

Cub Cadet®

OPERATOR'S MANUAL

Triple Rear Bagger
Model Nos. 49A70001100 & 49A70002100

Record Product Information

Before setting up and operating your new equipment, please locate the model plate and record the information in the area provided to the right. You can locate the model plate by looking on the outside of the bagger cover. This information will be necessary should you seek technical support via our web site, Customer Support Department or with a local authorized service dealer.

MODEL NUMBER

--	--	--	--	--	--	--	--	--	--	--	--

SERIAL NUMBER

--	--	--	--	--	--	--	--	--	--	--	--

Table of Contents

<i>Safe Operation Practices</i>	2	<i>Warranty</i>	10
<i>Contents of Carton</i>	4	<i>Español</i>	11
<i>Assembly & Installation</i>	6	<i>Français</i>	21
<i>Operation</i>	9		

⚠ WARNING

Read and follow all safety rules and instructions in this manual before attempting to operate this attachment. Failure to comply with these instructions may result in personal injury.

⚠ WARNING

California Proposition 65

Engine Exhaust, some of its constituents, and certain vehicle components contain or emit chemicals known to the State of California to cause cancer and birth defects.

NOTE: This Operator's Manual covers several models. Features may vary by model. Not all features in this manual are applicable to all models and the model depicted may differ from yours.



SAFE OPERATION PRACTICES

⚠ WARNING

⚠ This symbol points out important safety instructions which, if not followed, could endanger the personal safety and/or property of yourself and others. Read and follow all instructions in this manual before attempting to operate this tractor. Failure to comply with these instructions may result in personal injury. When you see this symbol. **HEED ITS WARNING!**

⚠ DANGER

This attachment was built to be operated according to the safe operation practices in this manual. Carelessness or error on the part of the operator can result in serious injury. Tractors are capable of amputating hands and feet and throwing objects. Failure to observe the following safety instructions, as well as the safety instructions provided with your tractor, could result in serious injury or death.

General Operation

1. Read, understand and follow all instructions on your equipment and in their manuals before attempting to assemble and operate. Keep this manual in a safe place for future and regular reference and for ordering replacement parts.
2. To help avoid blade contact or a thrown object injury, keep bystanders, helpers, children and pets at least 75 feet from the tractor while it is in operation. Stop tractor if anyone enters the area.
3. Thoroughly inspect the area where the equipment is to be used. Remove all stones, sticks, wire, bones, toys and other foreign objects which could be picked up and thrown by the blade(s). Thrown objects can cause serious personal injury.
4. Always wear safety glasses or safety goggles during operation and while performing an adjustment or repair to protect your eyes. Thrown objects which ricochet can cause serious injury to the eyes.
5. Do not operate the tractor without the discharge cover or entire grass catcher in its proper place. A missing or damaged discharge cover or grass bag attachment component may result in thrown objects or blade contact injuries.
6. Do not put hands or feet near rotating parts or under the cutting deck. Contact with the blade(s) can amputate hands and feet.
7. Shut off tractor's engine and wait for blades to come to a complete stop before unclogging tractor's discharge opening or bagger parts.
8. Slow down before turning. Operate the tractor smoothly. Avoid erratic operation and excessive speed. Be aware that a grass catcher attachment can affect the handling characteristics of your tractor.
9. Disengage blade(s), set parking brake, stop engine and wait until the blade(s) come to a complete stop before opening bagger attachment's top cover, removing grass catcher, emptying grass, unclogging chute, removing any grass or debris or making any adjustments. Never leave a running tractor unattended. Always turn off blade(s), place transmission in neutral, set parking brake, stop engine and remove key before dismounting.
10. Your tractor is designed to cut normal residential grass. Do not attempt to mow through unusually tall, dry grass (e.g., pasture) or piles of dry leaves. Dry grass or leaves may contact the engine exhaust and/or build up on the tractor deck presenting a potential fire hazard.
11. If situations occur which are not covered in this manual, use care and good judgment. Contact your customer service representative for assistance.



Slope Operation

Slopes are a major factor related to loss of control and tip-over accidents which can result in severe injury or death. Attachments can also affect the stability of the tractor. All slopes require extra caution.

For your safety, use the slope gauge included as part of this manual to estimate the angle of slopes before operating this tractor on a sloped or hilly area. If the slope is greater than 10 degrees or 17 percent as shown on the slope gauge, do not operate the tractor with the grass bag attachment installed on that area or serious injury could result.

Safety Symbols

This table depicts and describes safety symbols that may appear on this product. Read, understand and follow all instructions on the tractor before attempting to assemble and operate.

Symbol	Description
	READ THE OPERATOR'S MANUAL(S) Read, understand and follow all instructions in the manual(s) before attempting to assemble and operate.
	STOP Turn OFF the engine before opening the bagger cover.

⚠ WARNING

Your Responsibility — Restrict the use of this tractor to persons who read, understand and follow the warnings and instructions in this manual and on the tractor. SAVE THESE INSTRUCTIONS!

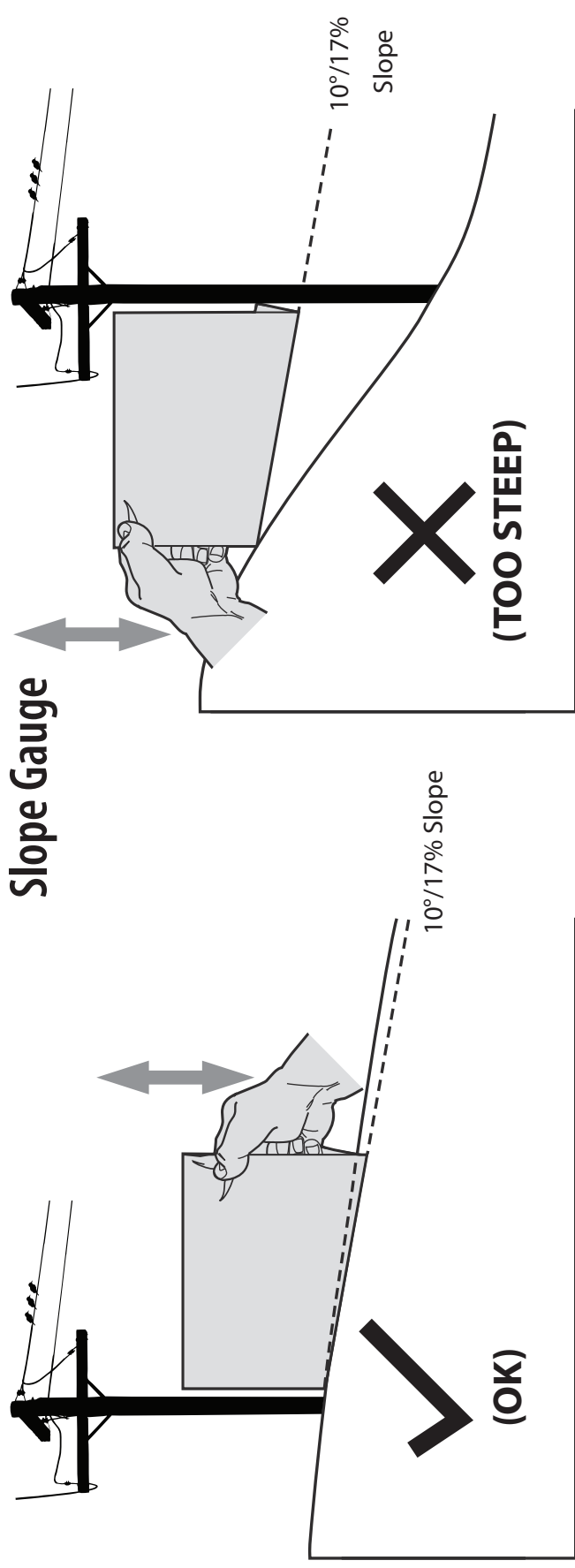
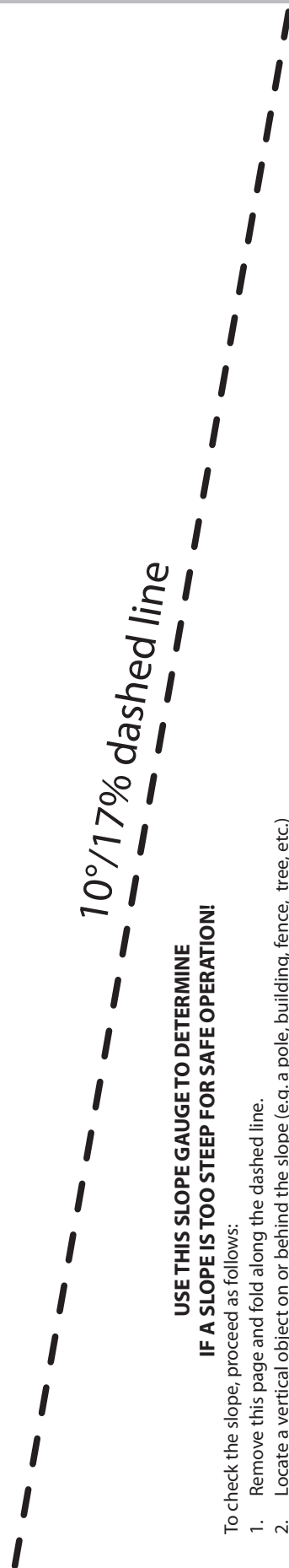


Figure 1

Figure 2



**USE THIS SLOPE GAUGE TO DETERMINE
IF A SLOPE IS TOO STEEP FOR SAFE OPERATION!**

To check the slope, proceed as follows:

1. Remove this page and fold along the dashed line.
2. Locate a vertical object on or behind the slope (e.g. a pole, building, fence, tree, etc.)
3. Align either side of the slope gauge with the object (See Figure 1 and Figure 2).
4. Adjust gauge up or down until the left corner touches the slope (See Figure 1 and Figure 2).
5. If there is a gap below the gauge, the slope is too steep for safe operation (See Figure 2 above).

▲ WARNING

Slopes are a major factor related to tip-over and roll-over accidents which can result in severe injury or death. DO NOT operate tractor on slopes in excess of 10 degrees/17 percent. All slopes require extra caution. If you cannot back up the slope or if you feel uneasy on it, do not mow it. Always mow up and down slopes, never across the face of slopes.

CONTENTS OF CARTON

Thank You

Thank you for purchasing a bagging attachment. It was carefully engineered to provide excellent performance when properly operated and maintained.

Please read this entire manual prior to operating the equipment. It instructs you how to safely and easily set up, operate and maintain your equipment. Please be sure that you, and any other persons who will operate the machine, carefully follow the recommended safety practices at all times. Failure to do so could result in personal injury or property damage.

All information in this manual is relative to the most recent product information available at the time of printing. Review this manual frequently to familiarize yourself with the equipment, its features and operation. Please be aware that this Operator's Manual may cover a range of product specifications for various models. Characteristics and features discussed and/or illustrated in this manual may not be applicable to all models. We reserve the right to change product specifications, designs and equipment without notice and without incurring obligation.

If you have any problems or questions concerning this equipment, phone your local dealer or contact us directly. We want to ensure your complete satisfaction at all times.

Throughout this manual, all references to *right* and *left* side of the machine are observed from the operating position.

48" Triple Bagger

Before beginning installation, remove all parts from the carton to make sure everything is present. Carton contents are listed below and shown in Figure 1. The hardware pack(s) included in this kit are detailed at the end of this section.

- Boot Assembly - 819-011300
- Grass Bag Assembly (3) - 664-05104
- Vertical Bagger Support - 683-04519C
- Hanger Assembly - 683-04498B
- End Plugs (6) - 735-0246A (pre-installed)
- Bagger Cover - 631-06539
- Bagger Screen - 731-06504
- Upper Chute Support - 731-17272
- Strut Bracket (2) - 789-04278
- Lower Bracket - 789-04279
- Upper Bracket - 789-04458
- Deflector - 731-18471
- Hose - 764-05275
- Hinge Pin - 711-05079
- Keeper Bracket - 689-02519
- Mounting Plate - 689-02559
- RZT Bagger Weight - 719-04271A
- Weight Plates (3) - 789-02137
- Weight Hanger Bracket Left - 789-04077
- Weight Hanger Bracket Right - 789-04078
- Hardware Pack - 689-02619
- Deflector Hardware Pack - 689-02299

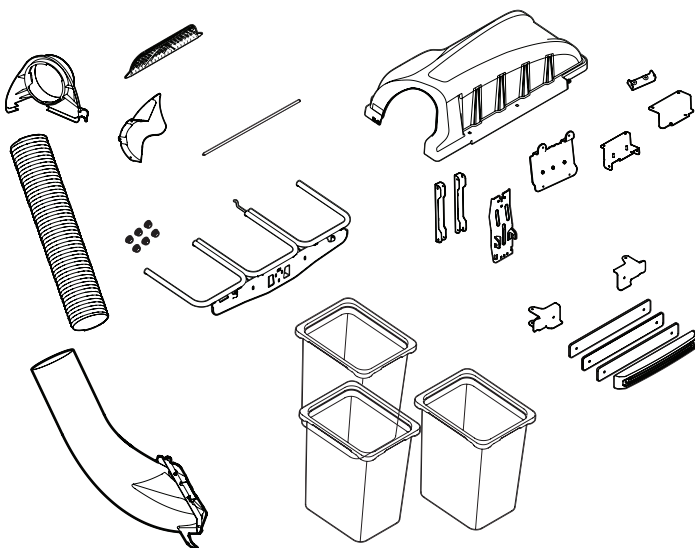


Figure 1

54"/60" Triple Bagger

Before beginning installation, remove all parts from the carton to make sure everything is present. Carton contents are listed below and shown in Figure 2. The hardware pack(s) included in this kit are detailed at the end of this section.

- Boot Assembly - 819-011280
- Grass Bag Assembly (3) - 664-05104
- Vertical Bagger Support - 683-04519C
- Hanger Assembly - 683-04498B
- End Plugs (6) - 735-0246A (pre-installed)
- Bagger Cover - 631-06539
- Bagger Screen - 731-06504
- Upper Chute Support - 731-17272
- Strut Bracket (2) - 789-04278
- Lower Bracket - 789-04279
- Upper Bracket - 789-04458
- Deflector - 731-18471
- Hose - 764-05275
- Hinge Pin - 711-05079
- Keeper Bracket - 689-02519
- Mounting Plate - 689-02559
- RZT Bagger Weight - 719-04271A
- Weight Plates (3) - 789-02137
- Weight Hanger Bracket Left - 789-04077
- Weight Hanger Bracket Right - 789-04078
- Hardware Pack - 689-02619
- Deflector Hardware Pack - 689-02299

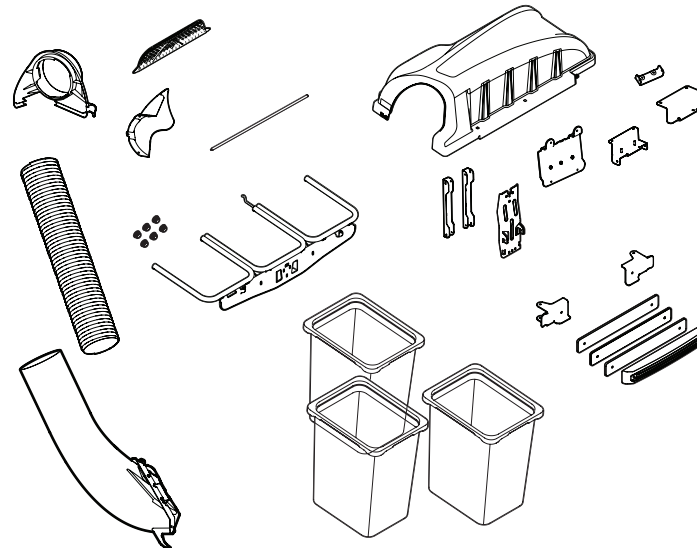


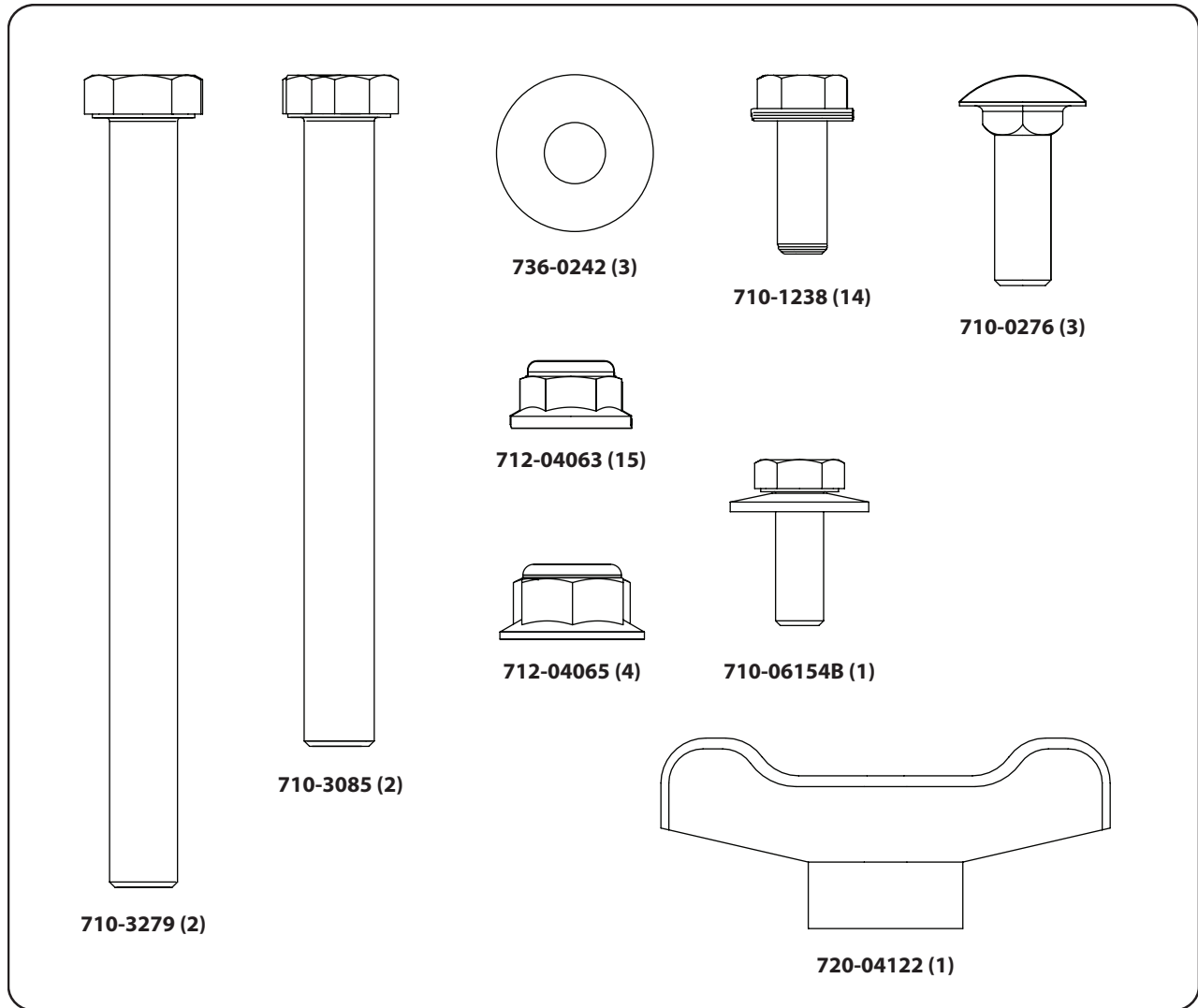
Figure 2

CONTENTS OF CARTON

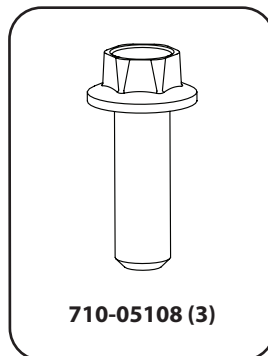
Contents of Hardware Pack

Please check your hardware packs against the illustrations below. The quantities for each item are listed in parentheses.

Hardware Pack 689-02619



Hardware Pack 689-02299



ASSEMBLY & INSTALLATION

NOTE: References to left, right, front and rear of the tractor are from the operator's position, unless otherwise stated.

- Before assembly, place the tractor on a firm, level surface, disengage the PTO, stop the tractor engine and set the parking brake.

Assemble Mounting Plate & Strut Brackets

1. Place the two strut brackets (789-04278) facedown on a stable work surface, as shown in Figure 3.

NOTE: Slots on strut brackets should be faced to the outside, while smaller holes should be facing in.

2. Align mounting plate (689-02559) to strut brackets with flanges curving inward and solid flange lined up with smaller holes along the bottom of strut brackets. See Figure 3.

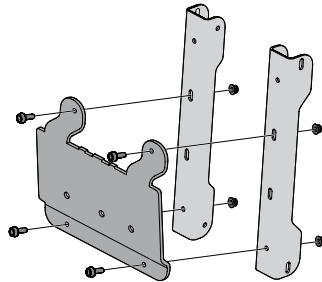


Figure 3

3. Secure mounting plate and strut brackets with four hex head screws (710-1238) and four lock nuts (712-04063) from hardware pack 689-02619. See Figure 3.
4. Set assembly aside for installation later in these instructions.

Install Brackets on Tractor Frame

NOTE: When assembling these mounting brackets, it is best to not fully tighten the brackets at this time. This will facilitate the mounting process in later steps, which will then require fully tightening this mounting assembly.

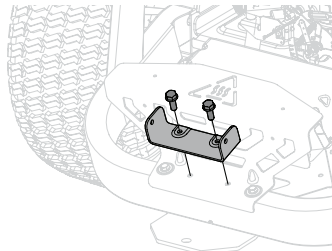


Figure 4

Install lower bracket as follows:

1. Align lower bracket (789-04279) with the holes on the lower rear tube of tractor frame with side flanges pointing up, secure with two self-tapping hex head screws (710-1238). See Figure 4.

NOTE: Two bolts should be pre-installed on the tractor. These can be re-used. If these bolts are not pre-installed, use provided bolts to secure the bracket to the two inner rivnuts on muffler bracket.

Install upper bracket as follows:

1. Working from the inside out, align keeper bracket (689-02519) with upper rear tube of tractor frame, sliding weld pins into existing holes on underside of tube. See (1) in Figure 5.

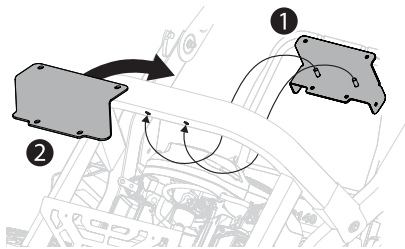


Figure 5

2. Working from outside in, align upper bracket (789-04458) with upper rear tube of tractor frame and keeper bracket, aligning upper and lower holes of both brackets. See (2) in Figure 5.

3. Holding both brackets in place, loosely secure assembly around frame tube with four hex head screws (710-1238) and four lock nuts (712-04063). See Figure 6.

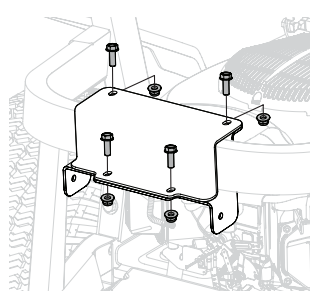


Figure 6

4. Once aligned, tighten all of the hardware installed at this time.

Install Mounting Plate/Strut Bracket Assembly

1. Install mounting plate/strut bracket assembly onto lower bracket previously attached to frame by aligning interior holes on struts with holes on upright flanges of lower bracket.
2. Working from inside-out, secure mounting plate/strut bracket assembly to lower bracket with two hex head screws (710-1238) and two lock nuts (712-04063). See (1) in Figure 7.
3. Swing upper arms of mounting plate/strut bracket assembly toward tractor frame, aligning outside slots with holes on downward flanges of keeper bracket previously attached to frame. See (2) in Figure 7.
4. Working from outside-in, secure mounting plate/strut bracket assembly to keeper bracket with two hex head screws (710-1238) and two lock nuts (712-04063). See Figure 8.

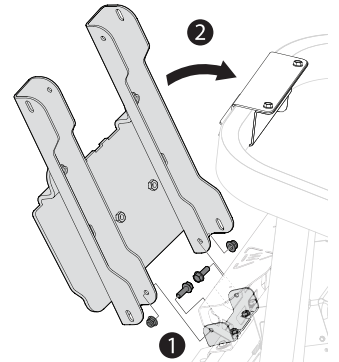


Figure 7

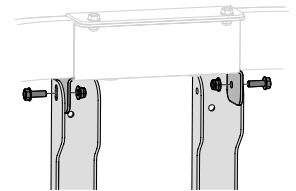


Figure 8

Install Vertical Bagger Support

NOTE: This manual covers various bagger configurations. Please follow the instructions applicable to your machine.

1. Using Figure 9, locate the correct mounting hole location on the mounting plate for your tractor.
2. Install the vertical bagger support (683-04519C) onto the mounting assembly on the tractor by hooking it over the mounting assembly, as shown in Figure 10.
3. Secure the vertical bagger support to the mounting assembly using a hex bolt (710-06154B) from hardware pack 689-02619. See Figure 10.

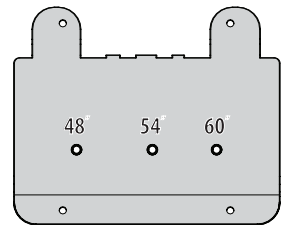


Figure 9

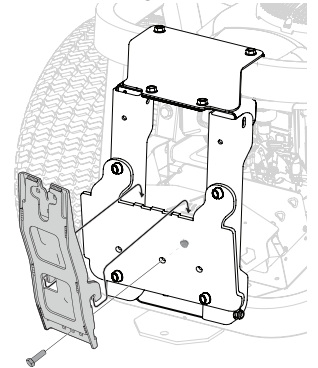


Figure 10

Install Hanger Assembly

1. Install and secure the hanger assembly (683-04498B) onto the vertical bagger support using three carriage bolts (710-0276), three cup washers (736-0242) and three flange lock nuts (712-04063) from hardware pack 689-02619. See Figure 11.

NOTE: Cup washers should be placed on same side as flange lock nuts (towards frame).

NOTE: The carriage bolts (710-0276), from hardware pack 689-02619, go in the top holes with the nuts facing the engine. The hex bolt (710-1238), from the same hardware pack, goes in the bottom hole.

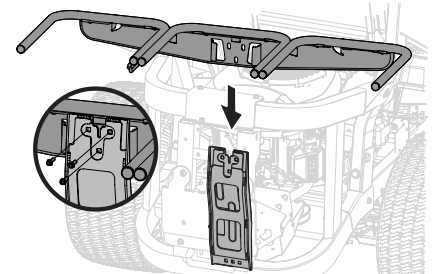


Figure 11

ASSEMBLY & INSTALLATION

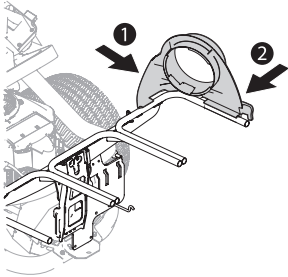


Figure 12

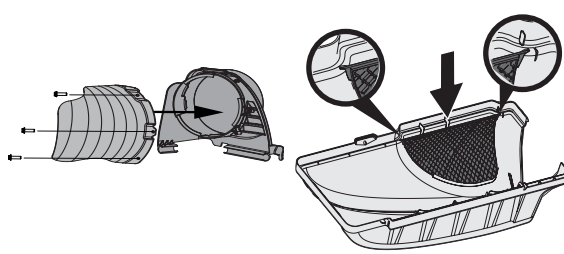


Figure 13

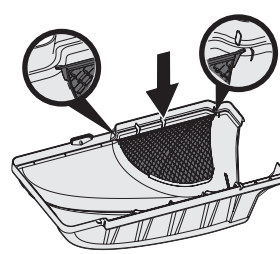


Figure 14

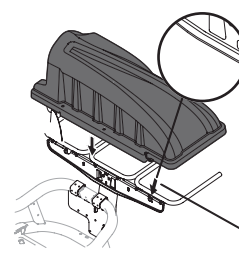


Figure 15

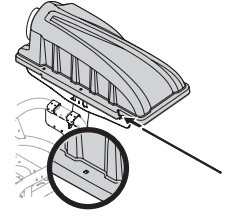


Figure 16

Install Top Bagger Components

With the mounting brackets assembled and in place on the tractor, follow these steps to assemble the remaining bagger components.

1. **If not already installed by the factory**, snap the vent cover into the holes found on the chute support assembly.
2. Snap the upper chute support (731-17272) in place by first clipping the side portion onto the hanger assembly rail (1) as shown in Figure 12.
3. Snap the front side of the upper chute support to the hanger assembly rail (2) as shown in Figure 12.
4. Attach the deflector (731-18471) to the upper chute support using the three (3) screws supplied in hardware pack 689-02299. See Figure 13.
5. If not already installed by the factory, install the bagger screen (731-06504) into the bagger cover (631-06539) by first inserting one end into the corresponding cutout mounting hole. Make sure to feed screen under lip, as shown in Figure 14.

6. Install the bagger cover onto the hanger assembly, as seen in Figure 15. The cover goes inside the two mounting tabs.
7. Slide the hinge pin (711-05079) into the hole located on the mounting tab, as shown in Figure 16. Use the cut-out windows (see inset in Figure 16) to line up the hinge pin on the other side and push pin all the way in until it reaches the end-stop. At this point the pin clips into place and is secured by a tab in the bagger cover.

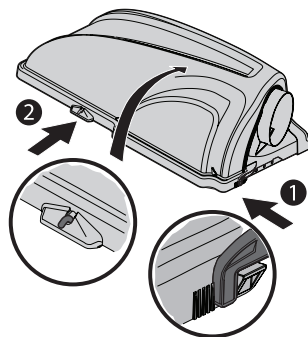


Figure 17

8. Open hood by pushing in on the rear, right-side tab with your right hand (1), and lifting the cover with your left hand in the center rear of the bagger cover (2) as shown in Figure 17.
9. Install all three bag assemblies (664-05104) onto the hanger assembly by inserting the front edge in first (1), and then setting the back edge down until it fits into the assembly (2), as shown in Figure 18.

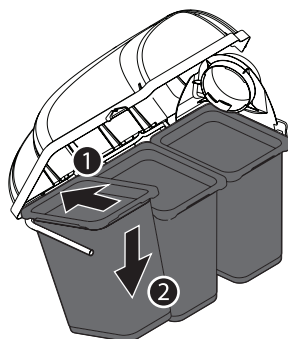


Figure 18

Installing the Boot Assembly - 48" Triple Bagger

1. With the tractor's outer and inner discharge chutes raised up and held open (1), install the boot assembly (819-011300) by placing the hole on the boot assembly bracket on the tab located on the top, right rear of the deck (2), as shown in Figure 19.

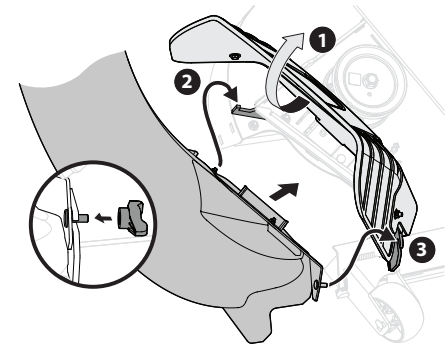


Figure 19

2. Pivot the boot assembly forward, sliding under the discharge chutes raised in Step 2, until the pin on the boot assembly bracket aligns with the slot on the deck. See (3) in Figure 19.

NOTE: You should hear a click when the center tab on the boot assembly bracket snaps into place on the deck.

3. Secure the boot assembly to the cutting deck using wing knob (720-04122) from hardware pack 689-02619. See inset of Figure 19.

NOTE: The inner and outer spring-loaded discharge chutes will remain propped on the boot assembly bracket, creating a seal between the deck and the boot assembly.

Installing the Boot Assembly - 54"/60" Triple Bagger

1. Raise the deck to its highest position.
2. With the tractor's outer and inner discharge chutes raised up and held open (1), install the boot assembly (819-011280) by placing the hole on the boot assembly bracket on the tab located on the top, right rear of the deck (2), as shown in Figure 20.

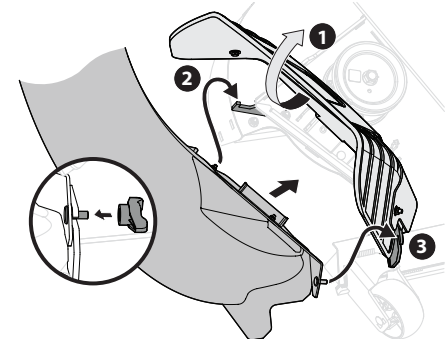


Figure 20

3. Pivot the boot assembly forward, sliding under the discharge chutes raised in Step 2, until the pin on the boot assembly bracket aligns with the slot on the deck. See (3) in Figure 20.

NOTE: You should hear a click when the center tab on the boot assembly bracket snaps into place on the deck.

4. Secure the boot assembly to the cutting deck using wing knob (720-04122) from hardware pack 689-02619. See inset of Figure 20.

NOTE: The inner and outer spring-loaded discharge chutes will remain propped on the boot assembly bracket, creating a seal between the deck and the boot assembly.

ASSEMBLY & INSTALLATION

Installing the Hose

1. Thread the upper end of the hose (764-05275) securely into the upper chute support. There are two tabs on the lower inside part of the upper chute support to allow for secure threading. See Figure 21.

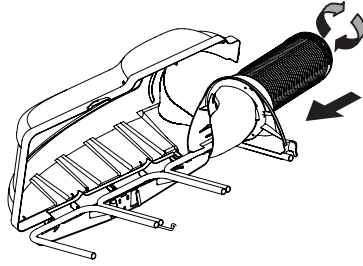


Figure 21

NOTE: The hose and upper chute support are **left-hand threaded**. Thread counterclockwise until secure.

2. Slide the hose over the boot assembly mounted on the cutting deck, as shown in Figure 22.
3. Make sure the connection is secure and there are no gaps between the hose and the boot assembly.
4. If open, close the grass catcher cover prior to mowing.

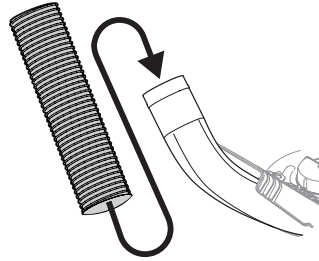


Figure 22

Install The Counter Weight

⚠ WARNING

This front-weight kit is required when operating any compatible zero-turn tractor models equipped with a grass collector. Failure to install this kit may result in serious injury or death.

⚠ WARNING

Before beginning installation, place the zero-turn tractor on a firm and level surface, set the parking brake, place the PTO in the disengaged (OFF) position, stop the motor and remove the ignition key to prevent unintended starting.

1. Attach the RZT bagger weight (719-04271A) and three weight plates (789-02137) to the weight hanger brackets (Left - 789-04077, Right - 789-04078) with two 3/8" hex head capscrews (710-3085) and two nuts (712-04065) as shown in Figure 23.
2. Visually center the weight bar assembly on the tractor and using two 7/16" hex head capscrews (710-3279) and two nuts (712-04065) secure the counter weight assembly to the tractor as shown in Figure 24.

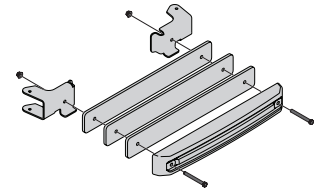


Figure 23

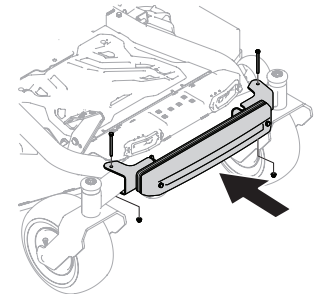


Figure 24

OPERATION

Triple Bagger Usage

NOTE: When all grass bags are full, place the tractor on a firm, level surface, disengage the PTO, turn the tractor engine off and set the parking brake.

1. Open hood by pushing in on the rear, right-side tab with your right hand (1), and lifting the cover with your left hand in the center rear of the bagger cover (2) as shown in Figure 29.
2. Do not remove the hose assembly from the tractor.
3. Remove the three bag assemblies from the bag support brackets by lifting the front edge up first, and then sliding the back edge out and up until it is clear of the frame. See Figure 30.
4. Empty grass clippings at a proper disposal site, use the handle at the bottom of each grass bag. Holding the bag firmly, empty the contents.
5. Replace grass bags, close lid, restart your tractor, release parking brake and resume cutting your grass.

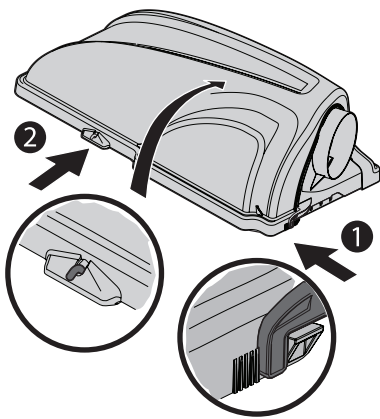


Figure 29

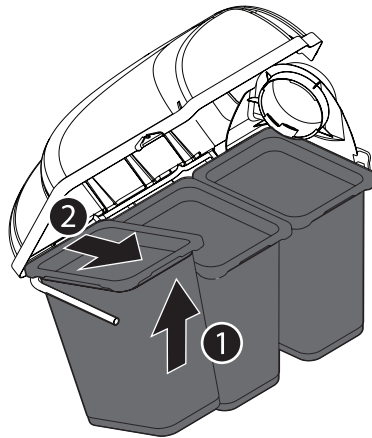


Figure 30

CUB CADET LLC

MANUFACTURER'S LIMITED WARRANTY

FOR SEPARATELY SOLD ATTACHMENTS AND ACCESSORIES

IMPORTANT: To obtain warranty coverage owner may be required to present an original proof of purchase and applicable maintenance records to the servicing dealer. Please see the operator's manual for information on required maintenance and service intervals.

The limited warranty set forth below is given by Cub Cadet LLC with respect to new merchandise purchased or leased and used in the United States and/or its territories and possessions, and by MTD Products Limited with respect to new merchandise purchased or leased and used in Canada and/or its territories and possessions (either entity respectively, "Cub Cadet").

Cub Cadet warrants this product (excluding its *Normal Wear Parts*, as described below) against defects in material and workmanship for a period of two (2) years commencing on the date of original retail purchase or lease and will, at its option, repair or replace, free of charge, any part found to be defective in materials or workmanship.

Normal Wear Parts are warranted to be free from defects in material and workmanship for a period of thirty (30) days from the date of original purchase or lease. Normal wear parts include, but are not limited to items such as: belts, blades, blade adapters, grass bags, rider deck wheels, seats and tires.

This limited warranty shall only apply if this product has been operated and maintained in accordance with the Operator's Manual furnished with the product, and has not been subject to misuse, abuse, neglect, accident, improper maintenance, alteration, vandalism, theft, fire, water or damage because of other peril or natural disaster. Damage resulting from the installation or use of any part, accessory or attachment not approved by Cub Cadet for use with the product(s) covered by this manual will void your warranty as to any resulting damage. In addition, Cub Cadet may deny warranty coverage if the hour meter, or any part thereof, is altered, modified, disconnected or otherwise tampered with.

HOW TO OBTAIN SERVICE: Warranty service is available, WITH PROOF OF PURCHASE AND APPLICABLE MAINTENANCE RECORDS, through your local authorized service dealer. To locate the dealer in your area:

In the U.S.A.

Check your Yellow Pages, or contact Cub Cadet LLC at P.O. Box 361131, Cleveland, Ohio 44136-0019, call 1-877-282- 8684 or log on to our website at www.cubcadet.com.

In Canada

Contact MTD Products Limited, Kitchener, ON N2G 4J1, call 1-800-668-1238 or log on to our website at www.mtdcanada.com.

Without limiting the foregoing, this limited warranty does not provide coverage in the following cases:

- a. Routine maintenance items such as lubricants, filters, blade sharpening, tune-ups, brake adjustments, clutch adjustments, deck adjustments, and normal deterioration of the exterior finish due to use or exposure.
- b. Service completed by someone other than an authorized service dealer.
- c. Cub Cadet does not extend any warranty for products sold or exported outside of the United States and/or Canada, and their respective possessions and territories, except those sold through Cub Cadet's authorized channels of export distribution.
- d. Replacement parts and/or accessories that are not genuine Cub Cadet parts.
- e. Transportation charges and service calls.
- f. Commercial or Institutional Use.

There are no implied warranties, including without limitation any implied warranty of merchantability or fitness for a particular purpose. No warranties shall apply after the applicable period of express written warranty above. No other express warranties beyond those mentioned above, given by any person or entity, including a dealer or retailer, with respect to any product, shall bind Cub Cadet. The exclusive remedy is repair or replacement of the product as set forth above.

The terms of this warranty provide the sole and exclusive remedy arising from the sale and/or lease of the products covered hereby. Cub Cadet shall not be liable for any incidental or consequential loss or damage including, without limitation, expenses incurred for substitute or replacement lawn care services or for rental expenses to temporarily replace a warranted product.

Some jurisdictions do not allow the exclusion or limitation of incidental or consequential damages, or limitations on how long an implied warranty lasts, so the above exclusions or limitations may not apply to you.

In no event shall recovery of any kind be greater than the amount of the purchase price of the product sold. **Alteration of safety features of the product shall void this warranty.** You assume the risk and liability for loss, damage, or injury to you and your property and/or to others and their property arising out of the misuse or inability to use the product.

This limited warranty shall not extend to anyone other than the original purchaser or to the person for whom it was purchased as a gift.

HOW LOCAL LAWS RELATE TO THIS WARRANTY: This limited warranty gives you specific legal rights, and you may also have other rights that vary in different jurisdictions.

Cub Cadet LLC, P.O. BOX 361131 CLEVELAND, OHIO 44136-0019, Phone: 1-877-282-8684
MTD Products Limited, Kitchener, ON N2G 4J1, Phone: 1-800-668-1238

Cub Cadet®

MANUAL DEL OPERADOR

Embolsadora posterior triple Modelo N.º 49A70001100 y 49A70002100

Registro de Información del Producto

Antes de configurar y hacer funcionar su equipo nuevo, por favor localice la placa de modelo y registre la información en el espacio de la derecha. Podrá localizar la placa de modelo en la parte exterior de la cubierta de la embolsadora. Necesitará esta información si tiene que solicitar soporte técnico a través de nuestro sitio web, del Departamento de atención al cliente, o de un distribuidor local de servicio autorizado.

NÚMERO DE MODELO

--	--	--	--	--	--	--	--	--	--	--	--

NÚMERO DE SERIE

--	--	--	--	--	--	--	--	--	--	--	--

Índice

<i>Medidas de seguridad</i>	12	<i>Funcionamiento</i>	19
<i>Contenido de la caja</i>	14	<i>Garantía</i>	20
<i>Montaje e Instalación</i>	16	<i>Français</i>	21

⚠ ADVERTENCIA

Lea y siga todas las reglas e instrucciones de seguridad de este manual antes de intentar operar este accesorio. Si no sigue estas instrucciones, se pueden provocar lesiones personales.

⚠ ADVERTENCIA

Proposición 65 de California

El escape del motor, algunos de sus componentes y algunos componentes del vehículo contienen o liberan sustancias químicas que el estado de California considera que pueden producir cáncer y defectos de nacimiento.

NOTA: Este Manual del Operador abarca numerosos modelos. Las características pueden variar según los modelos. No todas las características que se incluyen en este manual se aplican a todos los modelos y el modelo que se ilustra aquí puede diferir del suyo.

MEDIDAS DE SEGURIDAD

▲ ADVERTENCIA

▲ Este símbolo indica instrucciones de seguridad importantes que, de no seguirse, podrían poner en peligro la seguridad personal y/o la propiedad suya y de terceros. Lea y cumpla todas las instrucciones de este manual antes de intentar hacer funcionar esta tractora. Si no sigue estas instrucciones, se pueden provocar lesiones personales. Cuando vea este símbolo. ¡TENGA EN CUENTA LA ADVERTENCIA!

▲ ADVERTENCIA

Este accesorio está diseñado para ser usado respetando las normas de seguridad contenidas en este manual. Un descuido o un error por parte del operador puede ocasionar lesiones graves. Una cortadora es capaz de amputar manos y pies y de arrojar objetos con gran fuerza. Si no se respetan las siguientes instrucciones de seguridad junto con las instrucciones suministradas con la cortadora, se pueden ocasionar lesiones graves e incluso la muerte.

Funcionamiento general

1. Lea, comprenda y respete todas las instrucciones que figuran en el equipo y en los manuales antes de intentar armarlo y hacerlo funcionar. Guarde este manual en un lugar seguro para consultas futuras y periódicas, así como para solicitar repuestos.
2. Para ayudar a evitar una lesión por contacto con las cuchillas o con un objeto que sea arrojado, mantenga a los observadores, a los ayudantes, a niños y mascotas alejados a no menos de 75 pies de la cortadora mientras está funcionando. Pare la tractora si alguien ingresa a la zona.
3. Revise minuciosamente el área donde se va a usar el equipo. Saque todas las piedras, palos, cables, huesos, juguetes y demás objetos extraños que puedan ser recogidos y arrojados por las cuchilla(s). Los objetos arrojados por la tractora pueden producir lesiones personales graves.
4. Para protegerse los ojos, utilice siempre anteojos o antiparras de seguridad durante la operación o mientras realiza ajustes o reparaciones. Los objetos arrojados que rebotan pueden producir lesiones graves en los ojos.
5. Nunca opere la cortadora de césped si no está bien colocada la cubierta de descarga o el colector de césped completo. Si falta la cubierta de descarga o está dañada o un componente del accesorio de embolsadora falta, se pueden producir lesiones por contacto con la cuchilla o con objetos arrojados.
6. No ponga las manos ni los pies cerca de las piezas rotatorias ni debajo de la plataforma de corte. El contacto con las cuchilla(s) puede amputar manos y pies.
7. Apague el motor de la cortadora de césped y espere que las cuchillas se detengan totalmente antes de desbloquear la abertura de descarga de la cortadora o las piezas de la embolsadora.
8. Reduzca la velocidad antes de girar. Haga funcionar la tractora de manera uniforme. Evite que funcione de manera errática y a excesiva velocidad. Tenga en cuenta que el accesorio colector de césped puede afectar las características de manejo de su cortadora.
9. Desenganche la o las cuchilla(s), coloque el freno de mano, detenga el motor y espere hasta que las cuchillas se detengan totalmente antes de abrir la cubierta superior del accesorio embolsador, sacar el colector de césped, vaciar los recortes, desbloquear el canal, retirar cualquier residuo o desecho o realizar cualquier ajuste. Nunca deje la tractora encendida sin atención. Siempre desconecte las cuchillas, ponga la transmisión en punto muerto, ponga el freno de mano, detenga el motor y retire la llave antes de bajarse del vehículo.
10. Su tractora está diseñada para cortar césped residencial normal. No intente cortar césped demasiado crecido, seco (como un pastizal) ni pilas de hojas secas. El césped o las hojas secas pueden entrar en contacto con el escape del motor y/o acumularse en la plataforma de corte presentando un potencial peligro de incendio.
11. Si se presentan situaciones que no están previstas en este manual, tenga cuidado y use el sentido común. Póngase en contacto con su representante de atención al cliente para obtener ayuda.



Operación en pendientes

Las pendientes son un factor importante en los accidentes ocasionados por pérdida de control y vuelcos que pueden causar lesiones graves e incluso la muerte. Los accesorios también pueden afectar la estabilidad de la tractora. Todas las pendientes requieren precaución extra.

Para su seguridad, use el medidor de pendientes que se incluye como parte de este manual para calcular el ángulo de las pendientes antes de hacer funcionar la tractora en una zona accidentada. Si la pendiente aparece como mayor de 10 grados o 17 porcentaje en el medidor, no haga funcionar la cortadora con el accesorio para bolsas de césped en ese sector, pues podría causar lesiones graves.

Símbolos de seguridad

En esta tabla se presentan y describen los símbolos de seguridad que pueden aparecer en este producto. Lea, entienda y cumpla todas las instrucciones incluidas en la tractora antes de intentar realizar el montaje de la unidad y utilizarla.

Símbolo	Descripción
	LEER EL MANUAL DEL OPERADOR (S) Lea, entienda y cumpla todas las instrucciones incluidas en los manuales antes de realizar el montaje de la unidad y de utilizarla.
	DETENGA Apague el motor antes de abrir la cubierta de la embolsadora.

▲ ADVERTENCIA

Su Responsabilidad--Sólo permita que usen esta tractora eléctrica las personas que lean, comprendan y respeten las advertencias e instrucciones que aparecen en este manual y en la tractora.

¡GUARDE ESTAS INSTRUCCIONES!

Indicador de pendiente

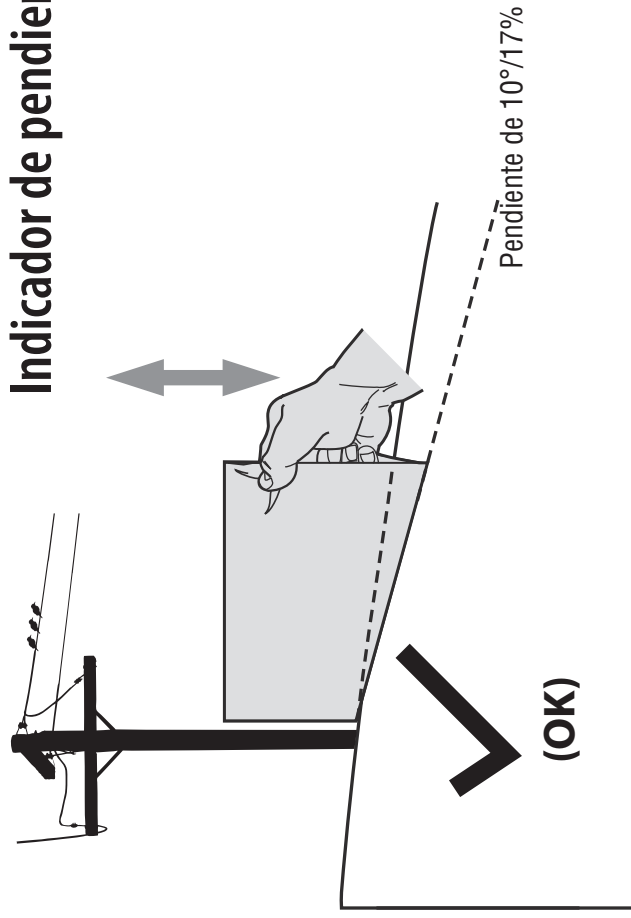


Figura 1

¡UTILICE ESTE INDICADOR DE PENDIENTE PARA DETERMINAR SI UNA PENDIENTE ES DEMASIADO EMPINADA PARA OPERAR CON SEGURIDAD!

Para comprobar la pendiente, proceda de la siguiente manera:

1. Retire esta página y pliéguela por la línea de guiones.
2. Ubique un objeto vertical que esté sobre la pendiente o detrás de la misma (por ejemplo, un poste, un edificio, un cerco, un árbol, etc.)
3. Alinee uno de los dos lados del indicador de pendiente con el objeto (vea las Figuras 1 y 2).
4. Ajuste el indicador hacia arriba o hacia abajo hasta que la esquina izquierda toque la pendiente (vea las Figuras 1 y 2).
5. Si hay una separación debajo del indicador, la pendiente es demasiado empinada para operar con seguridad (vea la Figura 2 anterior).

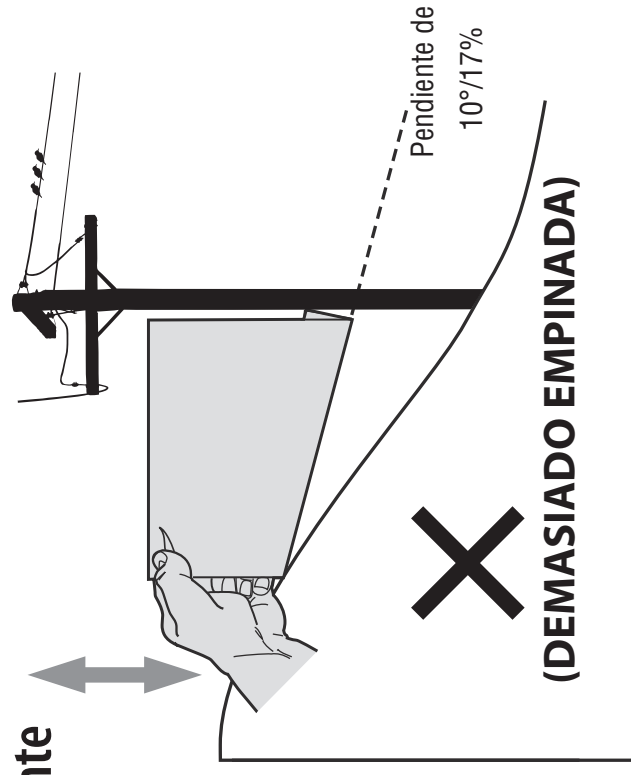


Figura 2

Línea de guiones a 10°/17%

▲ ADVERTENCIA

Las pendientes son un factor importante relacionado con accidentes por tumbos y vuelcos que pueden producir lesiones graves o la muerte. No utilice la tractora en pendientes de más de 10 grados/17 porcentaje. Todas las pendientes requieren precaución extra. Si no puede retroceder por la pendiente o si no se siente seguro, no realice ningún corte. Siempre corte hacia arriba y hacia abajo de las pendientes, nunca de manera transversal.

CONTENIDO DE LA CAJA

Muchas gracias

Gracias por comprar un accesorio de embolsado. Ha sido cuidadosamente diseñado para brindar excelente rendimiento si se lo hace funcionar y se lo mantiene correctamente.

Por favor lea todo este manual antes de hacer funcionar el equipo. El manual le indica cómo configurar, operar y mantener el equipo de manera fácil y segura. Por favor asegúrese de que usted, y cualquier otra persona que utilice la máquina, siga atentamente y en todo momento las medidas de seguridad recomendadas. De lo contrario, se podrían producir lesiones personales o daños materiales.

Toda la información contenida en este manual es relativa a la información de producto más reciente, disponible en el momento de la impresión. Revise el manual frecuentemente para familiarizarse con el equipo, sus características y funcionamiento. Por favor tenga en cuenta que este Manual del Operador puede abarcar una variedad de especificaciones de producto para diversos modelos. Es posible que las características y/o funciones incluidas y/o ilustradas en este manual no se apliquen a todos los modelos. Nos reservamos el derecho a modificar las especificaciones de producto, los diseños y equipos sin previo aviso y sin incurrir en responsabilidad por obligaciones de ningún tipo.

Si tiene algún problema o duda con respecto a este equipo, llame a su distribuidor local o comuníquese directamente con nosotros. Queremos garantizar su entera satisfacción en todo momento.

En este manual, todas las referencias al lado *derecho* e *izquierdo* de la máquina se hacen observándola desde la posición de operación.

Embolsadora triple de 48"

Antes de comenzar la instalación, retire todas las piezas de la caja para asegurarse de que tiene todo. El contenido de la caja aparece a continuación y se ilustra en la Figura 1. Los paquetes de herrajes incluidos en este kit se detallan al final de esta sección.

- Conjunto de maletero - 819-011300
- Conjunto de bolsas para césped (3) - 664-05104
- Soporte vertical de la embolsadora - 683-04519C
- Conjunto de colgador - 683-04498B
- Tapones de extremo (6) - 735-0246A (previamente instalados)
- Cubierta de la embolsadora - 631-06539
- Pantalla de la embolsadora - 731-06504
- Soporte de canal superior - 731-17272
- Soporte de puntal (2) - 789-04278
- Soporte inferior - 789-04279
- Soporte superior - 789-04458
- Deflector - 731-18471
- Manguera - 764-05275
- Pasador de bisagra - 711-05079
- Soporte del guardacorrea - 689-02519
- Placa de montaje - 689-02559
- Peso de la embolsadora RZT - 719-04271A
- Placas de peso (3) - 789-02137
- Soporte de colgador de pesas, izquierdo - 789-04077
- Soporte de colgador de pesas, derecho - 789-04078
- Paquete de herrajes - 689-02619
- Deflector, Paquete de herrajes - 689-02299

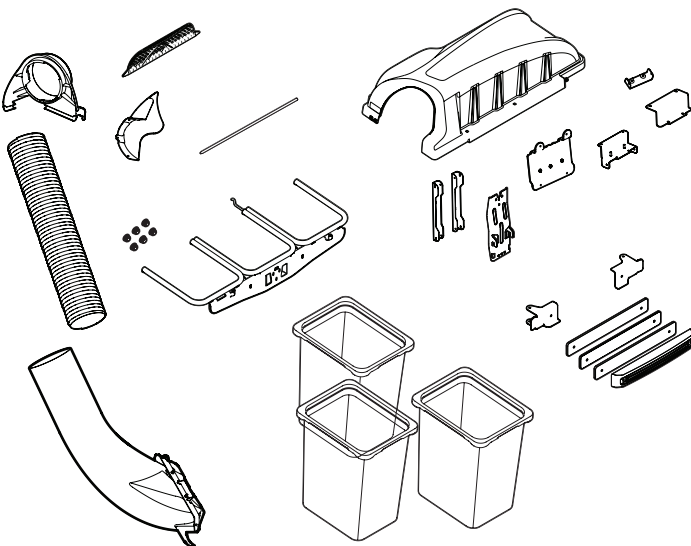


Figura 1

Embolsadora triple de 54"/60"

Antes de comenzar la instalación, retire todas las piezas de la caja para asegurarse de que tiene todo. El contenido de la caja aparece a continuación y se ilustra en la Figura 2. Los paquetes de herrajes incluidos en este kit se detallan al final de esta sección.

- Conjunto de maletero - 819-011280
- Conjunto de bolsas para césped (3) - 664-05104
- Soporte vertical de la embolsadora - 683-04519C
- Conjunto de colgador - 683-04498B
- Tapones de extremo (6) - 735-0246A (previamente instalados)
- Cubierta de la embolsadora - 631-06539
- Pantalla de la embolsadora - 731-06504
- Soporte de canal superior - 731-17272
- Soporte de puntal (2) - 789-04278
- Soporte inferior - 789-04279
- Soporte superior - 789-04458
- Deflector - 731-18471
- Manguera - 764-05275
- Pasador de bisagra - 711-05079
- Soporte del guardacorrea - 689-02519
- Placa de montaje - 689-02559
- Peso de la embolsadora RZT - 719-04271A
- Placas de peso (3) - 789-02137
- Soporte de colgador de pesas, izquierdo - 789-04077
- Soporte de colgador de pesas, derecho - 789-04078
- Paquete de herrajes - 689-02619
- Deflector, Paquete de herrajes - 689-02299

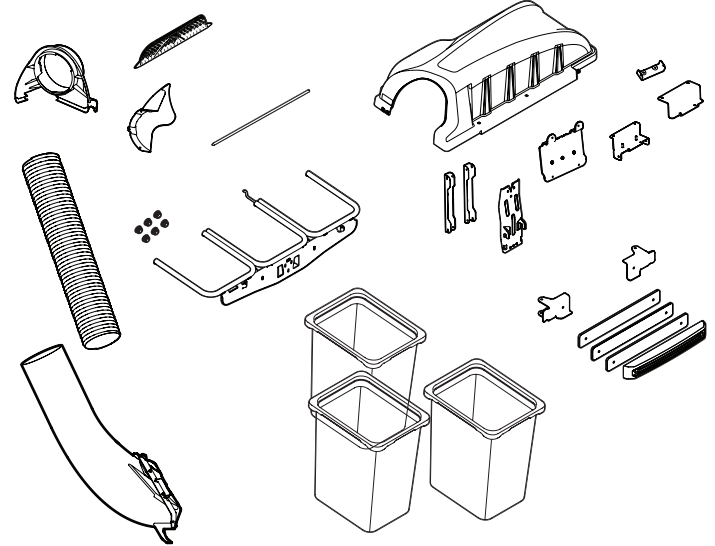


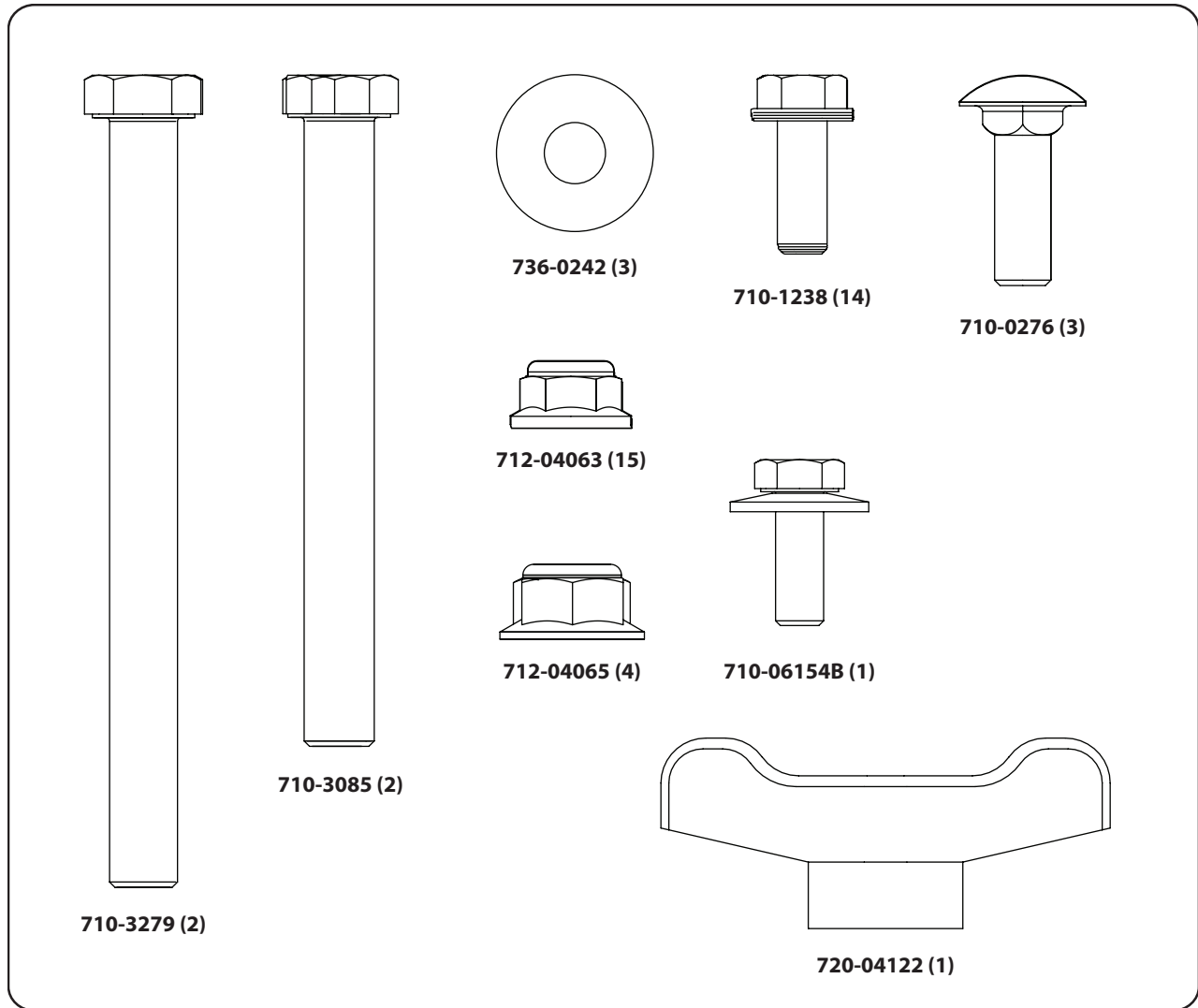
Figura 2

CONTENIDO DE LA CAJA

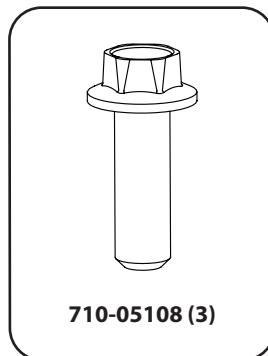
Contenido del paquete de herrajes

Por favor revise el contenido de los paquetes de herrajes con las ilustraciones siguientes. Las cantidades de cada elemento aparecen entre paréntesis.

Paquete de herrajes 689-02619



Paquete de herrajes 689-02299



MONTAJE E INSTALACIÓN

NOTA: Las referencias a la izquierda, derecha, parte delantera y trasera del tractor están desde la posición del operador, salvo indicación en contrario.

- Antes del montaje, coloque el tractor sobre una superficie firme y nivelada, desenganche la toma de fuerza PTO, detenga el motor del tractor y coloque el freno de mano.

Montaje de la placa de montaje y soportes del puntal

1. Coloque los dos soportes del puntal (789-04278) orientados hacia abajo, como se indica en la Figura 3.

NOTA: Las ranuras de los soportes del puntal deben quedar orientados hacia afuera, mientras que los orificios más pequeños deben quedar orientados hacia adentro.

2. Alinee la placa de montaje (689-02559) con los soportes del puntal con las bridas que se curvan hacia adentro y la brida sólida que queda alineada con los orificios más pequeños a lo largo de la base de los soportes del puntal. Consulte la Figura 3.

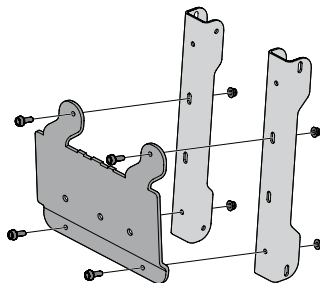


Figura 3

3. Asegure la placa de montaje y soportes del puntal con cuatro tornillos de cabeza hexagonal (710-1238) y cuatro tuercas de seguridad (712-04063) del paquete de herrajes 689-02619. Consulte la Figura 3.
4. Deje a un costado el conjunto para la instalación posterior como indican estas instrucciones.

Instale los soportes en el bastidor del tractor

NOTA: Al armar estos soportes de montaje, conviene no ajustar totalmente los soportes todavía. Esto facilitará el proceso de armado más adelante, cuando sea necesario ajustar a fondo este conjunto de montaje.

Instale el soporte inferior de la siguiente manera:

1. Alinee el soporte inferior (789-04279) con los orificios del tubo trasero inferior del bastidor del tractor con bridas laterales orientados hacia arriba, sujetos con dos tornillos autorroscantes (710-1238). Consulte la Figura 4.

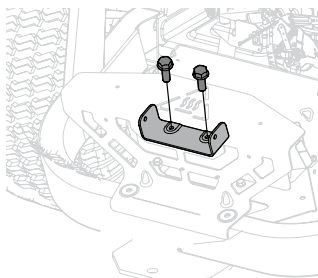


Figura 4

NOTA: Se deben instalar dos pernos previamente en el tractor. Se pueden reutilizar. Si estos pernos no se instalan previamente, use los pernos proporcionados para fijar el soporte a los dos remaches interiores del soporte del silenciador.

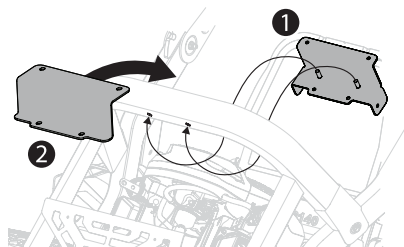


Figura 5

Instale el soporte superior de la siguiente manera:

1. Trabajando desde adentro hacia afuera, debe alinear el soporte del guardacorrea (689-02519) con el tubo trasero superior del bastidor del tractor, deslizando los pasadores de soldadura en los orificios existentes en la parte inferior del tubo. Consulte el punto (1) en la Figura 5.
2. Trabajando desde afuera hacia adentro, debe alinear el soporte superior (789-04458) con el tubo trasero superior del bastidor del tractor y el soporte del guardacorrea, alineando los orificios superiores e inferiores de ambos soportes. Consulte el punto (2) en la Figura 5.
3. Sujetando ambos soportes en su lugar, ajuste pero no totalmente el conjunto alrededor del tubo del bastidor con cuatro tornillos de cabeza hexagonal (710-1238) y cuatro tuercas de seguridad (712-04063). Consulte la Figura 6.

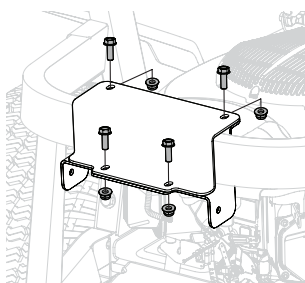


Figura 6

4. Una vez alineados, apriete todos los herrajes que se instalaron en este momento.

Instale el conjunto de placa de montaje/soporte del puntal

1. Instale el conjunto de placa de montaje/soporte del puntal en el soporte inferior previamente sujeto al bastidor alineando orificios interiores en los puntales con orificios en las bridas verticales del soporte inferior.
2. Trabajando desde adentro hacia afuera, sujete el conjunto de placa de montaje/soporte del puntal al soporte inferior con dos tornillos de cabeza hexagonal (710-1238) y dos tuercas de seguridad (712-04063). Consulte el punto (1) de la Figura 7.
3. Balancee los brazos superiores del conjunto de placa de montaje/soporte del puntal hacia el bastidor del tractor, alineando las ranuras exteriores con los orificios en las bridas hacia abajo del soporte del guardacorrea sujeto anteriormente al bastidor. Consulte el punto (2) en la Figura 7.
4. Trabajando desde afuera hacia adentro, sujete el conjunto de placa de montaje/soporte del puntal al soporte del guardacorrea con dos tornillos de cabeza hexagonal (710-1238) y dos tuercas de seguridad (712-04063). Consulte la Figura 8.

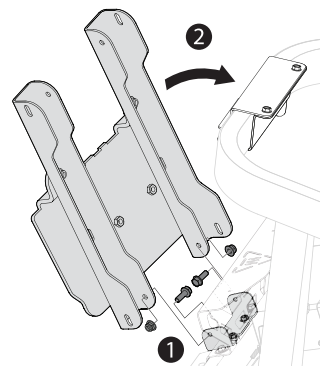


Figura 7

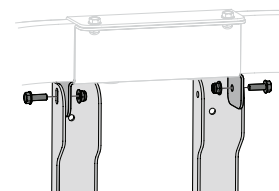


Figura 8

Coloque el soporte vertical de la embolsadora

NOTA: Este manual abarca diversas configuraciones de embolsadora. Siga las instrucciones aplicables a su máquina.

1. Usando la Figura 9, localice la ubicación correcta del orificio de montaje en la placa de montaje para su tractor.
2. Instale el soporte vertical de la embolsadora (683-04519C) en el conjunto de montaje sobre el tractor enganchándolo encima del conjunto de montaje tal como se muestra en la Figura 10.
3. Fije el soporte vertical de la embolsadora al conjunto de montaje con un perno hexagonal (710-06154B) del paquete de herrajes 689-02619. Consulte la Figura 10.

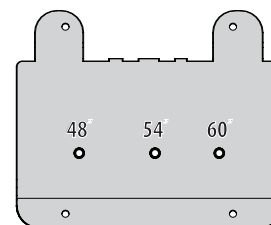


Figura 9

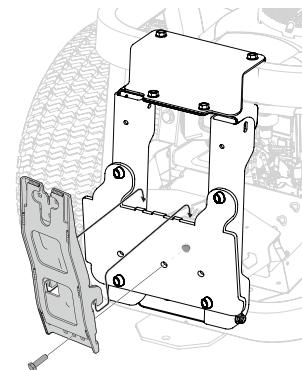


Figura 10

Instale el conjunto de colgador

1. Coloque y sujete el conjunto del colgador (683-04498B) en la ménsula de soporte vertical usando tres pernos de carro (710-0276), tres arandelas de cubeta (736-0242) y tres tuercas de seguridad con brida (712-04063) del paquete de herrajes 689-02619. Consulte la Figura 11.

NOTA: Las arandelas de copa deben colocarse en el mismo lado que las tuercas de bloqueo de la brida (hacia el marco).

NOTA: Los pernos de carro (710-0276), del paquete de herrajes 689-02619, van en los orificios superiores con las tuercas orientadas hacia el motor. El perno hexagonal (710-1238), del mismo paquete de herrajes, va en el orificio inferior.

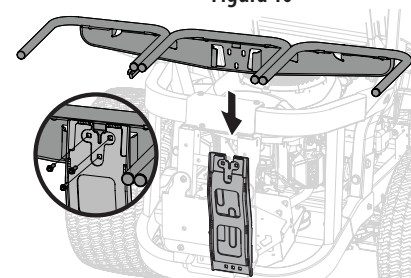


Figura 11

MONTAJE E INSTALACIÓN

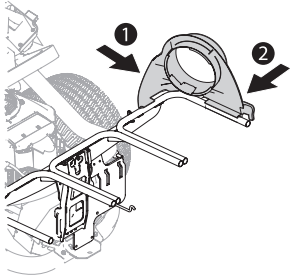


Figura 12

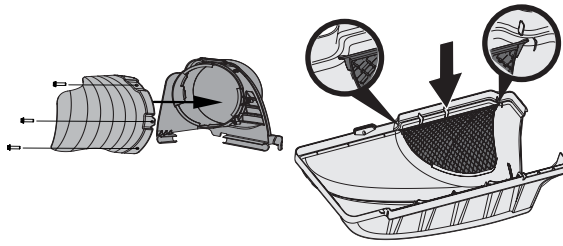


Figura 13

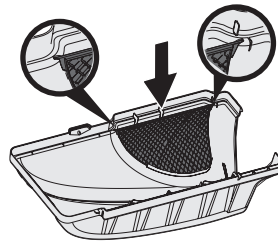


Figura 14

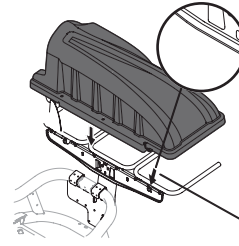


Figura 15

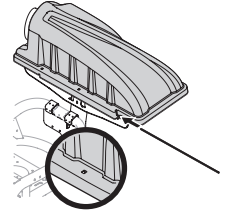


Figura 16

Coloque los componentes de la embolsadora superior

Con los soportes ensamblados y en su lugar en el tractor, siga estos pasos para ensamblar los componentes restantes de la embolsadora.

1. Si no se instaló ya de fábrica, coloque a presión la cubierta de ventilación en los orificios que se encuentran en el conjunto de soporte del canal.
2. Coloque el soporte del canal superior (731-17272) en su lugar primero sujetando la parte lateral al riel del conjunto de la embolsadora (1) como se indica en la Figura 12.
3. Calce a presión el lado delantero del soporte del canal superior al riel del conjunto del colgador (2), como se muestra en la Figura 12.
4. Sujete el deflector (731-18471) al soporte del canal superior usando los tres (3) tornillos proporcionados en el paquete de herrajes 689-02299. Consulte la Figura 13.
5. Si no viene ya instalada de fábrica, coloque la pantalla de la embolsadora (731-06504) en la cubierta de la misma (631-06539) insertando primero un extremo en el orificio de montaje de corte. Asegúrese de calzar la pantalla debajo del reborde, como se indica en la Figura 14.

6. Instale la cubierta de la embolsadora en el conjunto del colgador, como se ve en Figura 15. La cubierta va dentro de las dos lengüetas de montaje.

7. Deslice el pasador de bisagra (711-05079) en el orificio ubicado en la lengüeta de montaje, como se indica en la Figura 16. Use las ventanas recortadas (consulte el recuadro de la Figura 16) para alinear el pasador de bisagra del otro lado y empujelo hasta que llegue al tope. En este punto el pasador calza en su posición y queda asegurado por una lengüeta en la cubierta de la embolsadora.

8. Abra la cubierta empujando hacia adentro la lengüeta posterior derecha con la mano derecha (1), y levantando la cubierta con la mano izquierda en la parte posterior central de la cubierta de la embolsadora (2), como se indica en la Figura 17.

9. Coloque los tres conjuntos de bolsas (664-05104) en el conjunto de colgador insertando primero el borde delantero (1), y luego ajustando el borde posterior hacia abajo hasta que calce en el conjunto (2) como se muestra en la Figura 18.

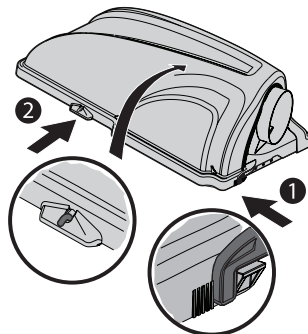


Figura 17

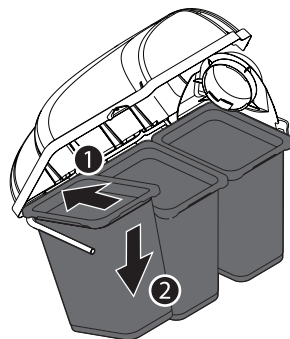


Figura 18

Instalación del conjunto de embolsadora - Embolsadora Triple de 48"

1. Con los canales de descarga exterior e interior del tractor elevados y abiertos (1), instale el conjunto del maletero (819-011300) ubicando el orificio del soporte del conjunto del maletero en la lengüeta que está en la parte superior derecha trasera de la plataforma (2), como se indica en la Figura 19.

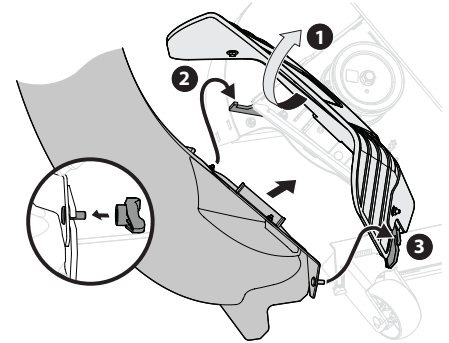


Figura 19

2. Gire el conjunto del maletero hacia adelante, deslizando debajo de los canales de descarga elevados en el Paso 2, hasta que el pasador del soporte del conjunto del maletero quede alineado con las ranuras de la plataforma. Consulte el punto (3) en la Figura 19.

NOTA: Debería escuchar un clic cuando la lengüeta central del soporte del conjunto del maletero encaja a presión en su lugar en la plataforma.

3. Sujete el conjunto del maletero a la plataforma de corte usando la perilla de aletas (720-04122) del paquete de herrajes 689-02619. Consulte el recuadro de la Figura 19.

NOTA: Los canales de descarga interior y exterior accionados por resorte quedarán insertados en el soporte del conjunto del maletero, creando un sello entre la plataforma y el conjunto del maletero.

Instalación del conjunto de maletero - Embolsadora Triple de 54"/60"

1. Eleve la plataforma a la posición más alta.
2. Con los canales de descarga exterior e interior del tractor elevados y abiertos (1), instale el conjunto del maletero (819-011280) ubicando el orificio del soporte del conjunto del maletero en la lengüeta que está en la parte superior derecha trasera de la plataforma (2), como se indica en la Figura 20.

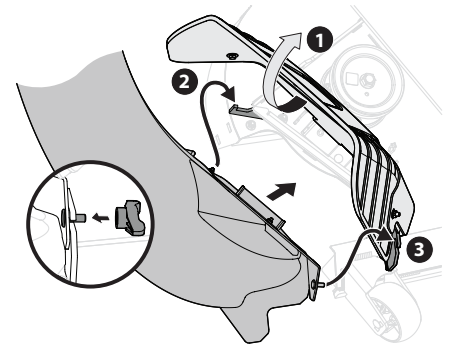


Figura 20

3. Gire el conjunto del maletero hacia adelante, deslizando debajo de los canales de descarga elevados en el Paso 2, hasta que el pasador del soporte del conjunto del maletero quede alineado con las ranuras de la plataforma. Consulte el punto (3) de la Figura 20.

NOTA: Debería escuchar un clic cuando la lengüeta central del soporte del conjunto del maletero encaja a presión en su lugar en la plataforma.

4. Sujete el conjunto del maletero a la plataforma de corte usando la perilla de aletas (720-04122) del paquete de herrajes 689-02619. Consulte el recuadro de la Figura 20.

NOTA: Los canales de descarga interior y exterior accionados por resorte quedarán insertados en el soporte del conjunto del maletero, creando un sello entre la plataforma y el conjunto del maletero.

MONTAJE E INSTALACIÓN

Instalación de la manguera

1. Enrosque el extremo superior de la manguera (764-05275) firmemente en el soporte del canal superior. Hay dos lengüetas en la parte interior baja del soporte del canal superior que permiten un enrosque seguro. Consulte la Figura 21.

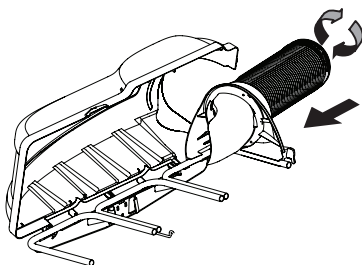


Figura 21

NOTE: La manguera y el soporte del canal superior se **enroscan hacia la izquierda**. Enrosque en sentido contrario a las agujas del reloj hasta asegurarlo.

2. Deslice la manguera sobre el conjunto del maletero montado en la plataforma de corte, como se ilustra en la Figura 22.
3. Asegúrese de que la conexión sea segura y de que no haya espacios entre la manguera y el canal del maletero.
4. Si está abierta, cierre la cubierta del colector de césped, previo al corte de césped.

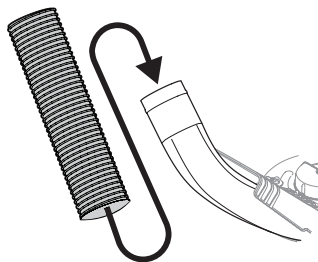


Figura 22

Instale el contrapeso

⚠ ADVERTENCIA

El kit de peso delantero se requiere cuando se operan modelos de tractor de giro cero compatibles equipados con un colector de césped. Si no se instala este kit se pueden provocar lesiones graves o la muerte.

⚠ ADVERTENCIA

Antes de comenzar la instalación, coloque el tractor de radio de giro cero sobre una superficie firme y nivelada, coloque el freno de mano, coloque la toma de fuerza (PTO) en la posición desconectada, pare el motor y quite la llave de encendido para impedir que lo arranquen accidentalmente.

1. Sujete el peso de la embolsadora RZT (719-04271A) y las tres placas de peso (789-02137) a los soportes de los colgadores de peso (Izquierdo - 789-04077, Derecho- 789-04078) con dos tornillos de cabeza hexagonal de 3/8" (710-3085) y dos tuercas (712-04065) como se indica en la Figura 23.
2. Centre visualmente el conjunto de barra de pesas en el tractor y con dos tornillos de cabeza hexagonal de 7/16" (710-3279) y dos tuercas (712-04065) sujete el conjunto de contrapeso al tractor como se indica en la Figura 24.

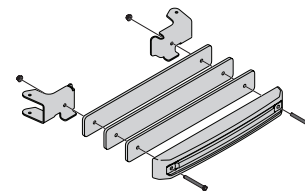


Figura 23

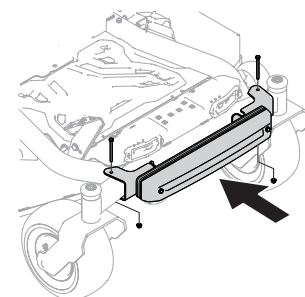


Figura 24

FUNCIONAMIENTO

Uso de la embolsadora triple

NOTA: Cuando todas las bolsas para césped estén llenas, coloque el tractor sobre una superficie firme y nivelada, desembrague la toma de fuerza (PTO), apague el motor del tractor y coloque el freno de mano.

1. Abra la cubierta empujando hacia adentro la lengüeta posterior derecha con la mano derecha (1), y levantando la cubierta con la mano izquierda en la parte posterior central de la cubierta de la embolsadora (2), como se indica en la Figura 29.
2. No extraiga del tractor el conjunto de tubo del canal.
3. Extraiga los tres conjuntos de bolsas de las ménsulas de soporte para bolsas, para lo cual debe levantar el borde delantero primero y luego deslizar el borde trasero hacia afuera y arriba hasta que se aleje del bastidor. Consulte la Figura 30.
4. Vacíe los recortes de césped en un predio de disposición adecuado, use la manija de abajo de cada bolsa de césped. Para vaciar el contenido sostenga firmemente la bolsa.
5. Vuelva a colocar las bolsas para césped, cierre la tapa, vuelva a arrancar el tractor, saque el freno de mano y reanude el corte de césped.

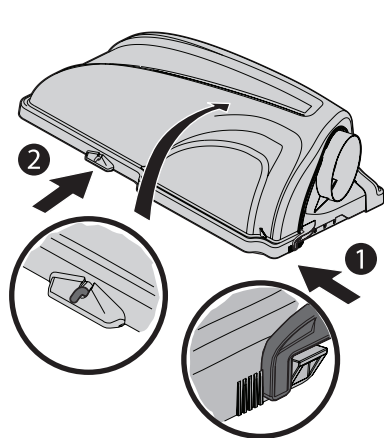


Figura 29

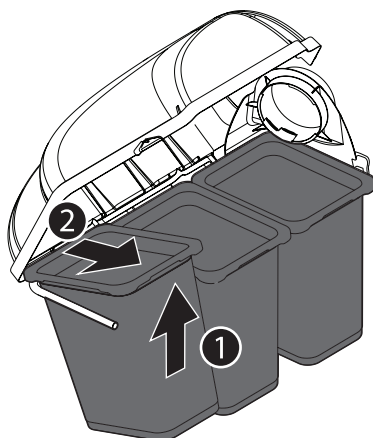


Figura 30

CUB CADET LLC

GARANTÍA LIMITADA DEL FABRICANTE

PARA ACCESORIOS Y ELEMENTOS QUE SE VENDEN POR SEPARADO

IMPORTANTE: Para obtener cobertura de garantía, el propietario debe presentar el comprobante de compra original y los registros de mantenimiento correspondientes al centro de servicio técnico autorizado del distribuidor. Consulte el manual del operador para obtener información sobre los intervalos de mantenimiento y servicio requeridos.

La siguiente garantía limitada es otorgada por Cub Cadet LLC con respecto a nuevos productos adquiridos o arrendados y utilizados en Estados Unidos y/o sus territorios y posesiones, y por MTD Products Limited con respecto a nuevos productos adquiridos o arrendados y utilizados en Canadá y/o sus territorios y posesiones (cualquiera de las dos entidades, respectivamente, "Cub Cadet").

Cub Cadet garantiza este producto (excluidas las piezas con desgaste normal, según se describe más abajo) contra defectos en los materiales y mano de obra por un período de dos (2) años a partir de la fecha de compra o arrendamiento original y, a su opción, reparará o reemplazará, sin costo alguno, cualquier pieza que presente defectos en los materiales o de mano de obra.

Se garantiza que las piezas con desgaste normal están libres de defectos en los materiales y de mano de obra por un período de treinta (30) días a partir de la fecha original de compra o arrendamiento. Las piezas sujetas a desgaste normal incluyen pero no se limitan a: correas, cuchillas, adaptadores de cuchilla, bolsas de césped, ruedas de plataforma, asientos y neumáticos.

Esta garantía limitada sólo se aplicará si el producto ha sido operado y mantenido de acuerdo con las instrucciones del Manual del Operador que se proporciona con el producto y no ha sido sujeto a uso inapropiado, abuso, uso comercial, abandono, accidente, mantenimiento incorrecto, alteración, vandalismo, robo, incendio, inundación o algún daño debido a otro peligro o desastre natural. Los daños que resulten de la instalación o el uso de piezas, accesorios o elementos no aprobados por Cub Cadet para usar con el o los productos incluidos en este manual anularán la garantía en lo que respecta a esos daños. Además, Cub Cadet puede rechazar la cobertura de la garantía si el medidor de horas o cualquier parte del mismo, es alterado, modificado, desconectado o de otro modo forzado.

CÓMO SOLICITAR Y OBTENER SERVICIO TÉCNICO: El servicio de la garantía está disponible, CON COMPROBANTE DE COMPRA Y LOS REGISTROS DE MANTENIMIENTO CORRESPONDIENTES a través de su distribuidor local de servicio autorizado. Para localizar al distribuidor de su zona:

En Estados Unidos de América:

Consulte sus páginas amarillas, o póngase en contacto con Cub Cadet LLC en P.O. Box 361131, Cleveland, Ohio 44136-0019, llame al 1-877-282-8684, o visite nuestro sitio web en www.cubcadet.com.

En Canadá:

Póngase en contacto con MTD Products Limited, Kitchener, ON N2G 4J1, llame al 1-800-668-1238 ó visite nuestro sitio web en www.mtdcanada.com.

Sin limitación de lo anteriormente dicho, esta garantía limitada no ofrece cobertura en los siguientes casos:

- Los elementos del mantenimiento de rutina como por ejemplo lubricantes, filtros, afiladores de cuchillas, puesta a punto del motor, ajustes de frenos, del embrague o de la plataforma y el deterioro normal del acabado exterior debido al uso o exposición.
- Mantenimiento no realizado por el distribuidor de servicio autorizado.
- Cub Cadet no extiende ninguna garantía para los productos vendidos o exportados fuera de los Estados Unidos de América y/o Canadá, y sus respectivas posesiones y territorios, excepto para aquellos vendidos a través de los canales autorizados de distribución de exportaciones de Cub Cadet.
- Piezas de reemplazo y/o accesorios que no son piezas originales de Cub Cadet.
- Gastos de transporte y visitas técnicas.
- Uso comercial o institucional.

No existen garantías implícitas, incluyendo sin limitación cualquier garantía implícita de comerciabilidad o adaptabilidad para un propósito en particular. Ninguna garantía tendrá validez después del período de aplicación de la expresa garantía escrita indicada anteriormente. Ninguna otra garantía expresa, sea oral o escrita, excepto la mencionada anteriormente, extendida por personas o entidades, incluidos los distribuidores y minoristas, con respecto a cualquier producto, obligará a Cub Cadet. El recurso exclusivo es reparar o reemplazar el producto según lo anteriormente establecido. Los términos de esta garantía cubren las reparaciones únicas y exclusivas que surjan de la venta y/o arrendamiento de los productos cubiertos por la presente. Cub Cadet no se hará responsable de las pérdidas o los daños incidentales o indirectos, incluyendo, sin limitación, los gastos incurridos en servicios de mantenimiento, sustitución o reemplazo del césped, o los gastos de arrendamiento realizados para reemplazar de manera transitoria un producto bajo garantía.

Algunas jurisdicciones no permiten la exclusión o limitación de los daños y perjuicios incidentales o indirectos, o las limitaciones sobre la duración de las garantías implícitas, por lo que las exclusiones o limitaciones mencionadas anteriormente pueden no aplicarse en su caso.

En ningún caso se obtendrá una compensación de ningún tipo por un monto mayor al precio de compra del producto adquirido. La alteración de las características de seguridad del producto anulará esta garantía. Usted asume el riesgo y la responsabilidad por las pérdidas, daños o lesiones personales o materiales propias o de terceros que surjan del uso incorrecto o de la falta de capacidad para usar este producto.

Esta garantía limitada cubre solamente al comprador original, o a la persona que recibió el producto de regalo.

CÓMO SE RELACIONA LA LEGISLACIÓN LOCAL CON ESTA GARANTÍA: Esta garantía limitada le otorga derechos legales específicos y usted también puede tener otros derechos que varían de una jurisdicción a otra.

Cub Cadet LLC, P.O. BOX 361131 CLEVELAND, OHIO 44136-0019, teléfono: 1-877-282-8684
MTD Products Limited, Kitchener, ON N2G 4J1, teléfono: 1-800-668-1238

Cub Cadet®

MANUEL D'UTILISATION

Bac récupérateur arrière triple Numéros de modèle 49A70001100 ou 49A70002100

Notez les références de votre accessoire !

Veillez à copier ci-contre les numéros de modèle et de série. La plaque signalétique se trouve sur le couvercle du bac récupérateur. Il est important de conserver ces références car elles vous seront demandées si vous communiquez avec nous sur notre site web, par téléphone ou chez un concessionnaire.

NUMÉRO DE MODÈLE

--	--	--	--	--	--	--	--	--	--	--	--

NUMÉRO DE SÉRIE

--	--	--	--	--	--	--	--	--	--	--	--

Table des matières

<i>Consignes de sécurité</i>	22	<i>Utilisation</i>	29
<i>Contenu de la boîte</i>	24	<i>Garantie</i>	30
<i>Assemblage et montage</i>	26		

⚠ AVERTISSEMENT

Lisez attentivement les consignes de sécurité et les instructions d'assemblage et d'utilisation avant d'utiliser cet accessoire afin d'écartier tout risque d'accident et de blessure.

⚠ AVERTISSEMENT

Proposition 65 de la Californie

Les gaz d'échappement du moteur ainsi que certains éléments de vos appareils motorisés contiennent des substances considérées par l'État de Californie comme étant cancérigènes ou potentiellement nuisibles à la reproduction.

NOTE : Ce manuel est commun à plusieurs modèles dont les caractéristiques peuvent différer du vôtre, de même que du modèle illustré.

CONSIGNES DE SÉCURITÉ

▲ AVERTISSEMENT

▲ Ce symbole indique d'importantes consignes de sécurité qui, si elles ne sont pas respectées, peuvent mettre en danger votre propre sécurité et celle d'autrui et/ou de provoquer des dommages matériels. Veuillez lire et respecter toutes les instructions du présent manuel avant de faire fonctionner ce tracteur. Le non-respect de ces directives pourrait entraîner des blessures corporelles. Lorsque vous voyez ce symbole. **RESPECTEZ L'AVERTISSEMENT!**

▲ DANGER

Ce dispositif a été conçu pour être utilisé selon les pratiques d'utilisation sécuritaires décrites dans ce manuel. Une imprudence ou une erreur de jugement de la part de l'opérateur peut entraîner des blessures graves. Les tracteurs peuvent amputer des mains et des pieds, ainsi que projeter des objets. Le non-respect des consignes de sécurité et des instructions fournies avec votre tracteur pourrait entraîner des blessures graves et même causer la mort.

Utilisation en général

1. Veuillez lire, assimiler et respecter les avertissements et les instructions qui sont apposés sur le dispositif et dans leurs manuels respectifs avant de monter et de mettre en marche l'équipement. Conservez le présent manuel dans un endroit sûr pour consultation régulière et ultérieure, de même que pour commander des pièces de rechange.
2. Pour éviter tout contact avec la lame ou d'être blessé par un projectile, éloignez les enfants, les passants, les assistants et les animaux à au moins 75 pieds de la tracteur en cours de fonctionnement. Arrêtez l'appareil si quelqu'un pénètre dans la zone de travail.
3. Examinez soigneusement la zone où la tracteur sera utilisée. Retirez toutes les pierres, tous les bâtons, les fils, les os, les jouets et les autres objets qui pourraient être avalés et projetés par les lames. Les objets projetés peuvent provoquer des blessures corporelles graves.
4. Pour protéger vos yeux, portez toujours des lunettes de sécurité munies ou non de coques en utilisant l'appareil, lors de réglages ou de réparations. Les objets projetés, qui ricochent, risquent de blesser grièvement les yeux.
5. Ne faites pas fonctionner la tracteur sans son clapet d'éjection ou son bac de ramassage installé dans son emplacement approprié. Un clapet d'éjection ou un composant du dispositif d'ensachage manquant ou endommagé peut entraîner des blessures causées par la projection d'objets ou par le contact avec la lame.
6. N'approchez pas vos mains et vos pieds des pièces en rotation et ne les passez jamais sous le plateau de coupe. Un contact avec les lames risque d'amputer les mains et les pieds.
7. Coupez le moteur de la tracteur et attendez que les lames s'immobilisent complètement avant de déboucher l'ouverture d'éjection ou les pièces du dispositif d'ensachage de la tracteur.
8. Ralentissez avant de tourner. Manoeuvrez la tracteur en douceur. Évitez le fonctionnement erratique et une vitesse excessive. Tenez compte du fait que les accessoires d'ensachage peuvent influencer les caractéristiques de manipulation de votre tracteur.
9. Désengorgez les lames, placez le frein à main, coupez le moteur et attendez l'immobilisation complète des lames avant d'ouvrir le couvercle du bac de ramassage, de retirer celui-ci, de vider l'herbe, de déboucher la goulotte, de retirer les débris, ou en effectuant tout autre ajustement. Ne laissez jamais une tracteur en marche sans surveillance. Attendez toujours que les lames s'immobilisent, placez la transmission au neutre, mettez le frein à main, coupez le moteur et retirez la clé avant le démontage.
10. Votre tracteur est conçue pour tondre du gazon résidentiel normal. Ne tentez pas de couper la pelouse exceptionnellement longue et sèche (par exemple, des pâturages) ou des amas de feuilles mortes. De la pelouse sèche ou des feuilles mortes peuvent entrer en contact avec l'échappement du moteur ou s'accumuler sur la plate-forme de la tracteur offrant un risque d'incendie potentiel.
11. En cas de situations qui ne sont pas mentionnées dans le présent manuel, soyez prudent et faites preuve de bon sens. Pour obtenir de l'aide, communiquez avec un représentant du service à la clientèle.



Utilisation sur une pente

Les pentes sont l'un des principaux facteurs qui contribuent à la perte de contrôle et aux accidents liés aux renversements qui peuvent entraîner des blessures graves et même causer la mort. Les accessoires de tonte peuvent également affecter la stabilité de la tracteur. Tout travail sur des pentes exige des précautions supplémentaires.

Par mesure de sécurité, utilisez l'inclinomètre fourni dans le présent manuel pour mesurer l'inclinaison du terrain avant d'utiliser cet appareil dans une zone en pente ou montagneuse. Si la pente est supérieure à 10 degrés ou 17 pour cent comme indiqué sur l'inclinomètre, retirez les accessoires de tonte (c.-à-d. le sac de ramassage, etc.) avant de commencer le travail dans ce secteur, car des blessures graves pourraient s'en suivre.

Symboles de sécurité

Ce tableau illustre et décrit les symboles de sécurité qui peuvent apparaître sur ce produit. Avant son utilisation, lisez, assimilez et respectez toutes les instructions apposées sur l'appareil.

Symbole	Description
	LIRE LE(S) MANUEL(S) D'UTILISATION Avant d'assembler ou d'utiliser cet appareil, lisez, comprenez et respectez toutes les instructions décrites dans ces manuels.
	ARRÊTER Coupez le moteur avant d'ouvrir le couvercle du bac de ramassage.

▲ AVERTISSEMENT

C'est votre responsabilité—Limitez l'utilisation de cet appareil motorisé à des personnes qui peuvent lire, assimiler et respecter les avertissements et les instructions qui figurent dans le présent manuel et qui sont apposés sur l'appareil.

CONSERVEZ CES INSTRUCTIONS!

Inclinomètre

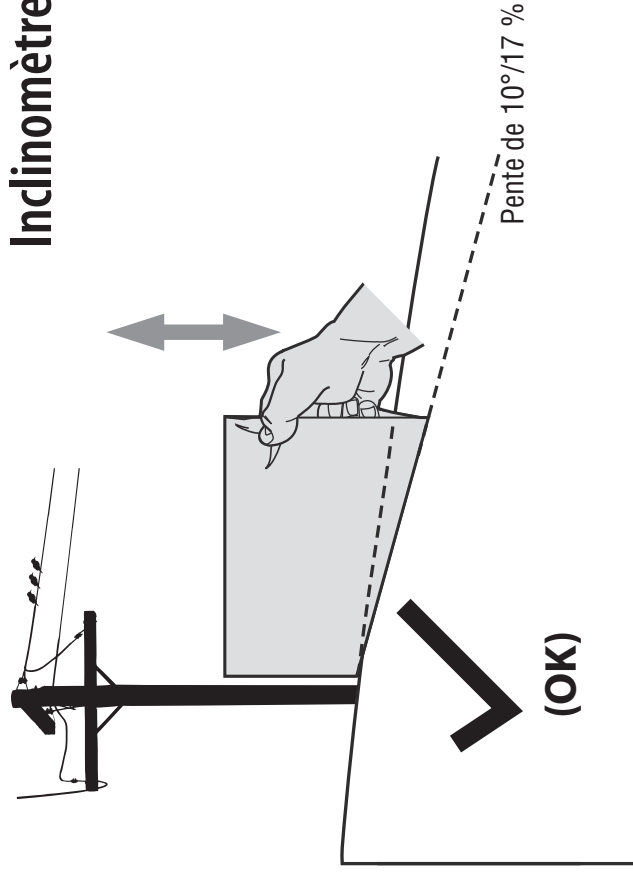


Figure 1

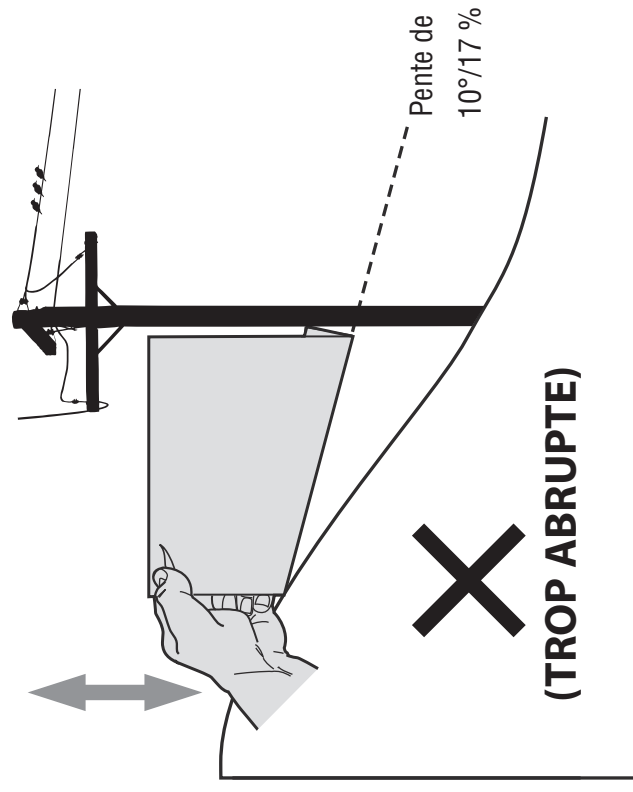


Figure 2

UTILISEZ CET INCLINOMÈTRE POUR

- DÉTERMINER SI UNE PENTE EST TROP ABRUPTE POUR UN FONCTIONNEMENT SÉCURITAIRE!**
- Pour vérifier la pente, procédez comme suit :
1. Retirez cette page et pliez-la le long de la ligne pointillée.
 2. Localisez un objet vertical sur la pente ou derrière celle-ci (p. ex. un poteau, un bâtiment, un arbre, etc.)
 3. Alignez l'un des côtés de l'inclinomètre avec l'objet (consultez la Figure 1 et la Figure 2).
 4. Ajustez l'inclinomètre vers le haut ou vers le bas jusqu'à ce que le coin gauche touche la pente (consultez la Figure 1 et la Figure 2).
 5. S'il y a un écart en dessous de l'inclinomètre, la pente est trop raide pour un fonctionnement en toute sécurité (consultez la Figure 2 ci-dessus).

Ligne pointillée 10°/17 %

▲ WARNING

Les pentes sont l'un des principaux facteurs qui contribuent aux accidents liés aux renversements pouvant entraîner des blessures graves et même causer la mort. Ne pas utiliser cette machine sur une pente dont l'inclinaison est supérieure à 10 degrés/17 pourcent. Tout travail sur des pentes exige des précautions supplémentaires. Si vous ne pouvez pas reculer sur la pente ou si nous ne vous sentez pas à l'aise de le faire, n'y passez pas la tondeuse. Utilisez toujours la tondeuse parallèlement à la pente, jamais en travers.

CONTENU DE LA BOÎTE

Merci pour votre achat !

Nous vous remercions d'avoir acheté un bac récupérateur. Votre nouvel accessoire vous donnera pleine et entière satisfaction pendant de longues années pourvu que vous l'entretenez comme il faut.

Toutes les consignes d'entretien et d'utilisation sont détaillées dans ce manuel. Lisez-les attentivement avant d'utiliser votre bac récupérateur. Les consignes de montage vous aideront à bien assembler ce dernier sans l'endommager. Veuillez noter que vous êtes responsable d'utiliser votre appareil conformément aux consignes de sécurité et d'utilisation. Vous devez également veiller à ce que toutes les personnes à qui vous le prêterez fassent de même afin d'éviter accidents et dommages matériels provoqués par des erreurs facilement évitables.

Au moment de l'impression, ce manuel est à jour : il contient toutes les informations dont vous avez besoin pour utiliser votre bac récupérateur en toute sécurité. Relisez-le régulièrement afin de ne pas oublier certains aspects importants concernant l'utilisation ou les particularités de votre appareil. Ce manuel est commun à plusieurs modèles de bacs récupérateurs, c'est pourquoi il se peut que votre modèle ne possède pas certaines des caractéristiques mentionnées ou ne soit pas exactement similaire aux modèles illustrés. Nous nous réservons le droit de modifier les spécifications du produit, la conception ou le bac lui-même sans préavis ni obligation.

En cas de problème avec votre équipement, nous vous invitons à vous adresser à votre concessionnaire le plus proche ou à appeler notre service après-vente. Votre satisfaction nous tient à cœur !

Veillez noter que, lorsque la *droite* et la *gauche* sont mentionnées, le point de vue de référence est celui que vous avez lorsque vous êtes aux commandes de votre tracteur.

Bac récupérateur triple de 48 po

Avant de commencer à assembler votre bac récupérateur, videz la boîte d'emballage et vérifiez que toutes les pièces sont bien présentes. Le contenu de la boîte est précisée ci-dessous. La quincaillerie est détaillée à la page suivante.

- Coude de la goulotte - 819-011300
- Sac à herbe (3) - 664-05104
- Support vertical - 683-04519C
- Support du sac à herbe - 683-04498B
- Capuchons (6) - 735-0246A (installés)
- Couvercle du bac récupérateur - 631-06539
- Fenêtre du couvercle - 731-06504
- Support supérieur pour goulotte - 731-17272
- Montant (2) - 789-04278
- Support inférieur - 789-04279
- Support supérieur - 789-04458
- Déflecteur - 731-18471
- Tube flexible - 764-05275
- Tige de charnière - 711-05079
- Équerre - 689-02519
- Plaque de montage - 689-02559
- Contrepoids pour tondeuse à rayon de braquage zéro RZT - 719-04271A
- Barres de pesée (3) - 789-02137
- Support de contrepoids gauche - 789-04077
- Support de contrepoids droit - 789-04078
- Kit de quincaillerie - 689-02619
- Kit de quincaillerie du déflecteur - 689-02299

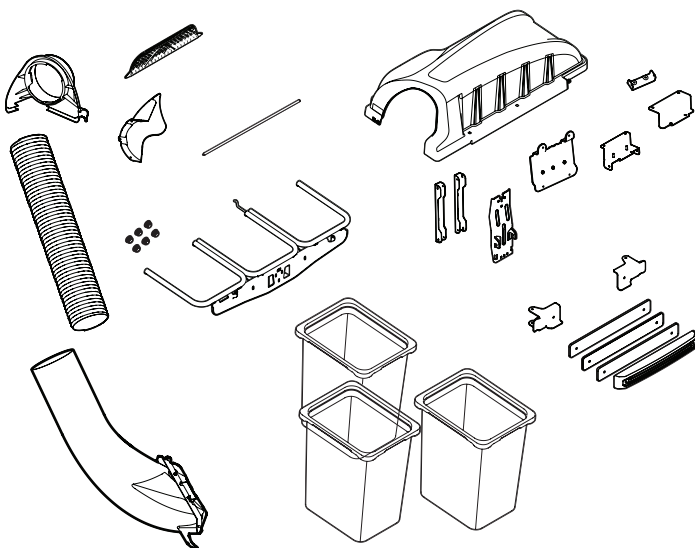


Figure 1

Bac récupérateur triple de 54 et de 60 po

Avant de commencer à assembler votre bac récupérateur, videz la boîte d'emballage et vérifiez que toutes les pièces sont bien présentes. Le contenu de la boîte est précisée ci-dessous. La quincaillerie est détaillée à la page suivante.

- Coude de la goulotte - 819-011280
- Sac à herbe (3) - 664-05104
- Support vertical - 683-04519C
- Support du sac à herbe - 683-04498B
- Capuchons (6) - 735-0246A (installés)
- Couvercle du bac récupérateur - 631-06539
- Fenêtre du couvercle - 731-06504
- Support supérieur pour goulotte - 731-17272
- Montant (2) - 789-04278
- Support inférieur - 789-04279
- Support supérieur - 789-04458
- Déflecteur - 731-18471
- Tube flexible - 764-05275
- Tige de charnière - 711-05079
- Équerre - 689-02519
- Plaque de montage - 689-02559
- Contrepoids pour tondeuse à rayon de braquage zéro RZT - 719-04271A
- Barre de pesée (3) - 789-02137
- Support de contrepoids gauche - 789-04077
- Support de contrepoids droit - 789-04078
- Kit de quincaillerie - 689-02619
- Kit de quincaillerie du déflecteur - 689-02299

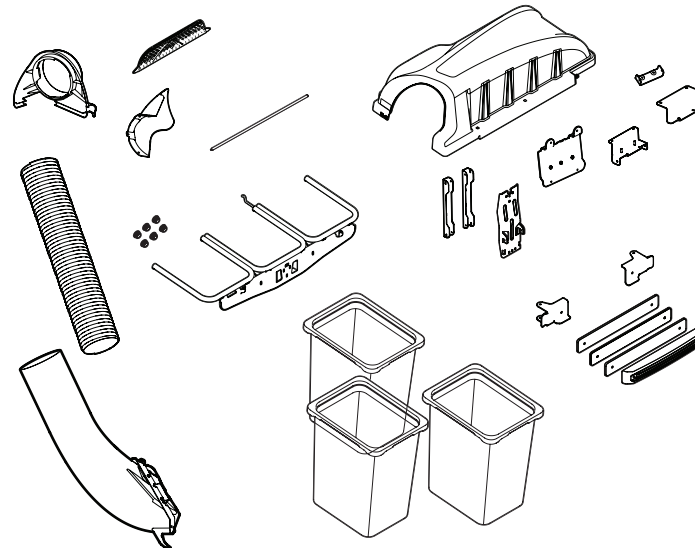


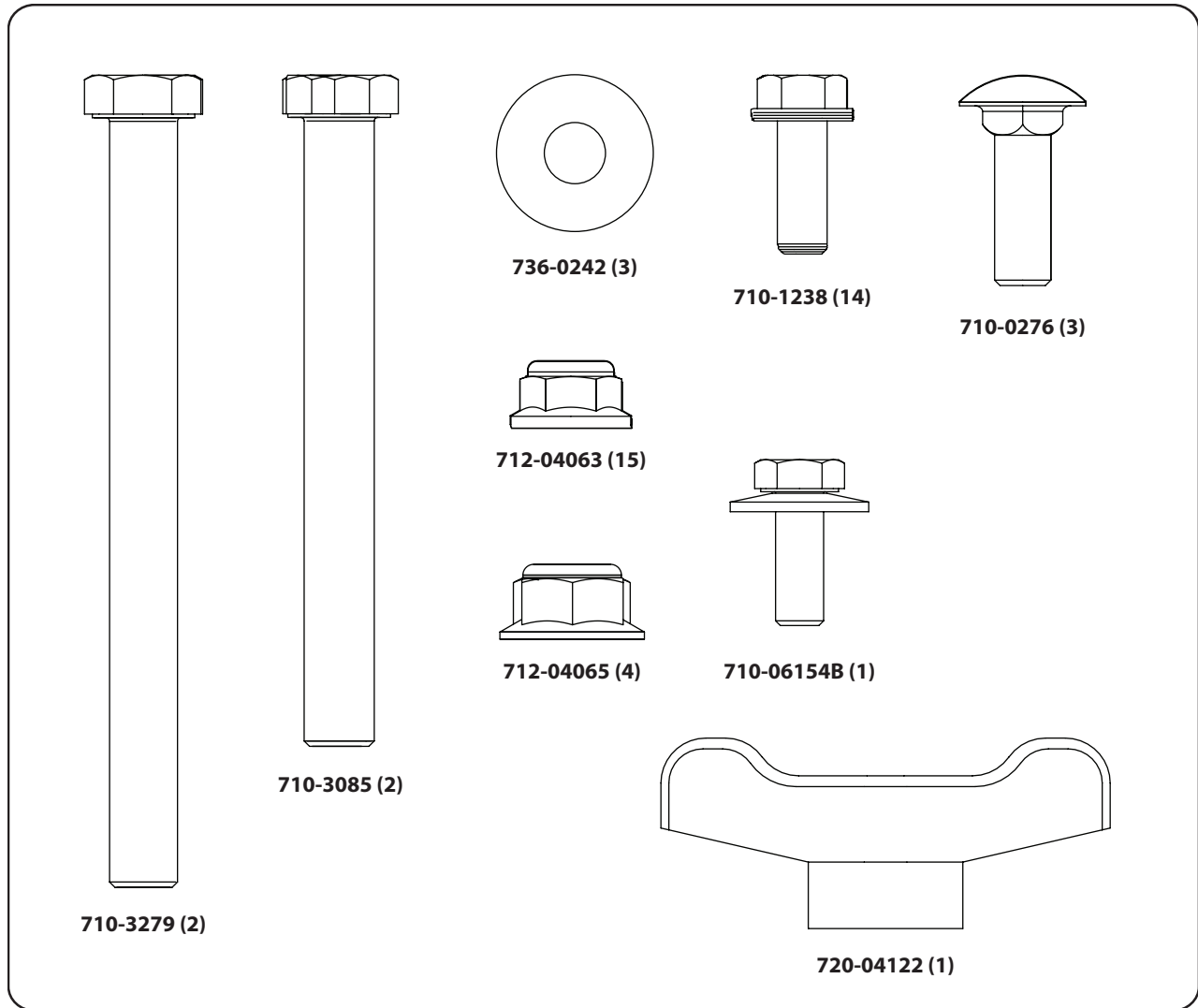
Figure 2

CONTENU DE LA BOÎTE

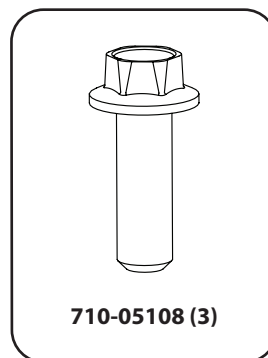
Contenu du kit de quincaillerie

Vérifiez que vos kits de quincaillerie correspondent aux illustrations ci-dessous. La quantité de chaque pièce est indiquée entre parenthèses.

Kit de quincaillerie 689-02619



Kit de quincaillerie 689-02299



ASSEMBLAGE ET MONTAGE

NOTE : Toutes les mentions de droite, gauche, avant et arrière ne s'entendent qu'à partir du poste de conduite. Les exceptions seront spécifiées, s'il y a lieu.

- Avant d'installer le bac récupérateur, stationnez l'appareil sur une surface solide et plane, débrayez la prise de force, arrêtez le moteur et engagez le frein de stationnement.

Assemblage de la plaque de montage et des montants

1. Placez les deux montants (789-04278) face vers le bas sur une surface de travail comme indiqué dans la Figure 3.

NOTE : Les fentes des montants devraient être orientées vers l'extérieur alors que les trous devraient être vers l'intérieur.

2. Placez la plaque de montage (689-02559) sur les montants avec les brides courbées vers l'intérieur et le rebord inférieur alignés avec les trous des montants. Voir Figure 3.
3. Fixez la plaque de montage et les supports avec 4 boulons (710-1238) et 4 écrous autobloquants (712-04063) du kit de quincaillerie (689-02619). Voir Figure 3.
4. Mettez le tout de côté pour l'installer à une étape ultérieure.

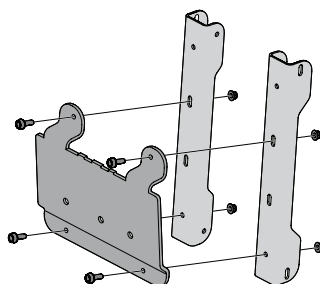


Figure 3

Installation des supports au châssis de l'appareil

NOTE : Lorsque vous assemblez les supports de montage, ne les serrez pas complètement pour faciliter la procédure de montage à une étape ultérieure.

Installez le support inférieur comme suit :

1. Alignez le support inférieur (789-04279) avec les trous du montant arrière inférieur du châssis avec les brides qui pointent vers le haut et fixez le support avec des boulons autotaraudeurs (710-1238). Voir Figure 4.

NOTE : Les deux boulons devraient être déjà installés sur l'appareil. S'ils ne sont pas déjà installés, prenez les boulons qui fixent le support aux écrous à rивer intérieurs du support pour silencieux.

Installez le support supérieur comme suit :

1. En commençant à partir de l'intérieur, alignez l'équerre (689-02519) avec le montant arrière supérieur du châssis et glissez les goujons dans les trous existants. Voir (1) dans la Figure 5.
2. En commençant à partir de l'extérieur cette fois, alignez le support de montage supérieur (789-04458) sur le montant arrière supérieur du châssis et l'équerre en alignant les trous inférieurs et supérieurs du support et de l'équerre. Voir (2) dans la Figure 5.
3. Retenez le support et l'équerre, en place et vissez-les, mais pas complètement, à l'aide de 4 boulons (710-1238) et 4 écrous autobloquants (712-04063). Voir Figure 6.

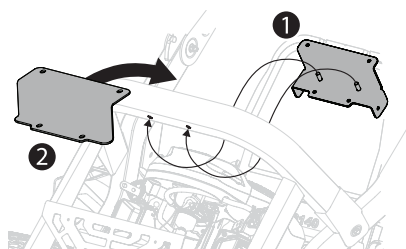


Figure 5

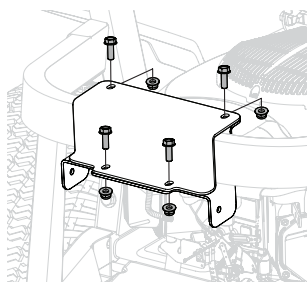


Figure 6

4. Serrez maintenant toute la quincaillerie.

Installation de la plaque de montage et des montants

1. Installez la plaque de montage et les montants sur le support inférieur déjà installé au châssis en alignant les trous intérieurs des montants avec les trous sur les brides du support inférieur.
2. En commençant à partir de l'intérieur, fixez la plaque de montage et les montants au support inférieur avec 2 boulons (710-1238) et 2 écrous autobloquants (712-04063). Voir (1) dans la Figure 7.
3. Poussez les montants de la plaque de montage vers le châssis, alignez les fentes extérieures avec les trous des brides au bas de l'équerre précédemment installée. Voir (2) dans la Figure 7.
4. En commençant à partir de l'extérieur, fixez la plaque de montage et les montants à l'équerre avec 2 boulons (710-1238) et 2 écrous autobloquants (712-04063). Voir Figure 8.

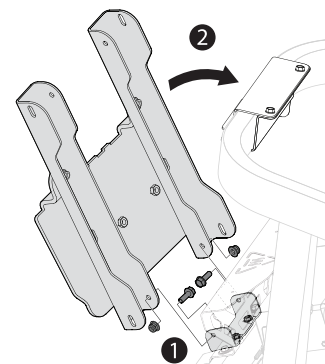


Figure 7

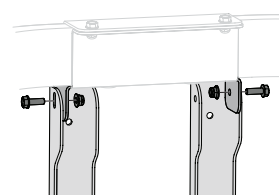


Figure 8

Installation du support vertical

NOTE : Ce manuel couvre plusieurs configurations de bac récupérateur. Veuillez suivre les instructions qui conviennent à votre appareil.

1. À l'aide de la Figure 9, trouvez le trou de montage de la plaque correspondant à votre appareil.
2. Installez le support vertical (683-04519C) sur l'ensemble de montage installé sur l'appareil en l'insérant sur le support comme indiqué dans la Figure 10.
3. Fixez le support vertical à l'ensemble de montage avec un boulon (710-06154B) du kit de quincaillerie (689-02619). Voir Figure 10.

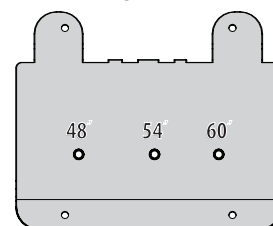


Figure 9

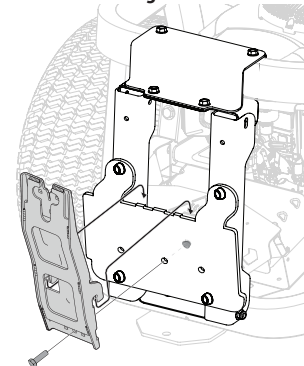


Figure 10

Installation du support du sac à herbe

1. Fixez le support du sac à herbe (683-04498B) au support vertical avec 3 boulons de carrosserie (710-0276), 3 rondelles à collerette (736-0242) et 3 écrous autobloquants (712-04063) du kit de quincaillerie (689-02619). Voir Figure 11.

NOTE : Les rondelles Belleville doivent être placées du même côté que les contre-écrous à bride (vers le cadre).

NOTE : Insérez les boulons de carrosserie (710-0276) du kit de quincaillerie (689-02619) dans les trous supérieurs. Assurez-vous que les écrous soient du côté du moteur. Insérez le boulon (710-1238), du même kit de quincaillerie, dans le trou inférieur.

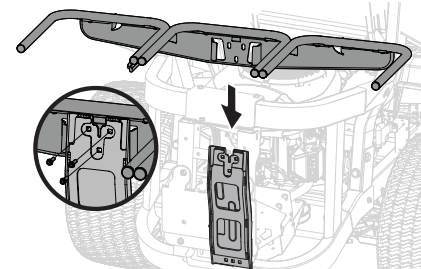


Figure 11

ASSEMBLAGE ET MONTAGE

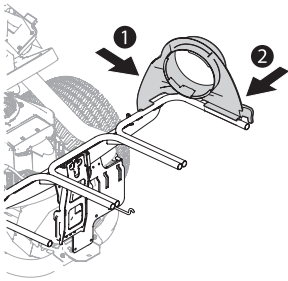


Figure 12

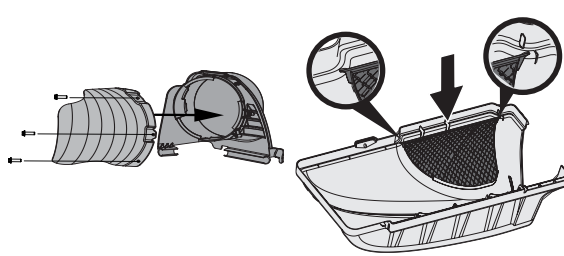


Figure 13

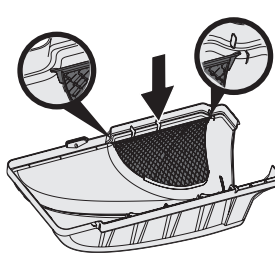


Figure 14

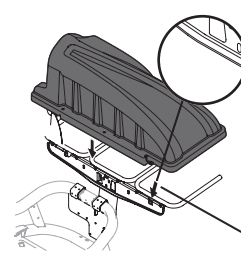


Figure 15

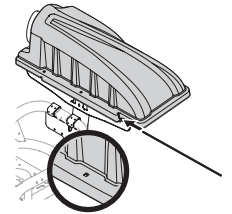


Figure 16

Installation des composants supérieurs du bac récupérateur

Après avoir installé les supports de montage sur l'appareil, suivez les étapes ci-dessous pour assembler les autres composants du bac récupérateur.

1. **S'il n'a pas été installé à l'usine**, enclenchez le couvercle dans les trous du support de la goutlotte.
2. Enclenchez le support supérieur pour goutlotte (731-17272) sur le support des sacs (1) comme indiqué dans la Figure 12.
3. Enclenchez la partie avant du support supérieur de la goutlotte au support des sacs (2) comme indiqué dans la Figure 12.
4. Fixez le déflecteur (731-18471) au support supérieur de la goutlotte à l'aide de 3 boulons fournis dans le kit de quincaillerie (689-02299). Voir Figure 13.
5. Si la fenêtre du couvercle du bac récupérateur n'a pas été installée à l'usine, installez-la (731-06504) en insérant une de ses extrémités dans le trou de montage correspondant du couvercle du bac récupérateur (631-06539). Assurez-vous de poser la fenêtre sous le rebord comme indiqué dans la Figure 14.

6. Installez le couvercle du bac récupérateur sur le support du sac à herbe comme indiqué dans la Figure 15. Placez le couvercle en plastique sur les deux encoches de montage.
7. Insérez la tige de charnière (711-05079) dans le trou de l'encoche de montage, comme indiqué dans la Figure 16. Utilisez le petit trou sur le couvercle (voir l'encadré de la Figure 16) pour aligner la tige de charnière de l'autre côté, puis poussez la tige jusqu'au bout. Elle s'enclenchera et sera fixée par l'encoche sous le couvercle du bac récupérateur.

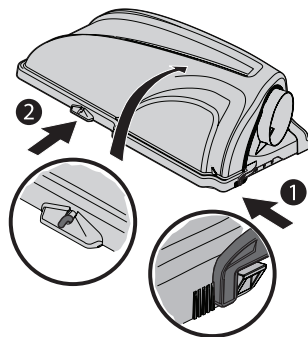


Figure 17

8. Ouvrez le couvercle du bac récupérateur en pressant sur la languette arrière droite avec votre main droite comme indiqué au point (1) et en soulevant le couvercle à partir du milieu avec votre main gauche (2) comme indiqué dans la Figure 17.

9. Installez les 3 sacs à herbe (664-05104) sur leur support en insérant d'abord la partie avant du sac (1), puis la partie arrière jusqu'à ce que chaque sac soit correctement placé sur son support (2) comme indiqué dans la Figure 18.

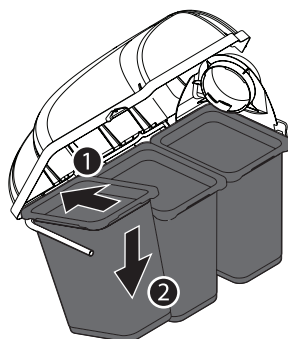


Figure 18

Installation du coude de la goutlotte - Bac récupérateur triple de 48 po

1. Soulevez le déflecteur d'éjection et retenez-le (1), installez le coude de la goutlotte (819-011300) en insérant la languette située en haut à l'arrière droite du plateau de coupe dans le trou de la goutlotte (2), comme indiqué dans la Figure 19.

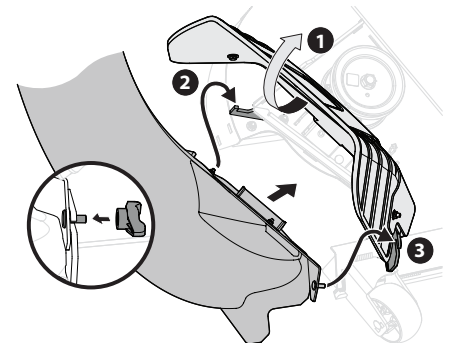


Figure 19

2. Soulevez le coude de la goutlotte vers l'avant et glissez-le sous le déflecteur d'éjection relevé à l'étape 2, jusqu'à ce que le goujon du coude de la goutlotte s'aligne avec la fente du plateau de coupe. Voir (3) dans Figure 19.

NOTE : Vous devriez entendre un déclic lorsque languette centrale du coude de la goutlotte s'enclenche au plateau de coupe.

3. Fixez le coude de la goutlotte sur le plateau de coupe avec l'écrou papillon (720-04122) fourni dans le kit de quincaillerie (689-02619). Voir l'encadré de la Figure 19.

NOTE : Le déflecteur d'éjection à ressort s'appuiera contre le coude de la goutlotte ce qui assurera l'étalement entre le plateau de coupe et le coude de la goutlotte.

Installation du coude de la goutlotte - Bac récupérateur triple de 54 et 60 po

1. Relevez le plateau de coupe au maximum.
2. Soulevez le déflecteur d'éjection et retenez-le (1), installez le coude de la goutlotte (819-011280) en insérant la languette située en haut à l'arrière droite du plateau de coupe, dans le trou du coude de la goutlotte (2), comme indiqué dans la Figure 20.

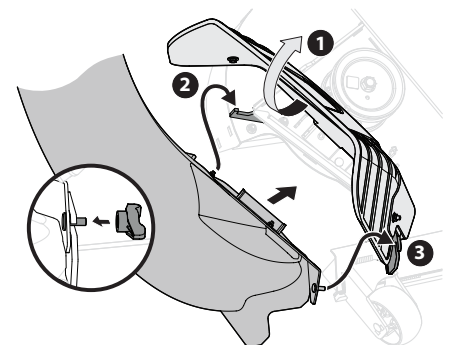


Figure 20

3. Soulevez le coude de la goutlotte vers l'avant et glissez-le sous le déflecteur d'éjection relevé à l'étape 2, jusqu'à ce que le goujon du coude de la goutlotte s'aligne avec la fente du plateau de coupe. Voir (3) dans la Figure 20.

NOTE : Vous devriez entendre un déclic lorsque languette centrale du coude de la goutlotte s'enclenche au plateau de coupe.

ASSEMBLAGE ET MONTAGE

- Fixez le coude de la goulotte sur le plateau de coupe avec l'écrou papillon (720-04122) fourni dans le kit de quincaillerie (689-02619). Voir l'encadré de la Figure 20.

NOTE : Le déflecteur d'éjection à ressort s'appuiera contre le coude de la goulotte ce qui assurera l'étanchéité entre le plateau de coupe et le coude de la goulotte.

Installation du tube flexible

- Vissez la partie supérieure du tube flexible (764-05275) dans le support supérieur de la goulotte. Il y a deux languettes à l'intérieur de la partie inférieure du support supérieur de la goulotte qui servent à fixer le tube. Voir Figure 21.

NOTE : Le tube flexible et le support supérieur de la goulotte sont dotés d'un filetage vers la gauche. Tournez le tube vers la gauche jusqu'à ce qu'il soit bien fixé en place.

- Enfilez le tube sur le coude de la goulotte, comme illustré à la Figure 22.
- Disposez le tube correctement (il doit complètement recouvrir l'ouverture de la goulotte).
- Avant de commencer à tondre, fermez le couvercle du bac récupérateur s'il est ouvert.

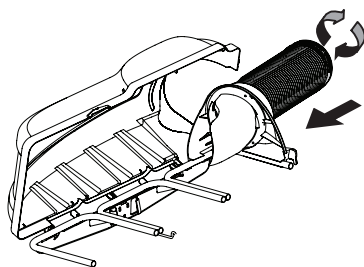


Figure 21

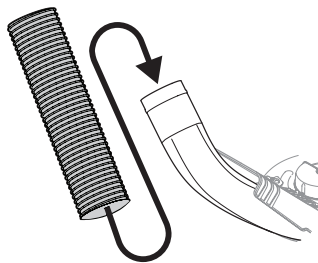


Figure 22

Installation du contrepoids

⚠ AVERTISSEMENT

Ce contrepoids avant est requis pour tous les modèles de tondeuses à rayon de braquage zéro équipées d'un bac récupérateur. Vous risquez un accident grave voire mortel si vous n'installez pas le contrepoids.

⚠ AVERTISSEMENT

Avant d'installer le contrepoids, stationnez l'appareil sur une surface plane et solide, engagez le frein de stationnement, débrayez la prise de force, arrêtez le moteur et retirez la clé de contact pour empêcher tout démarrage accidentel.

- Fixez le contrepoids pour tondeuse à rayon de braquage zéro (719-04271A) et les 3 barres de pesée (789-02137) aux supports de contrepoids (gauche - 789-04077 et droit - 789-04078) avec 2 boulons de 3/8 po (710-3085) et 2 écrous (712-04065) comme indiqué dans la Figure 23.
- Centrez la barre de pesée sur l'appareil à l'aide de 2 boulons de 7/16 po (710-3279) et 2 écrous (712-04065) et fixez le contrepoids à l'appareil comme indiqué dans la Figure 24.

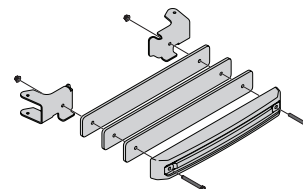


Figure 23

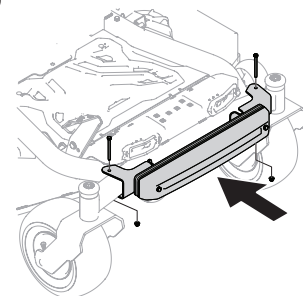


Figure 24

UTILISATION

Utilisation du bac récupérateur triple

NOTE : Lorsque les sacs sont remplis, stationnez l'appareil sur une surface solide et plane, débrayez la prise de force, arrêtez le moteur et engagez le frein de stationnement.

1. Ouvrez le couvercle du bac récupérateur en pressant sur la languette arrière droite avec votre main droite comme indiqué (1) et en soulevant le couvercle à partir du milieu avec votre main gauche (2) comme indiqué dans la Figure 29.
2. Ne retirez pas le flexible du tracteur.
3. Retirez les trois sacs à herbe de leur support en soulevant d'abord la partie avant du sac, puis en glissant la partie arrière hors du support. Voir Figure 30.
4. Tenez les sacs fermement par leur poignée (située sous le sac) et videz le contenu dans un endroit approprié. Tenez le sac et videz-le.
5. Remplacez les sacs, fermez le couvercle du bac récupérateur, démarrez l'appareil et relâchez le frein de stationnement pour poursuivre la tonte.

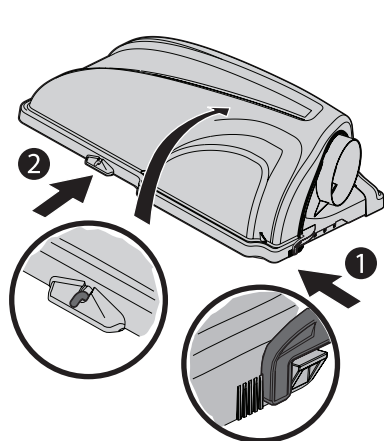


Figure 29

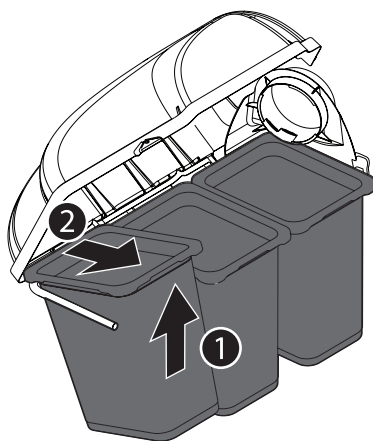


Figure 30

CUB CADET LLC

GARANTIE LIMITÉE DU FABRICANT POUR LES ACCESSOIRES VENDUS SÉPARÉMENT

IMPORTANT : Le propriétaire doit présenter le reçu original et les relevés d'entretien au concessionnaire pour faire honorer la garantie. Le propriétaire de l'appareil est tenu de respecter le calendrier d'entretien tel qu'il est indiqué dans le manuel d'utilisation.

La garantie limitée décrite ci-dessous est offerte par Cub Cadet LLC pour des appareils neufs achetés ou loués et utilisés aux États-Unis, dans ses possessions et territoires, et par MTD Products Limited pour des appareils neufs achetés ou loués et utilisés au Canada et dans ses territoires (chaque entité respectivement, « Cub Cadet »).

Cub Cadet garantit que ce produit (à l'exception *des pièces d'usure normale* énumérées ci-dessous) est exempt de tout défaut de matériau et de fabrication pour une durée de trois (2) ans à compter de la date d'achat initiale ou de la location-bail et s'engage à réparer ou à remplacer, gratuitement et à son choix, toute pièce qui s'avère défectueuse en raison d'un défaut de matériau ou de fabrication.

Les pièces d'usure normale sont garanties exemptes de tout défaut de matériau et de fabrication pour une période de trente (30) jours à compter de la date initiale d'achat ou de location. Les pièces d'usure normale comprennent, sans s'y limiter : les courroies, les lames, les adaptateurs de lame, les sacs à herbe, les roues du plateau de coupe, les sièges et les pneus.

Cette garantie ne s'applique que si l'appareil a été utilisé et entretenu conformément aux indications du manuel d'utilisation fourni avec l'appareil et exclut les mauvaises utilisations, les abus, la négligence, les accidents, le mauvais entretien, les altérations, le vandalisme, le vol, le feu, l'eau et les autres dommages causés par des catastrophes naturelles. Les dégâts causés par l'installation ou l'utilisation d'une pièce ou d'un accessoire, dont l'emploi avec le produit n'est pas homologué par Cub Cadet, rendront la garantie nulle et non avenue. De plus, cette garantie ne s'applique pas si le compteur d'heures, ou tout autre composant de celui-ci, a été modifié, déconnecté ou autrement changé.

POUR SE PRÉVALOIR DE LA GARANTIE : Présentez LA PREUVE D'ACHAT ET LES RELEVÉS D'ENTRETIEN CORRESPONDANTS au centre de service agréé de votre région. Pour trouver un centre de service dans votre région :

Aux États-Unis :

Consultez les Pages Jaunes, écrivez à Cub Cadet LLC, P.O. BOX 361131 Cleveland, Ohio 44136-0019, appelez au 1 877 282-8684 ou visitez notre site Web au www.cubcadet.com.

Au Canada :

Écrivez à MTD Products Limited, Kitchener, Ontario, N2G 4J1, téléphonez au 1 800 668-1238 ou visitez notre site Web au www.mtdproducts.ca.

Sans limiter ce qui précède, cette garantie limitée ne couvre pas :

- Les articles d'entretien courant tels que les lubrifiants et les filtres, l'aiguisage de lames, les mises au point, les réglages de frein, de l'embrayage ou du plateau de coupe ainsi que la détérioration normale de la finition extérieure en raison de l'utilisation de l'appareil ou de son exposition aux intempéries.
- Une réparation exécutée par quiconque autre qu'un centre de service agréé.
- Cub Cadet ne garantit pas les produits vendus ou exportés hors des États-Unis et/ou du Canada, de leurs possessions et territoires respectifs, sauf si ces produits ont été vendus par l'intermédiaire des services d'exportation de Cub Cadet.
- Les pièces de rechange qui ne sont pas des pièces d'origine de Cub Cadet.
- Les frais de transport et de déplacement des techniciens.
- L'utilisation de type commercial ou institutionnel.

Aucune garantie implicite, y compris sans s'y limiter, toute garantie tacite de qualité marchande ou d'adaptabilité dans un but particulier, ne s'applique après la période de la garantie explicite décrite ci-dessus. Aucune autre garantie explicite, mise à part la garantie décrite ci-dessus, donnée par toute personne ou toute entreprise, y compris par le concessionnaire ou le détaillant, à l'égard de tout produit, n'engage Cub Cadet. Le seul recours se limite à la réparation ou le remplacement du produit tel que stipulé ci-dessus.

Les stipulations énoncées dans cette garantie offrent le seul recours à la suite de la vente ou de la location-bail. Cub Cadet ne peut être tenu responsable pour toute perte ou tout dommage accessoire ou immatériel comprenant, sans s'y limiter, les frais de remplacement ou de substitution des services d'entretien des pelouses ou les frais de location pour remplacer temporairement un produit sous garantie.

Certaines juridictions ne permettent pas l'exclusion des dommages accessoires ou immatériels ou une limite à la durée de la garantie implicite. Par conséquent, les exclusions et restrictions ci-dessus peuvent ne pas s'appliquer dans votre cas.

En aucun cas, le montant de remboursement ou de remplacement ne saurait être supérieur à celui du prix d'achat du produit. **Toute modification des dispositifs de sécurité rendra la garantie nulle et non avenue.** L'utilisateur assume tout risque et toute responsabilité en cas de perte, de dommage matériel ou de blessure résultant de l'utilisation incorrecte du produit ou de l'incapacité de l'employer.

Cette garantie limitée n'est offerte qu'à l'acheteur initial ou à la personne à laquelle le produit a été offert en cadeau.

Lois locales et cette garantie : Cette garantie limitée vous accorde des droits juridiques spécifiques. Vous pouvez également bénéficier d'autres droits qui varient selon les juridictions.

**CUB CADET LLC, BOX 361131 CLEVELAND, OHIO 44136-0019, Phone: 1 877 282-8684
MTD Products Limited, Kitchener, ON N2G 4J1, Téléphone : 1 800 668-1238**

NOTES

NOTES