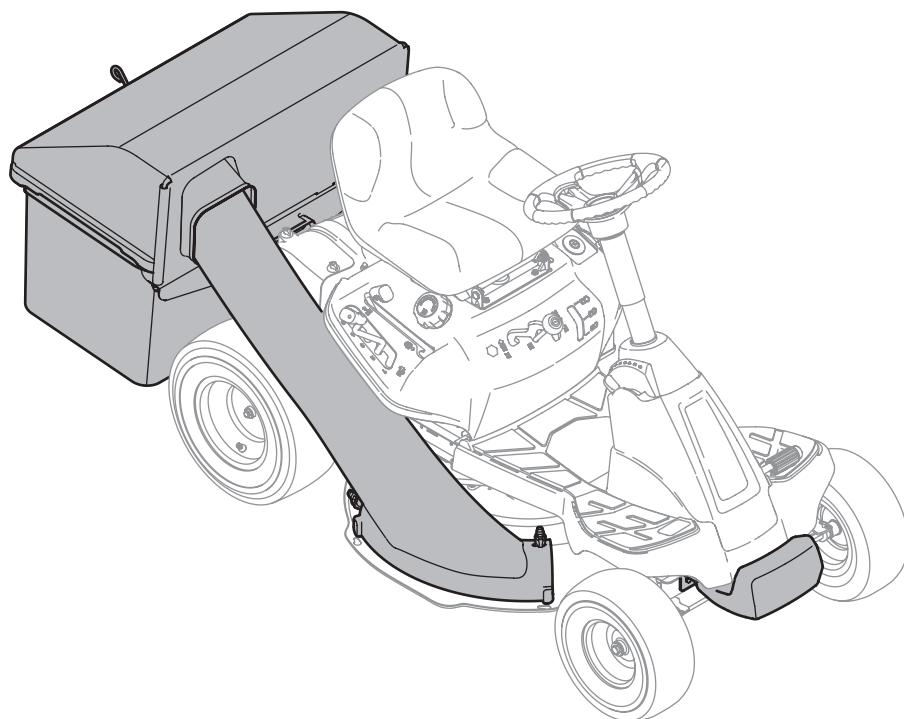


OPERATOR'S MANUAL



Twin Bagger — 19A30014OEM

WARNING

**READ AND FOLLOW ALL SAFETY RULES AND INSTRUCTIONS IN THIS MANUAL
BEFORE ATTEMPTING TO OPERATE THIS MACHINE.
FAILURE TO COMPLY WITH THESE INSTRUCTIONS MAY RESULT IN PERSONAL INJURY.**

MTD LLC, P.O. BOX 361131 CLEVELAND, OHIO 44136-0019

Thank You

Thank you for purchasing a double bagging attachment manufactured by MTD. It was carefully engineered to provide excellent performance when properly operated and maintained.

Please read this entire manual prior to operating the equipment. It instructs you how to safely and easily set up, operate and maintain this attachment. Please be sure that you, and any other persons who will operate the machine, carefully follow the recommended safety practices at all times. Failure to do so could result in personal injury or property damage.

All information in this manual is relative to the most recent product information available at the time of printing. Review this manual frequently to familiarize yourself with the attachment, its features and operation. Please be aware that this Operator's Manual may cover a range of product specifications for various models. Characteristics and features discussed and/or illustrated in this manual may not be applicable to all models. MTD reserves the right to change product specifications, designs and equipment without notice and without incurring obligation.

If you have any problems or questions concerning this attachment, phone your local authorized MTD service dealer or contact us directly. MTD's Customer Support telephone numbers, website address and mailing address can be found on this page. We want to ensure your complete satisfaction at all times.

Throughout this manual, all references to *right* and *left* side of the machine are observed from the operating position

Table of Contents

<i>Identify The Model of Tractor</i>	2	<i>Operation</i>	11
<i>Safe Operation Practices</i>	3	<i>Parts List</i>	14
<i>Carton Contents & Hardware Pack</i>	6	<i>Warranty</i>	16
<i>Assembly & Installation</i>	8		

Record Product Information

Before setting up and operating your new equipment, please locate the model plate on the equipment and record the information in the provided area to the right. From the operator's position, locate the model plate on the front side of the grass catcher cover. This information will be necessary, should you seek technical support via our web site, Customer Support Department, or with a local authorized service dealer.

MODEL NUMBER

SERIAL NUMBER

Customer Support

Please do NOT return the machine to the retailer or dealer without first contacting our Customer Support Department.

If you have difficulty assembling this product or have any questions regarding the controls, operation, or maintenance of this machine, you can seek help from the experts. Choose from the options below:

- ◇ Visit us on the web at www.mtdproducts.com
- ◇ Call a Customer Support Representative at (800) 800-7310 or (330) 220-4683
- ◇ Write us at MTD LLC • P.O. Box 361131 • Cleveland, OH • 44136-0019



WARNING! This symbol points out important safety instructions which, if not followed, could endanger the personal safety and/or property of yourself and others. Read and follow all instructions in this manual before attempting to operate this machine. Failure to comply with these instructions may result in personal injury.

When you see this symbol. **HEED ITS WARNING!**



DANGER! This attachment was built to be used according to the safe operation practices in this manual. Carelessness or error on the part of the operator can result in serious injury. Mowers are capable of amputating hands and feet and throwing objects. Failure to observe the following safety instructions as well as the instructions provided with your mower, could result in serious injury or death.

General Operation

1. Read, understand, and follow all instructions on your equipment and in their manuals before attempting to assemble and operate. Keep this manual in a safe place for future and regular reference and for ordering replacement parts.
2. To help avoid blade contact or a thrown object injury, keep bystanders, helpers, children and pets at least 75 feet from the mower while it is in operation. Stop machine if anyone enters the area.
3. Thoroughly inspect the area where the equipment is to be used. Remove all stones, sticks, wire, bones, toys, and other foreign objects which could be picked up and thrown by the blade(s). Thrown objects can cause serious personal injury.
4. Always wear safety glasses or safety goggles during operation and while performing an adjustment or repair to protect your eyes. Thrown objects which ricochet can cause serious injury to the eyes.
5. Do not operate the mower without the discharge cover or entire grass catcher in its proper place. A missing or damaged discharge cover or grass bag attachment component may result in thrown objects or blade contact injuries.
6. Do not put hands or feet near rotating parts or under the cutting deck. Contact with the blade(s) can amputate hands and feet.
7. Shut off mower's engine and wait for blades to come to a complete stop before unclogging mower's discharge opening or bagger parts.
8. Slow down before turning. Operate the machine smoothly. Avoid erratic operation and excessive speed. Be aware that a grass catcher attachment can affect the handling characteristics of your mower.
9. Disengage blade(s), set parking brake, stop engine and wait until the blade(s) come to a complete stop before opening bagger attachment's top cover, removing grass catcher, emptying grass, unclogging chute, removing any grass or debris, or making any adjustments.
10. Never leave a running machine unattended. Always turn off blade(s), place transmission in neutral, set parking brake, stop engine and remove key before dismounting.
11. Your machine is designed to cut normal residential grass of a height no more than 10". Do not attempt to mow through unusually tall, dry grass (e.g., pasture) or piles of dry leaves. Dry grass or leaves may contact the engine exhaust and/or build up on the mower deck presenting a potential fire hazard.
12. If situations occur which are not covered in this manual, use care and good judgment. Contact your customer service representative for assistance.

Slope Operation

Slopes are a major factor related to loss of control and tip-over accidents which can result in severe injury or death. Attachments can also affect the stability of the machine. All slopes require extra caution.

For your safety, use the slope gauge included as part of this manual to estimate the angle of slopes before operating this machine on a sloped or hilly area. If the slope is greater than 10 degrees as shown on the slope gauge, do not operate the mower with the grass bag attachment installed on that area or serious injury could result.

Do:

1. Mow up and down slopes, not across. Exercise extreme caution when changing direction on slopes.
2. Watch for holes, ruts, bumps, rocks, or other hidden objects. Uneven terrain could overturn the machine. Tall grass can hide obstacles.

3. Use slow speed. Choose a low enough speed setting so that you will not have to stop or shift while on the slope. Tires may lose traction on slopes even though the brakes are functioning properly. Always keep machine in gear when going down slopes to take advantage of engine braking action.
4. Follow the manufacturer's recommendations for wheel weights or counterweights to improve stability.
5. Keep all movement on the slopes slow and gradual. Do not make sudden changes in speed or direction. Rapid engagement or braking could cause the front of the machine to lift and rapidly flip over backwards which could cause serious injury.
6. Avoid starting or stopping on a slope. If tires lose traction, disengage the blade(s) and proceed slowly straight down the slope.

Do Not:

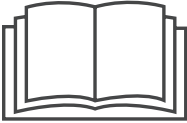

1. Do not turn on slopes unless necessary; then, turn slowly and gradually downhill, if possible.
2. Do not mow near drop-offs, ditches or embankments. The mower could suddenly turn over if a wheel is over the edge of a cliff, ditch, or if an edge caves in.
3. Do not try to stabilize the machine by putting your foot on the ground.
4. Do not use a grass catcher on steep slopes.
5. Do not mow on wet grass. Reduced traction could cause sliding.

General Service

1. Before cleaning, repairing, or inspecting, make certain the blade(s) and all moving parts have stopped. Disconnect the spark plug wire and ground against the engine to prevent unintended starting.
2. Keep all nuts, bolts, and screws tight to be sure the equipment is in safe working condition.
3. Never tamper with your mower's safety interlock system or other safety devices. Check their proper operation regularly.
4. Never attempt to make adjustments or repairs while the mower's engine is running.
5. Grass catcher components and the discharge cover are subject to wear and damage which could expose moving parts or allow objects to be thrown. For safety protection, frequently check components and replace immediately with original equipment manufacturer's (O.E.M.) parts only, listed in this manual. Use of parts which do not meet the original equipment specifications may lead to improper performance and compromise safety!
6. Maintain or replace safety and instruction labels, as necessary.

Safety Symbols

This table depicts and describes safety symbols that may appear on this product. Read, understand, and follow all instructions on the machine before attempting to assemble and operate.

Symbol	Description
	<p>READ THE OPERATOR'S MANUAL(S) Read, understand, and follow all instructions in the manual(s) before attempting to assemble and operate</p>
	<p>STOP Turn off the engine before opening the bagger cover.</p>



WARNING! Your Responsibility—Restrict the use of this power machine to persons who read, understand and follow the warnings and instructions in this manual and on the machine.

SAVE THESE INSTRUCTIONS!

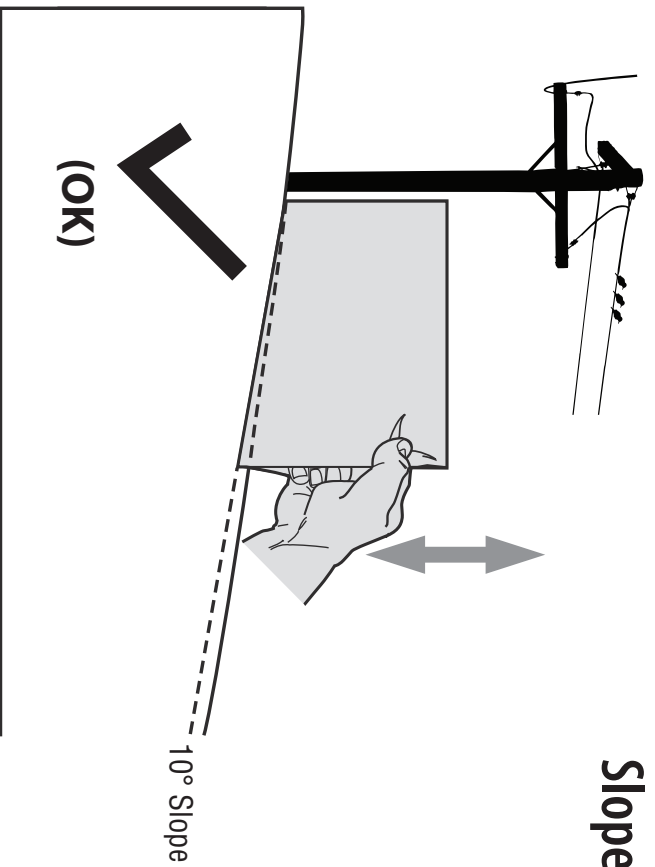


Figure 1

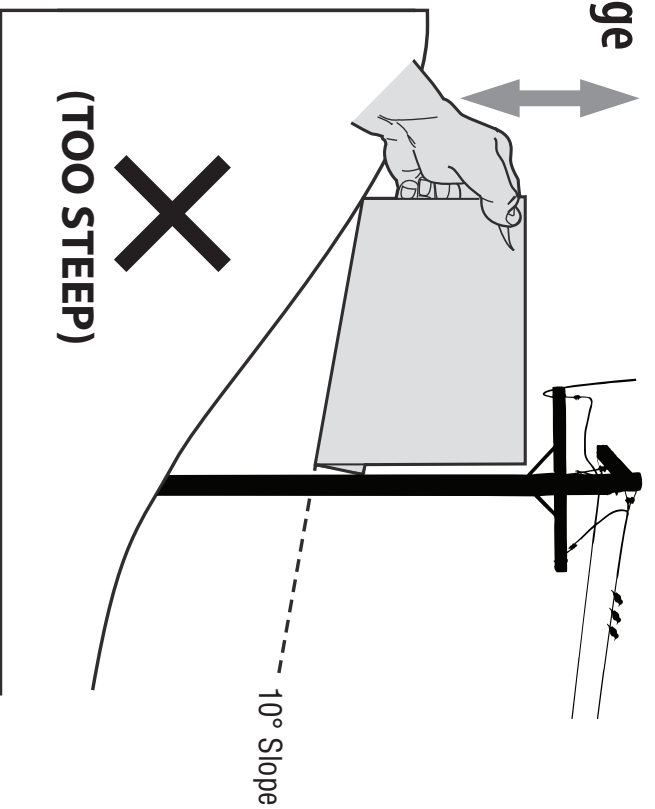


Figure 2

**USE THIS SLOPE GAUGE TO DETERMINE
IF A SLOPE IS TOO STEEP FOR SAFE OPERATION!**

- To check the slope, proceed as follows:
1. Remove this page and fold along the dashed line.
 2. Locate a vertical object on or behind the slope (e.g. a pole, building, fence, tree, etc.)
 3. Align either side of the slope gauge with the object (See Figure 1 and Figure 2).
 4. Adjust gauge up or down until the left corner touches the slope (See Figure 1 and Figure 2).
 5. If there is a gap below the gauge, the slope is too steep for safe operation (See Figure 2 above).

10° dashed line



WARNING! Slopes are a major factor related to tip-over and roll-over accidents which can result in severe injury or death. Do not operate machine on slopes in excess of 10 degrees. All slopes require extra caution. If you cannot back up the slope or if you feel uneasy on it, do not mow it. Always mow up and down slopes, never across the face of slopes.

Contents of Carton

3

Before beginning installation, remove all parts from the carton to make sure everything is present. Carton contents are listed below and shown in Figure 3-1.

- Two Grass Bag Assemblies
- Grass Catcher Hood
- Chute Tube
- Bag Support Assembly
- Mounting Bracket
- Counter Weight
- Counter Weight Mounting Bracket
- One Hardware Pack (*Detailed & Pictured on the next page*)

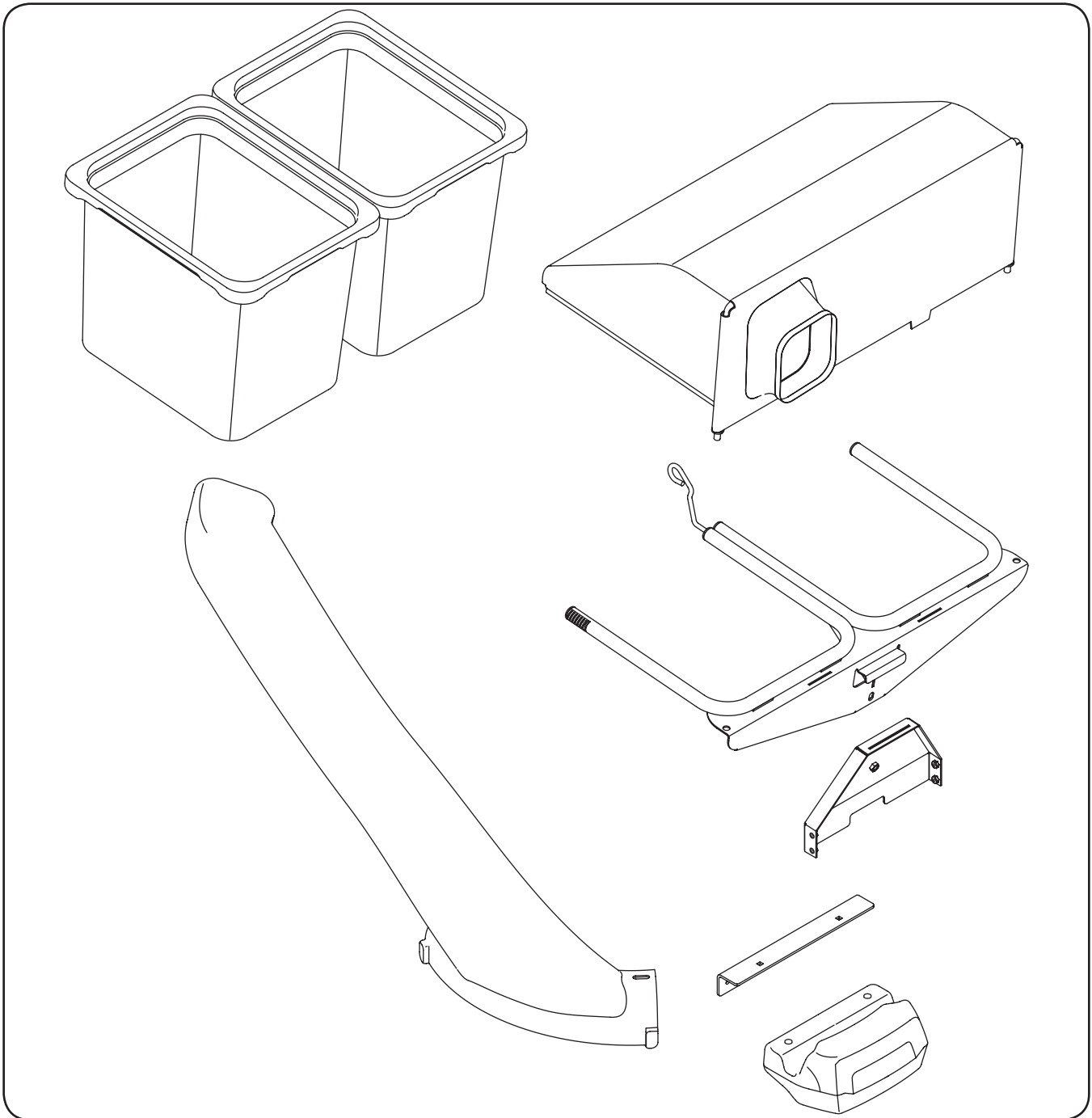


Figure 3-1

CONTENTS OF HARDWARE PACK

This grass collector kit is shipped with a hardware pack enclosed. Please check your hardware packs against Figure 3-2. The quantities for each item is listed in parenthesis and the part number is listed below.

Hardware Pack 683-05147

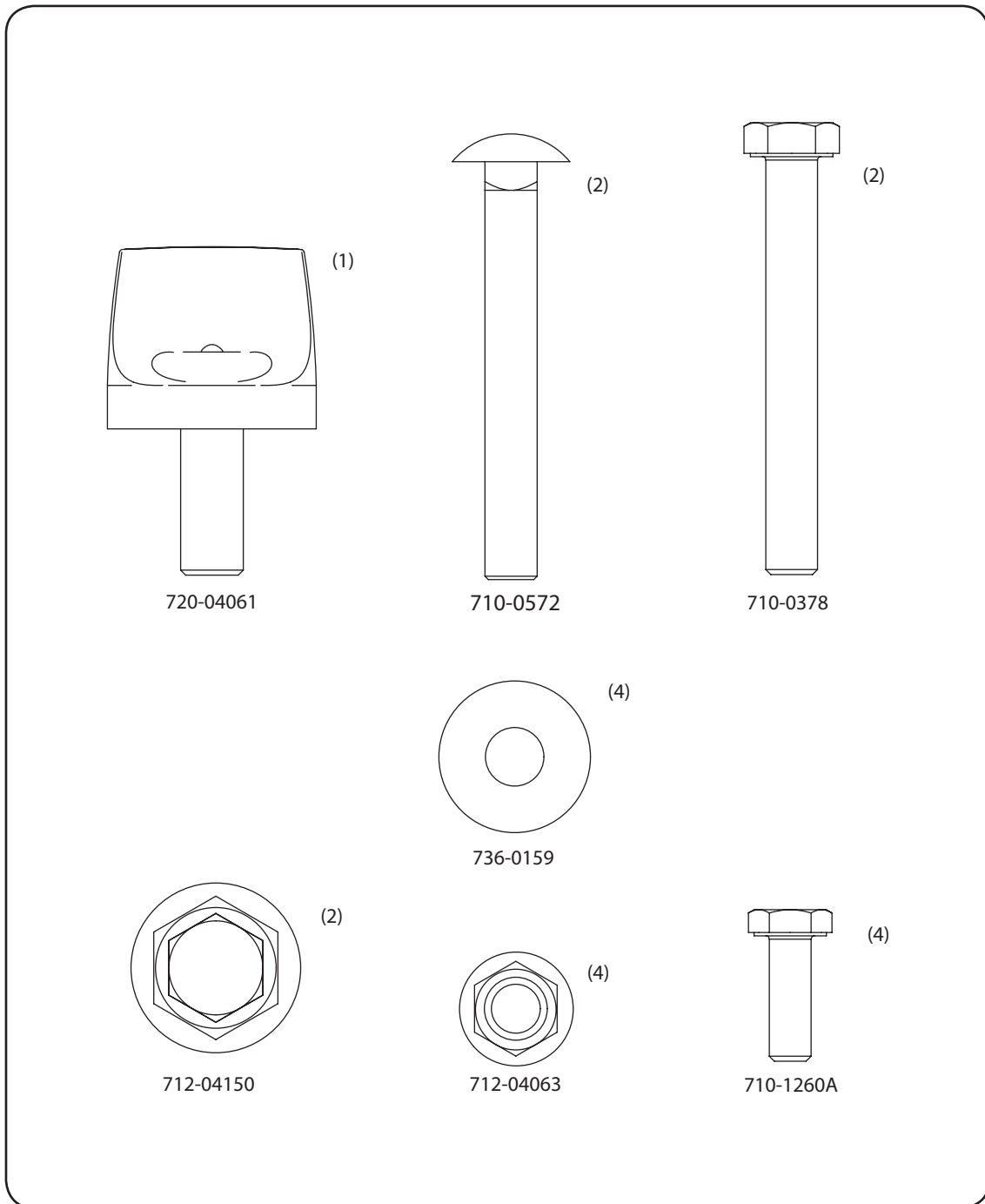


Figure 3-2

Installing the Bagger Assembly

To install the bagger mounting bracket, follow these steps:

1. Remove, and discard, the four self-tap bolts on the rear frame of the tractor, as shown in Figure 4-1.

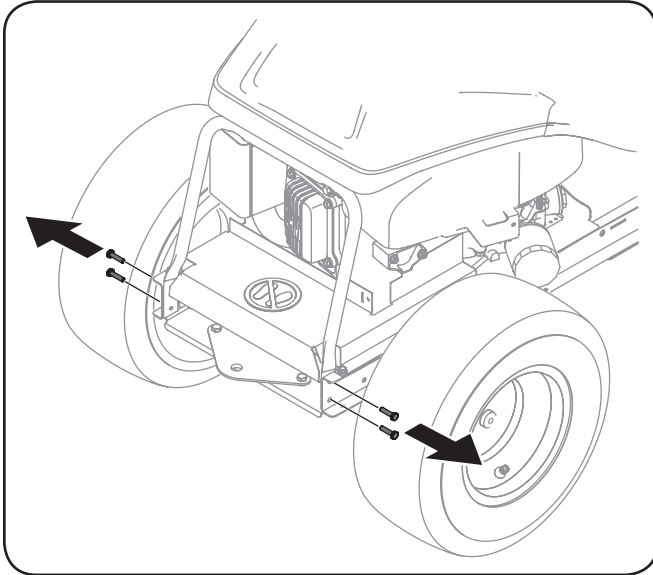


Figure 4-1

2. Install the bagger mounting bracket on the tractor, using four 710-1260A hex bolts from hardware pack 683-05147. Feed each hex bolt through the tractor frame, the rear hood mounting tube, and thread into the weld-nut on the bagger mounting bracket, as shown in Figure 4-2.

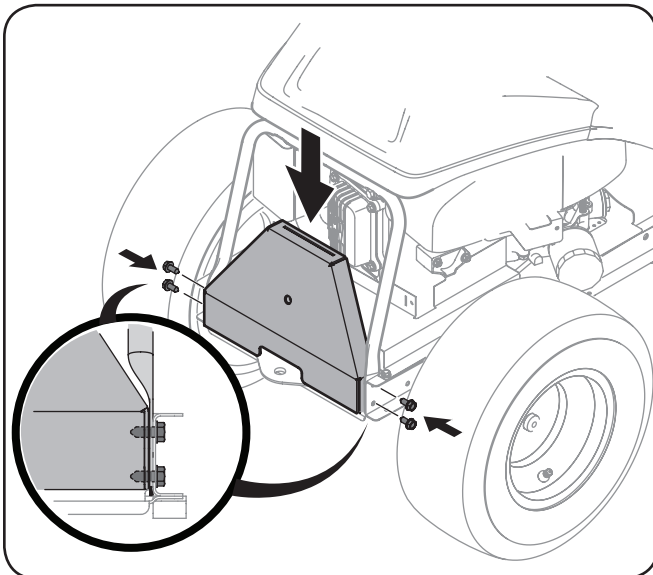


Figure 4-2

3. Install the grass-bag mounting assembly onto the bagger mounting bracket by lowering it down (1) and fitting the assembly into the slot provided in the mounting bracket. See the Inset in Figure 4-3.
4. Secure the grass-bag mounting assembly to the bagger mounting bracket using the attachment knob (720-04061) found in the hardware pack (683-05147). See (2) in Figure 4-3.

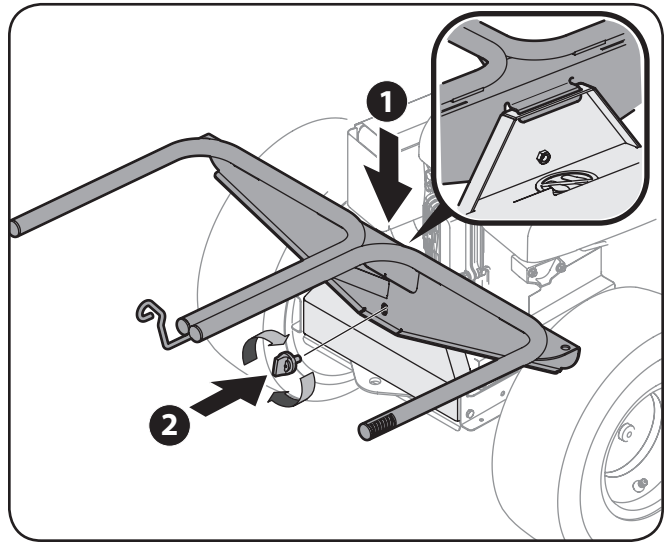


Figure 4-3

5. Remove the protective caps on the bagger cover hood mounting threads and attach the bagger hood over the grass-bag mounting assembly as shown in Figure 4-4. Align the tabs on the hood into the slots on the grass-bag mounting assembly. Secure the bagger hood using two flange lock nuts (712-04150) included in the same hardware pack.

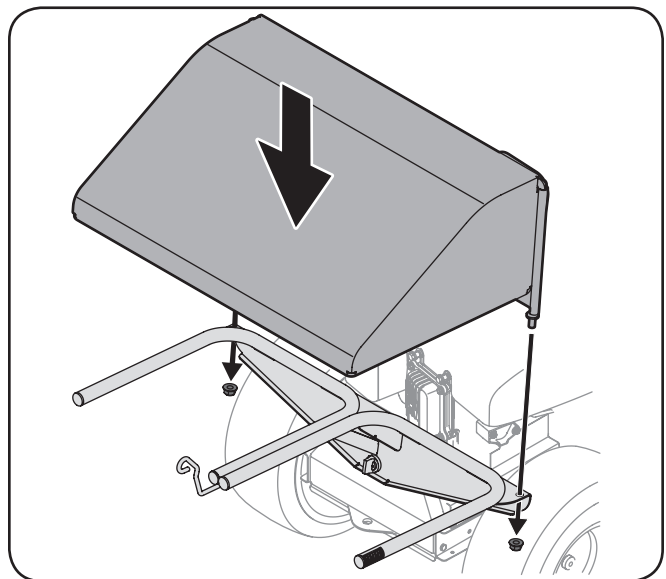


Figure 4-4

6. Install the bags onto the mounting frame as shown in Figure 4-5. Simply place the leading edge of the bag onto the front frame rail, then rock the bag backwards and down into place. Repeat for the second bag.

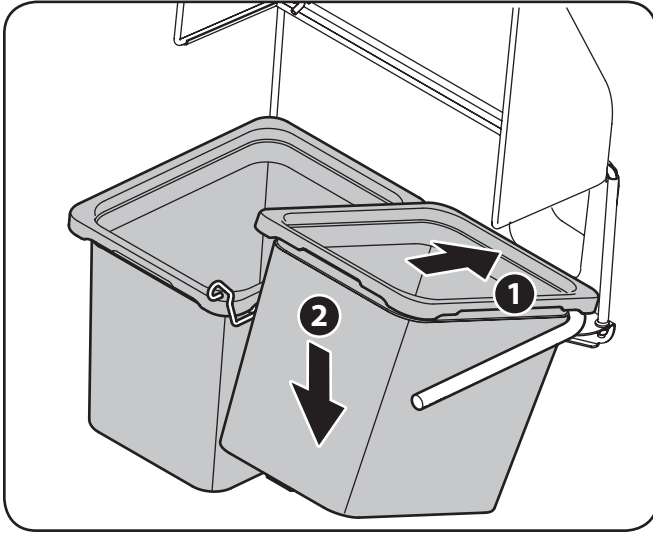


Figure 4-5

7. Remove the discharge chute, or mulch plug. Retain the wing knobs for installation of the deck chute in Step 10.
8. Insert the chute tube through the grass-catcher hood, in the opening provided. It is easiest to feed the end of the tube into the opening with the chute tube flipped upside down, then rotating right-side once inserted into the hood. See Figure 4-6.

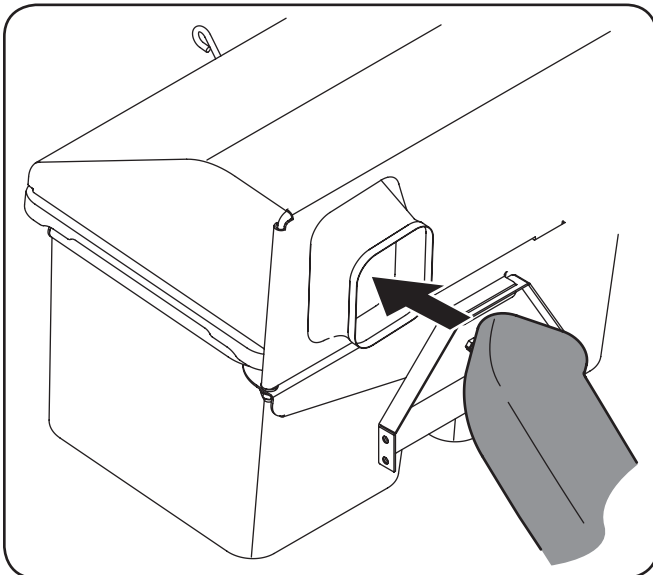


Figure 4-6

9. Mount the bagger chute tube to the deck of the tractor by lowering the chute tube over the mounting bolts in the mowing deck, as shown in Figure 4-7.
10. Secure the rear mounting bolt with a wing knob (1), then the front mounting bolt with another wing knob (2) as shown in Figure 4-7.

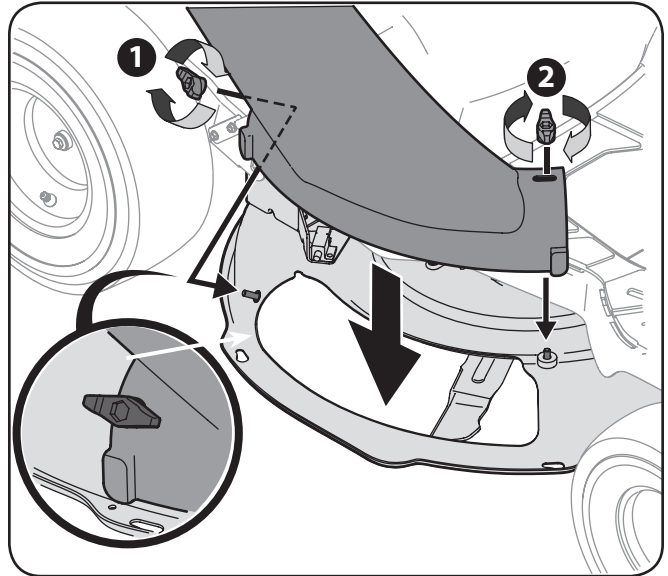


Figure 4-7

Assembling and Installing the Weight Bar

Assemble, then attach the weight bar to the front steering assembly using the hardware in pack 683-05147, as shown in Figure 4-8 and Figure 4-10.

1. Install the counter weight mounting bracket to the counter weight using two 710-0572 carriage bolts, two 736-0159 flat washers and two 712-04063 flange lock nuts from hardware pack 683-05147. See Figure 4-8.

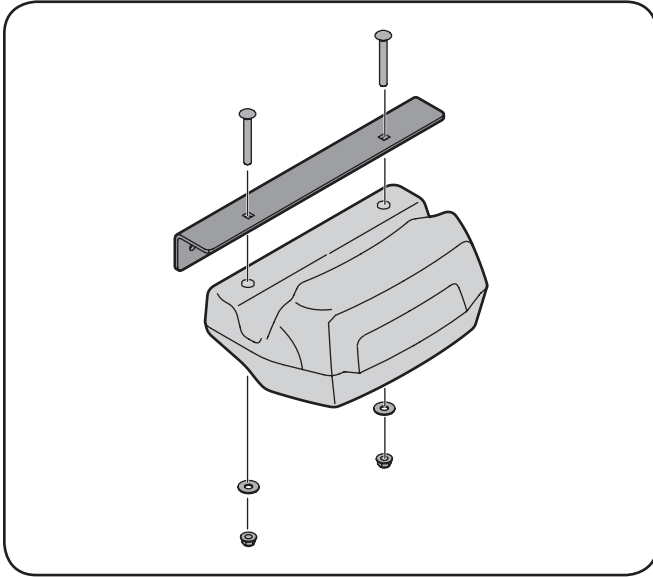


Figure 4-8

2. If present, remove the bumper from the tractor.
Note: Some tractors come equipped with a bumper installed. The bumper may be retained for later use in case in which the bagger is removed.

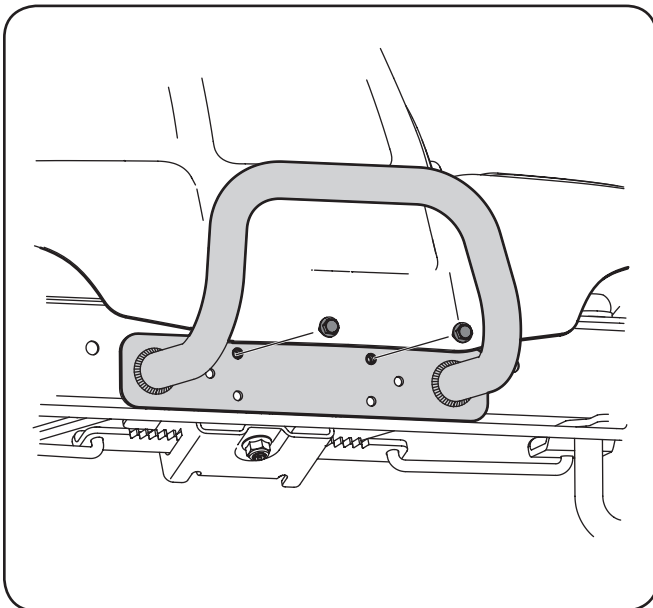


Figure 4-9

3. Secure the weight bar assembly to the tractor using two 710-0378 hex bolts, two 736-0159 flat washers and two 712-04063 flange lock nuts from hardware pack 683-05147.

Note: Use the top holes on the tractor frame.

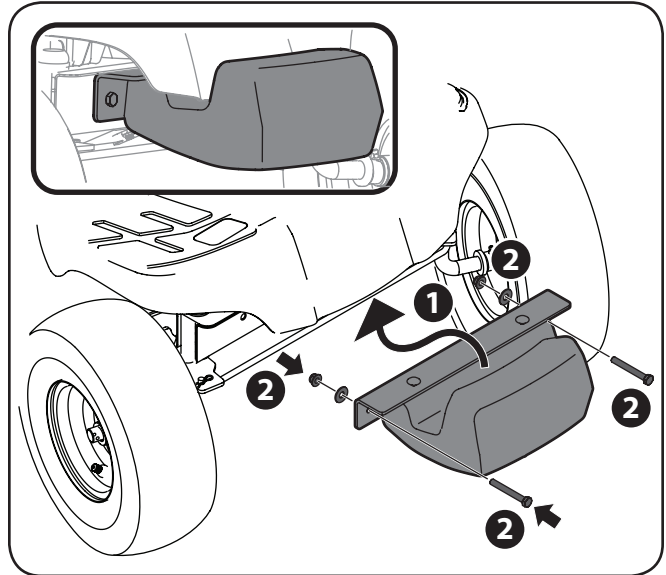


Figure 4-10

Bagger Usage

NOTE: When both grass bags are full, place the tractor on a firm, level surface, disengage the PTO, turn the tractor engine off and set the parking brake.

1. Open the grass bag cover by lifting the lower rear of the cover and pivoting it upwards. See Figure 5-1. It is not necessary to remove the discharge chute in order to empty the grass bags.

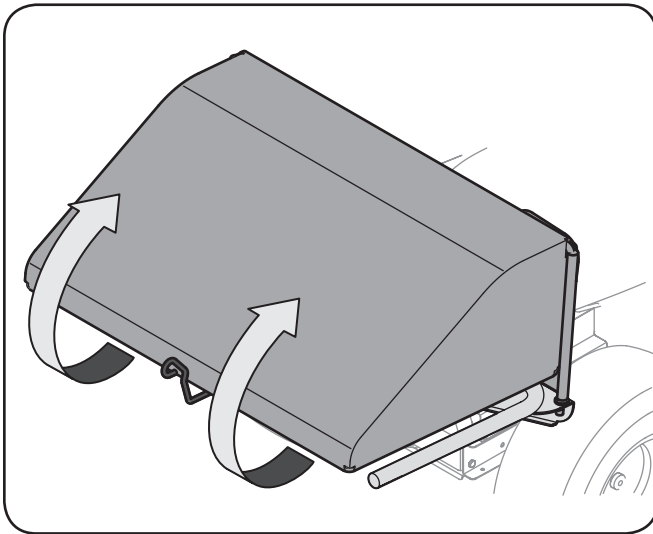


Figure 5-1

2. Remove the grass bags by lifting up the rear side of the bag and moving the bags away from the bag support assembly.

3. Empty the grass clippings at a proper disposal site. Holding the bag firmly, turn upside down, and empty the contents.
4. To reinstall the grass bags, insert the leading edge onto the bagger mount assembly (1 in Figure 5-2), and pivot the grass bag rearward and down as shown in 2 of Figure 5-2.

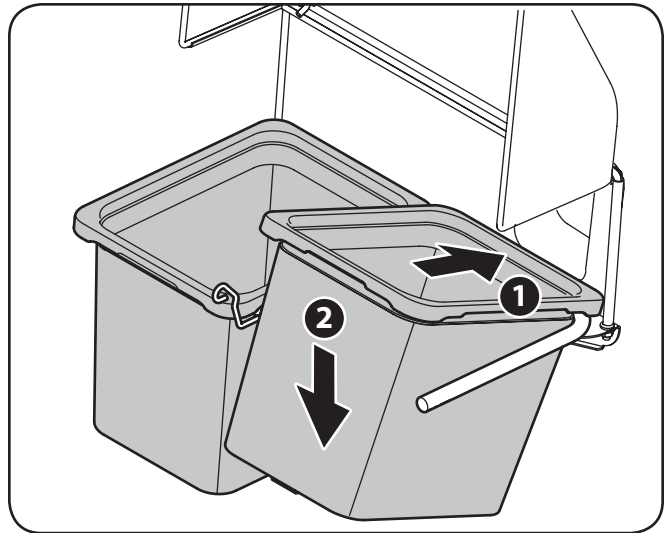
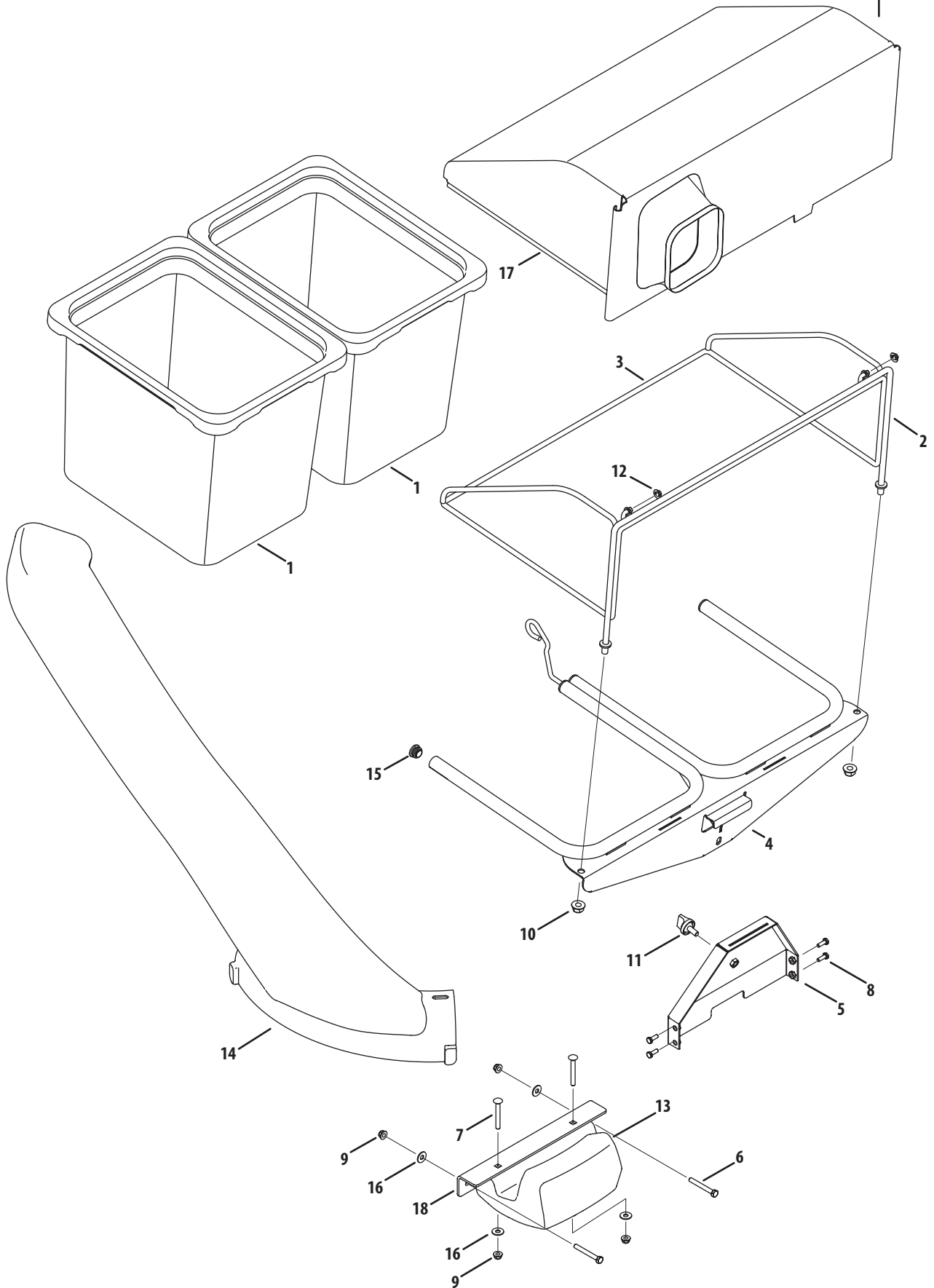


Figure 5-2

5. Close the grass bag cover, restart your tractor and resume cutting your grass.



Ref.	Part Number	Description
1.	964-04167	Grass Bag
2.	683-04771-0637	Front Hood Assembly Frame
3.	683-04772-0637	Rear Hood Assembly Frame
4.	683-04775-0637	Bagger Support Assembly
5.	683-05137-0637	Mounting Bracket
6.	710-0378	Hex Lock Screw, 5/16-18, 2.50
7.	710-0572	Carriage Bolt, 5/16-18, 2.50
8.	710-1260A	Hex Head Screw, 5/16-18, .750
9.	712-04063	Flange Lock Nut, 5/16-18
10.	712-04150	Flange Lock Nut, 1/2-13
11.	720-04061	Knob, 3/8-16, .875
12.	926-0100	Push Cap, 3/8 Rod
13.	731-09227	Weight
14.	731-09351	Chute Tube
15.	735-0246A	Plug End
16.	936-0159	Flat Washer, .349 x .879 x .063
17.	764-04148A	Grass Catcher Hood
18.	783-08135-0637	Weight Mounting Bracket

MANUFACTURER'S LIMITED WARRANTY FOR



The limited warranty set forth below is given by MTD LLC with respect to new merchandise purchased and used in the United States and/or its territories and possessions, and by MTD Products Limited with respect to new merchandise purchased and used in Canada and/or its territories and possessions (either entity respectively, "MTD").

"MTD" warrants this product (excluding its *Normal Wear Parts* and *Attachments* as described below) against defects in material and workmanship for a period of one (1) year commencing on the date of original purchase and will, at its option, repair or replace, free of charge, any part found to be defective in materials or workmanship. This limited warranty shall only apply if this product has been operated and maintained in accordance with the Operator's Manual furnished with the product, and has not been subject to misuse, abuse, commercial use, neglect, accident, improper maintenance, alteration, vandalism, theft, fire, water, or damage because of other peril or natural disaster. Damage resulting from the installation or use of any part, accessory or attachment not approved by MTD for use with the product(s) covered by this manual will void your warranty as to any resulting damage.

Normal Wear Parts are warranted to be free from defects in material and workmanship for a period of thirty (30) days from the date of purchase. Normal wear parts include, but are not limited to items such as: batteries, belts, blades, blade adapters, tines, grass bags, wheels, rider deck wheels, seats, snow thrower skid shoes, friction wheels, shave plates, auger spiral rubber and tires.

Attachments — MTD warrants attachments for this product against defects in material and workmanship for a period of one (1) year, commencing on the date of the attachment's original purchase or lease. Attachments include, but are not limited to items such as: grass collectors and mulch kits.

HOW TO OBTAIN SERVICE: Warranty service is available, WITH PROOF OF PURCHASE, through your local authorized service dealer. To locate the dealer in your area:

In the U.S.A.

Check your Yellow Pages, or contact MTD LLC at P.O. Box 361131, Cleveland, Ohio 44136-0019, or call 1-800-800-7310, 1-330-220-4683 or log on to our Web site at www.mtdproducts.com.

In Canada

Contact MTD Products Limited, Kitchener, ON N2G 4J1, or call 1-800-668-1238 or log on to our Web site at www.mtdcanada.com.

This limited warranty does **not** provide coverage in the following cases:

- a. Log splitter pumps, valves, and cylinders have a separate one-year warranty.

- b. Routine maintenance items such as lubricants, filters, blade sharpening, tune-ups, brake adjustments, clutch adjustments, deck adjustments, and normal deterioration of the exterior finish due to use or exposure.
- c. Service completed by someone other than an authorized service dealer.
- d. MTD does not extend any warranty for products sold or exported outside of the United States and/or Canada, and their respective possessions and territories, except those sold through MTD's authorized channels of export distribution.
- e. Replacement parts that are not genuine MTD parts.
- f. Transportation charges and service calls.
- g. MTD does not warrant this product for commercial use.

No implied warranty, including any implied warranty of merchantability or fitness for a particular purpose, applies after the applicable period of express written warranty above as to the parts as identified. No other express warranty, whether written or oral, except as mentioned above, given by any person or entity, including a dealer or retailer, with respect to any product, shall bind MTD. During the period of the warranty, the exclusive remedy is repair or replacement of the product as set forth above.

The provisions as set forth in this warranty provide the sole and exclusive remedy arising from the sale. MTD shall not be liable for incidental or consequential loss or damage including, without limitation, expenses incurred for substitute or replacement lawn care services or for rental expenses to temporarily replace a warranted product.

Some states do not allow the exclusion or limitation of incidental or consequential damages, or limitations on how long an implied warranty lasts, so the above exclusions or limitations may not apply to you.

In no event shall recovery of any kind be greater than the amount of the purchase price of the product sold. **Alteration of safety features of the product shall void this warranty.** You assume the risk and liability for loss, damage, or injury to you and your property and/or to others and their property arising out of the misuse or inability to use the product.

This limited warranty shall not extend to anyone other than the original purchaser or to the person for whom it was purchased as a gift.

HOW STATE LAW RELATES TO THIS WARRANTY: This limited warranty gives you specific legal rights, and you may also have other rights which vary from state to state.

IMPORTANT: Owner may be required to present proof of purchase to obtain warranty coverage.

MTD LLC, P.O. BOX 361131 CLEVELAND, OHIO 44136-0019; Phone: 1-800-800-7310, 1-330-220-4683
MTD Canada Limited - KITCHENER, ON N2G 4J1; Phone 1-800-668-1238