
OPERATOR'S MANUAL

Table of Contents

<i>Identify The Model of Tractor</i>	2	<i>Operation</i>	10
<i>Safe Operation Practices</i>	3	<i>Español</i>	
<i>Carton Contents & Hardware Packs</i>	5	<i>Français</i>	
<i>Assembly & Installation</i>	6	<i>Warranty</i>	See Separate Supplement

Twin Rear Bagger — Models 19A30031OEM & 19A30031100

WARNING

**READ AND FOLLOW ALL SAFETY RULES AND INSTRUCTIONS IN THIS MANUAL
BEFORE ATTEMPTING TO OPERATE THIS MACHINE.
FAILURE TO COMPLY WITH THESE INSTRUCTIONS MAY RESULT IN PERSONAL INJURY.**

NOTE: This Installation Manual covers several models. Features may vary by model. Not all features in this manual are applicable to all models and the model depicted may differ from yours.



Thank You

Thank you for purchasing this product. It was carefully engineered to provide excellent performance when properly operated and maintained.

Please read this entire manual prior to operating the equipment. It instructs you how to safely and easily set up, operate and maintain this equipment. Please be sure that you, and any other persons who will operate the machine, carefully follow the recommended safety practices at all times. Failure to do so could result in personal injury or property damage.

All information in this manual is relative to the most recent product information available at the time of printing. Review this manual frequently to familiarize yourself with the attachment, its features and operation. Please be aware that this Operator's Manual may cover a range of product specifications for various models.

Characteristics and features discussed and/or illustrated in this manual may not be applicable to all models. We reserve the right to change product specifications, designs and equipment without notice and without incurring obligation.

If you have any problems or questions concerning this attachment, phone your local authorized service dealer or contact us directly. Customer Support telephone numbers, website address and mailing address can be found on the separate supplement sheet. We want to ensure your complete satisfaction at all times.

Throughout this manual, all references to *right* and *left* side of the machine are observed from the operating position unless otherwise noted.

Record Product Information

Before setting up and operating your new equipment, please locate the model plate on the equipment and record the information in the provided area to the right. From the operator's position, locate the model plate in the front, left portion of the plastic grass catcher cover. This information will be necessary, should you seek technical support via our website, Customer Support Department, or with a local authorized service dealer.

MODEL NUMBER

--	--	--	--	--	--	--	--	--	--	--	--

SERIAL NUMBER

--	--	--	--	--	--	--	--	--	--	--	--

Identify The Model of Tractor

This manual is designed for installation of this new bagging unit on several different models of tractors. It is important for you to determine which model of tractor that you have. Once this is known, follow the pertinent set of instructions on the following pages.

NOTE: Read and observe all WARNING, NOTES and IMPORTANT statements. They are included to provide for the protection of the equipment installer and user, and to ensure the prolonged service life of the equipment.

NOTE: References to LEFT and RIGHT indicate the left and right sides of the tractor when facing forward in the operator's position. Reference to the FRONT indicates the grille end; to the REAR, the rear end of the rider.

To determine which model of rider you have, you will need to locate the rider's model plate, located under the seat. Simply flip the seat up and locate the model plate, which will consist of an 11 digit/letter model number and a serial number. See Figure 1-1. For ease in this installation and for future use, copy your rider's model number & serial number below now:

Rider Model Number:

--	--	--

Rider Serial Number: _____

The 5th, 6th & 7th numbers from the left in your model number determine your rider's model series. See Figure 1-2.

When you fill in your model number in the space above, the actual model series number should fall into the gray shaded area.

Now that you have determined what model rider you are attaching this grass bag collection system to, follow the instructions on the following pages according to your model of rider.

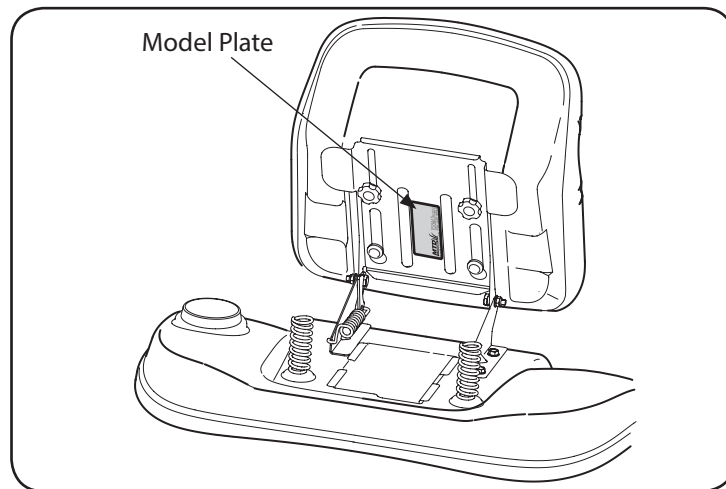


Figure 1-1

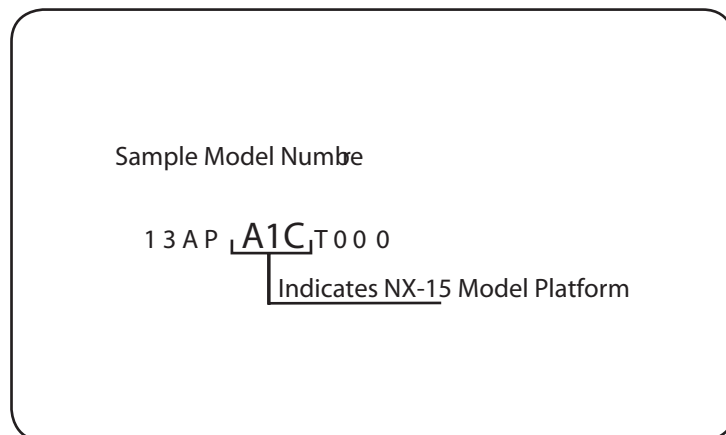





Figure 1-2

Important Safe Operation Practices

-  **WARNING!** This symbol points out important safety instructions which, if not followed, could endanger the personal safety and/or property of yourself and others. Read and follow all instructions in this manual before attempting to operate this machine. Failure to comply with these instructions may result in personal injury. When you see this symbol. **HEED ITS WARNING!**
-  **DANGER!** This attachment was built to be used according to the safe operation practices in this manual. Carelessness or error on the part of the operator can result in serious injury. Mowers are capable of amputating hands and feet and throwing objects. Failure to observe the following safety instructions as well as the instructions provided with your mower, could result in serious injury or death.



CALIFORNIA PROPOSITION 65
WARNING! This product contains a chemical(s) known to the State of California to cause cancer, birth defects or other reproductive harm.

General Operation

1. Read, understand, and follow all instructions on your equipment and in their manuals before attempting to assemble and operate. Keep this manual in a safe place for future and regular reference and for ordering replacement parts.
2. To help avoid blade contact or a thrown object injury, keep bystanders, helpers, children and pets at least 75 feet from the mower while it is in operation. Stop machine if anyone enters the area.
3. Thoroughly inspect the area where the equipment is to be used. Remove all stones, sticks, wire, bones, toys, and other foreign objects which could be picked up and thrown by the blade(s). Thrown objects can cause serious personal injury.
4. Always wear safety glasses or safety goggles during operation and while performing an adjustment or repair to protect your eyes. Thrown objects which ricochet can cause serious injury to the eyes.
5. Do not operate the mower without the discharge cover or entire grass catcher in its proper place. A missing or damaged discharge cover or grass bag attachment component may result in thrown objects or blade contact injuries.
6. Do not put hands or feet near rotating parts or under the cutting deck. Contact with the blade(s) can amputate hands and feet.
7. Shut off mower's engine and wait for blades to come to a complete stop before unclogging mower's discharge opening or bagger parts.
8. Slow down before turning. Operate the machine smoothly. Avoid erratic operation and excessive speed. Be aware that a grass catcher attachment can affect the handling characteristics of your mower.
9. Disengage blade(s), set parking brake, stop engine and wait until the blade(s) come to a complete stop before opening bagger attachment's top cover, removing grass catcher, emptying grass, unclogging chute, removing any grass or debris, or making any adjustments. Never leave a running machine unattended. Always turn off blade(s), place transmission in neutral, set parking brake, stop engine and remove key before dismounting.

10. Your machine is designed to cut normal residential grass. Do not attempt to mow through unusually tall, dry grass (e.g., pasture) or piles of dry leaves. Dry grass or leaves may contact the engine exhaust and/or build up on the mower deck presenting a potential fire hazard.
11. If situations occur which are not covered in this manual, use care and good judgment. Contact your customer service representative for assistance.

Slope Operation

Slopes are a major factor related to loss of control and tip-over accidents which can result in severe injury or death. Attachments can also affect the stability of the machine. All slopes require extra caution.

For your safety, use the slope gauge included as part of this manual to estimate the angle of slopes before operating this machine on a sloped or hilly area. If the slope is greater than 10 degrees as shown on the slope gauge, do not operate the mower with the grass bag attachment installed on that area or serious injury could result.

Do:

1. Mow up and down slopes, not across. Exercise extreme caution when changing direction on slopes.
2. Watch for holes, ruts, bumps, rocks, or other hidden objects. Uneven terrain could overturn the machine. Tall grass can hide obstacles.
3. Use slow speed. Choose a low enough speed setting so that you will not have to stop or shift while on the slope. Tires may lose traction on slopes even though the brakes are functioning properly. Always keep machine in gear when going down slopes to take advantage of engine braking action.
4. Follow the manufacturer's recommendations for wheel weights or counterweights to improve stability. Keep all movement on the slopes slow and gradual. Do not make sudden changes in speed or direction. Rapid engagement or braking could cause the front of the machine to lift and rapidly flip over backwards which could cause serious injury.
5. Avoid starting or stopping on a slope. If tires lose traction, disengage the blade(s) and proceed slowly straight down the slope.

Do Not:



1. Do not turn on slopes unless necessary; then, turn slowly and gradually downhill, if possible.
2. Do not mow near drop-offs, ditches or embankments. The mower could suddenly turn over if a wheel is over the edge of a cliff, ditch, or if an edge caves in.
3. Do not try to stabilize the machine by putting your foot on the ground.
4. Do not use a grass catcher on steep slopes.
5. Do not mow on wet grass. Reduced traction could cause sliding.


General Service

1. Before cleaning, repairing, or inspecting, make certain the blade(s) and all moving parts have stopped. Disconnect the spark plug wire and ground against the engine to prevent unintended starting.
2. Keep all nuts, bolts, and screws tight to be sure the equipment is in safe working condition.
3. Never tamper with your mower's safety interlock system or other safety devices. Check their proper operation regularly.
4. Never attempt to make adjustments or repairs while the mower's engine is running.
5. Grass catcher components and the discharge cover are subject to wear and damage which could expose moving parts or allow objects to be thrown. For safety protection, frequently check components and replace immediately with original equipment manufacturer's (O.E.M.) parts only, listed in this manual. Use of parts which do not meet the original equipment specifications may lead to improper performance and compromise safety!
6. Maintain or replace safety and instruction labels, as necessary.

Safety Symbols

This table depicts and describes safety symbols that may appear on this product. Read, understand, and follow all instructions on the machine before attempting to assemble and operate.

Symbol	Description
	READ THE OPERATOR'S MANUAL(S) Read, understand, and follow all instructions in the manual(s) before attempting to assemble and operate.
	STOP Turn OFF the engine before opening the bagger cover.



WARNING! Your Responsibility—Restrict the use of this power machine to persons who read, understand and follow the warnings and instructions in this manual and on the machine.

SAVE THESE INSTRUCTIONS!

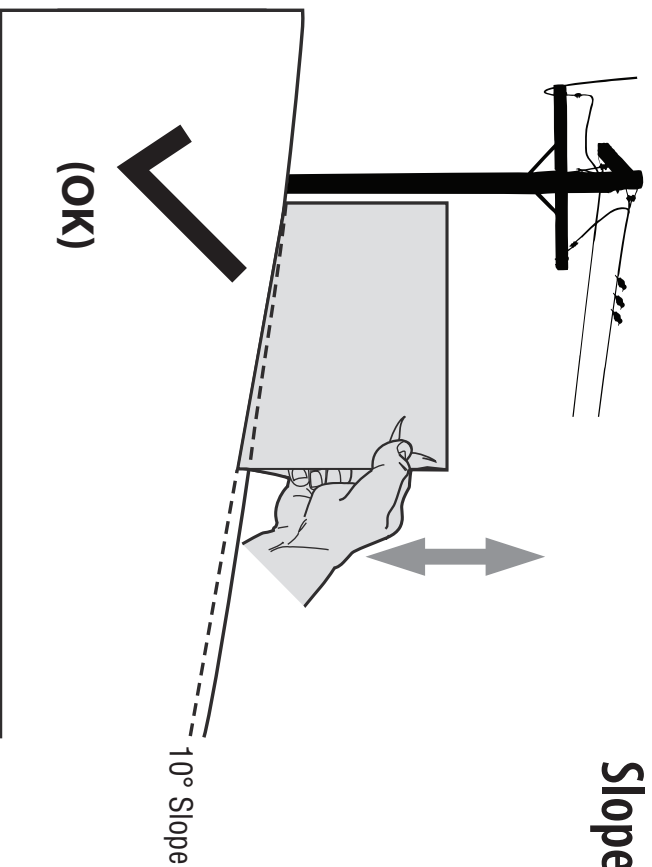


Figure 1

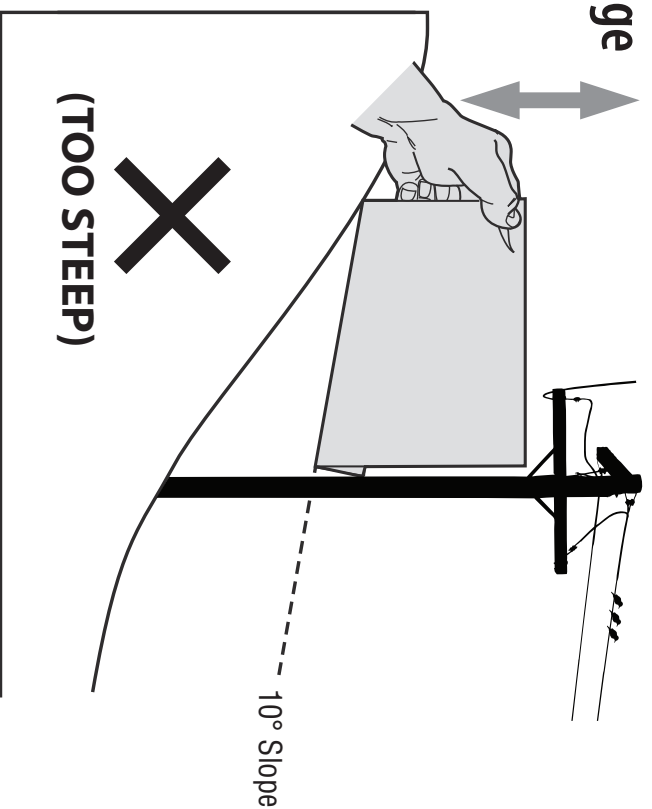


Figure 2

**USE THIS SLOPE GAUGE TO DETERMINE
IF A SLOPE IS TOO STEEP FOR SAFE OPERATION!**

To check the slope, proceed as follows:

1. Remove this page and fold along the dashed line.
2. Locate a vertical object on or behind the slope (e.g. a pole, building, fence, tree, etc.)
3. Align either side of the slope gauge with the object (See Figure 1 and Figure 2).
4. Adjust gauge up or down until the left corner touches the slope (See Figure 1 and Figure 2).
5. If there is a gap below the gauge, the slope is too steep for safe operation (See Figure 2 above).

10° dashed line

Slope Gauge

(OK)

(TOO STEEP)

10° Slope

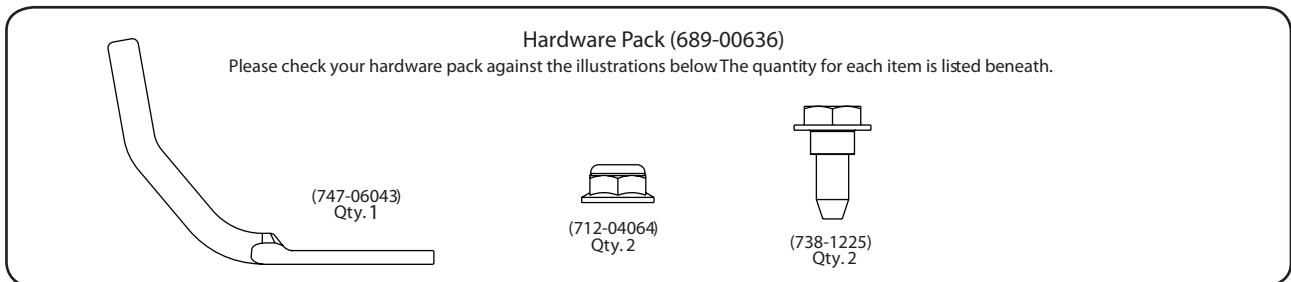
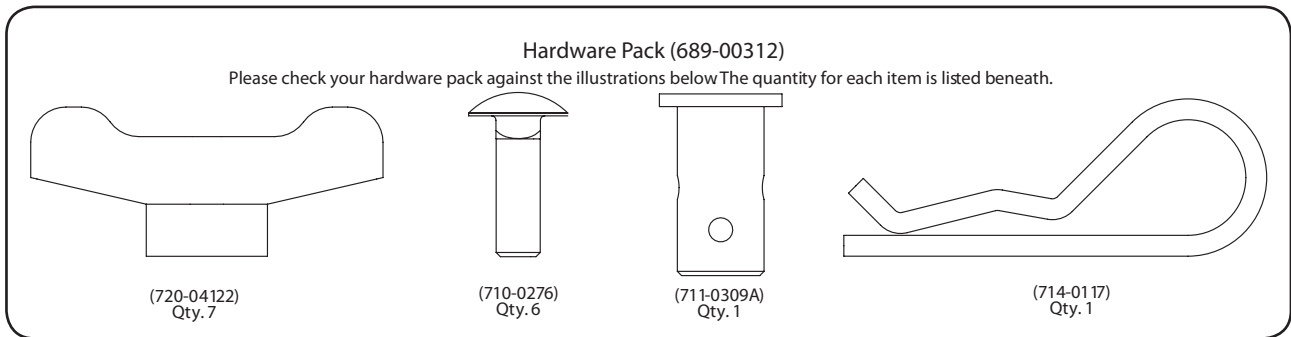
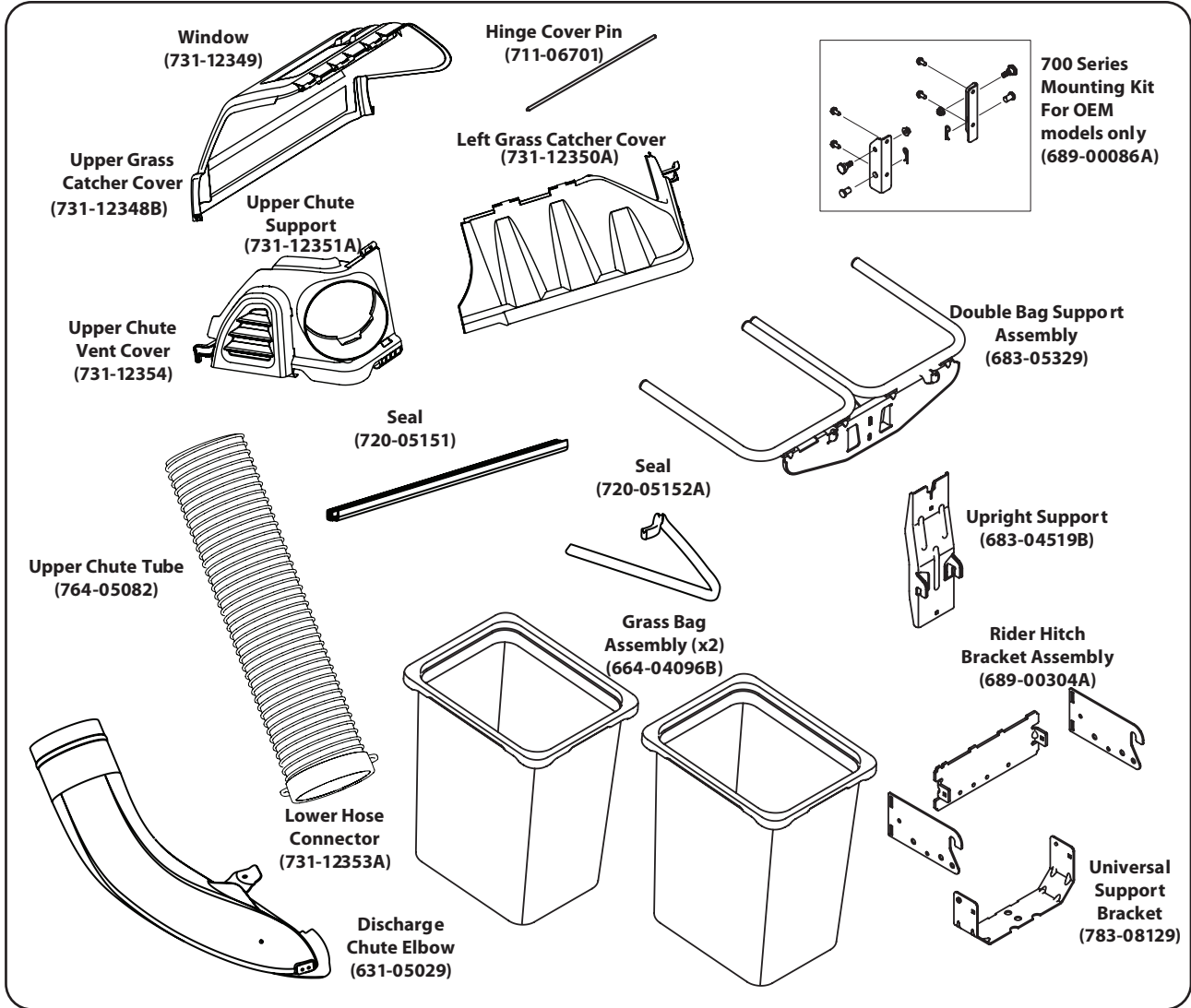
10° Slope



WARNING! Slopes are a major factor related to tip-over and roll-over accidents which can result in severe injury or death. Do not operate machine on slopes in excess of 10 degrees. All slopes require extra caution. If you cannot back up the slope or if you feel uneasy on it, do not mow it. Always mow up and down slopes, never across the face of slopes.

Contents of Carton

Before beginning installation, remove all parts from the carton to make sure everything is present. Carton contents are shown below. Part numbers for the hardware are listed in parenthesis. This grass collector kit is shipped with hardware pack 689-00312 enclosed and one hardware pack included in the mounting bracket kit.



700 Series Tractors Only

If you are assembling this bagger unit for use on any model 700 series tractor you will need to install the tractor mounting brackets packed in your bagger kit. If you are installing this bagger unit on any other tractor, disregard these steps and continue to Assemble Mounting Brackets. To determine which model of tractor you are installing this bagger on, refer to page 3 of this manual.

To install these brackets on a model 700 series tractor, follow these steps:

1. If not already installed by the factory, install a shoulder bolt from your hardware pack on each bracket, securing them with flange lock nuts also included in the hardware pack. Refer to Figure 4-1.
2. If already installed in the brackets, remove the clevis pins and clips, retain for later instructions. Refer to Figure 4-1.

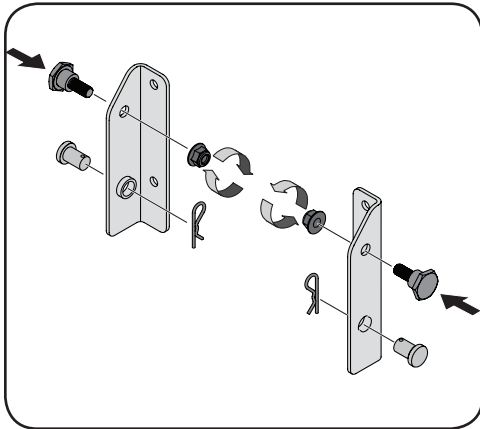


Figure 4-1

3. Mount the 700 series tractor mounting brackets to your tractor using four self-tapping hex screws included with your kit. See Figure 4-2.

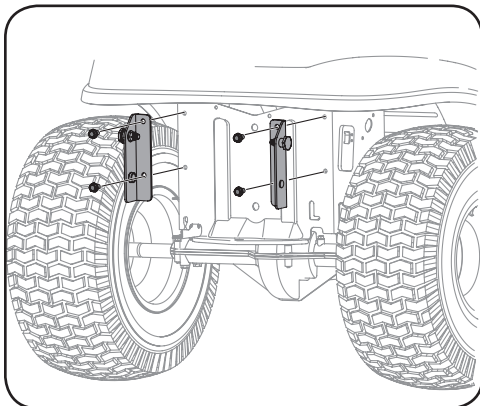


Figure 4-2

Assemble Mounting Brackets

To assemble the bagger mounting assembly, locate the mounting assembly pack and follow these steps:

1. Attach the two hitch side brackets to the universal rear attachment bracket using two carriage bolts (710-0276) and wing knobs (720-04122) from hardware pack 689-00312.

NOTE: The hooks on the side brackets should point downwards and the tabs on the rear plate point upwards as shown in Figure 4-3.

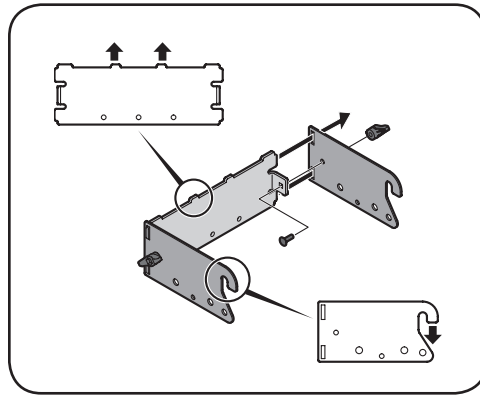


Figure 4-3

2. Flip over assembly and mount the hitch support bracket to the mounting assembly as shown in Figure 4-4.

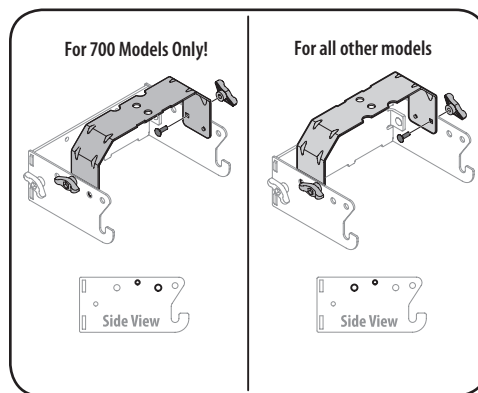


Figure 4-4

NOTE: It might be easier during the mounting stage to leave this hardware only finger tight to facilitate lining up the hitch hole for the clevis pin. You will be instructed to tighten this hardware later in this manual.

NOTE: The holes closest to the mounting hooks are to be used for all 700 model series machines, while the two holes closest to the cross mount are for all other models. The hitch support bracket will need to be flipped to enable alignment of the proper holes depending on the model of machine this bagger is being installed on. See Figure 4-4.

Mount Assembly on Tractor (All Other Tractors)

Install mounting assembly onto 900 Series tractors as follows:

1. Place the hooked ends of the mounting assembly over the shoulder bolts on the back of the tractor frame, as shown in Figure 4-5, and line up the hitch support bracket center hole with the hole on the tractor's hitch.

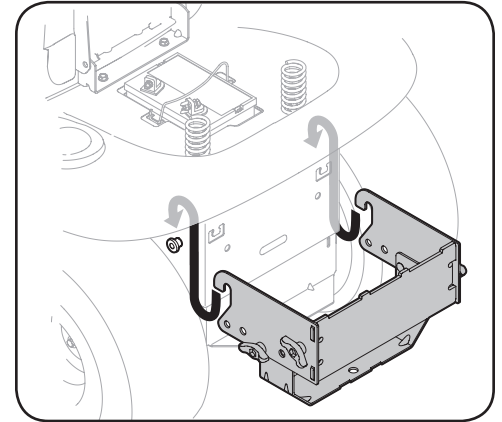


Figure 4-5

2. Install the clevis pin (711-0309A) from hardware pack 689-00328A into the tractor's hitch and secure with a hairpin clip (714-0117). See Figure 4-6.

NOTE: The clevis pin can be fed down through the hitch plate and secured underneath with the hairpin clip, or it may be easier to feed the clevis pin up through the hitch plate hole and secure with the hairpin clip on the topside. Insert the hairpin clip into the top hole, closest to the head of the pin. You may need to push up on the pin to make the hole accessible.

IMPORTANT! If you decided to leave the hitch support only finger tight during the assembly process, tighten all of the hardware securely at this time.

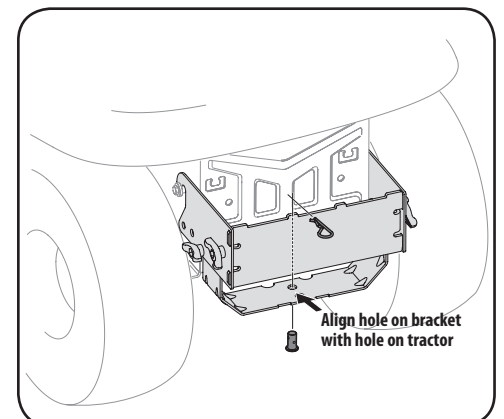


Figure 4-6

Mount Assembly on Tractor (700 Series Tractors)

1. Place the hooked ends of the mounting assembly over the shoulder bolts, as in Figure 4-7, on the mounting brackets previously installed on the tractor and line up the hitch support bracket center hole with the hole on the tractor's hitch.

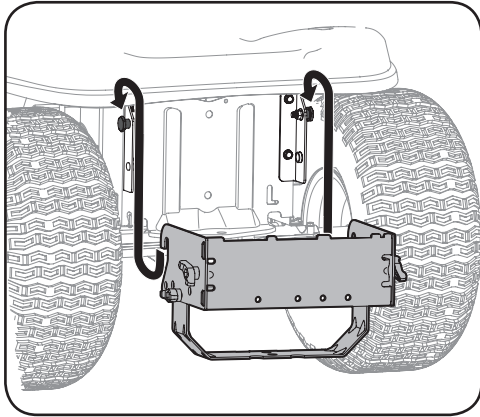


Figure 4-7

2. Install the clevis pin (711-0309A) from hardware pack 689-00328A into the tractor's hitch and secure with a hairpin clip (714-0117). See Figure 4-8.

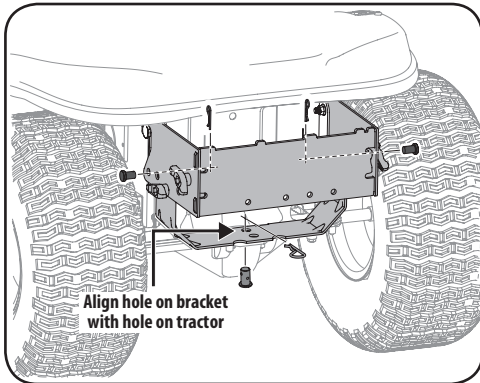


Figure 4-8

NOTE: The clevis pin can be fed down through the hitch plate and secured underneath with the hairpin clip, or it may be easier to feed the clevis pin up through the hitch plate hole and secure with the hairpin clip on the topside. Insert the hairpin clip into the top hole, closest to the head of the pin. You may need to push up on the pin to make the hole accessible.

3. Install two clevis pins through the mounting assembly and secure to the 700 series mounting brackets installed earlier with click pins provided in the hardware pack. See Figure 4-8.

IMPORTANT! If you decided to leave the hitch support only finger tight during the assembly process, tighten all of the hardware securely at this time.

Install the bagger hanger assembly

1. Install the upright support bracket onto the mounting assembly on the tractor by hooking it over the cross mounting bracket. See Figure 4-9.
2. Align the upright support bracket with the hole labeled "B". See inset in Figure 4-9.

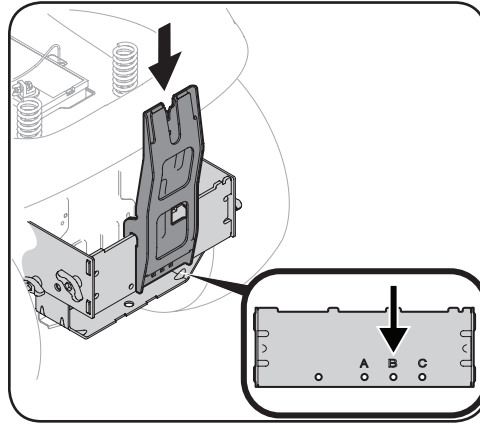


Figure 4-9

3. Secure the bag support assembly to the mounting assembly using a carriage bolt (710-0276) and wing knob (720-04122) from hardware pack 689-00328A. See Figure 4-10.

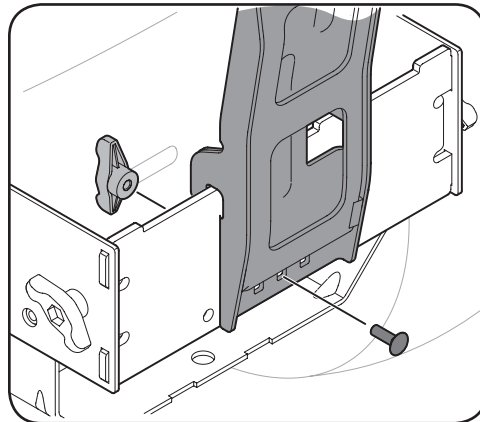


Figure 4-10

4. Install the hanger assembly onto the upright support bracket using a carriage bolt (710-0276) and wing knob (720-04122) from hardware pack 689-00328A. See Figure 4-11.

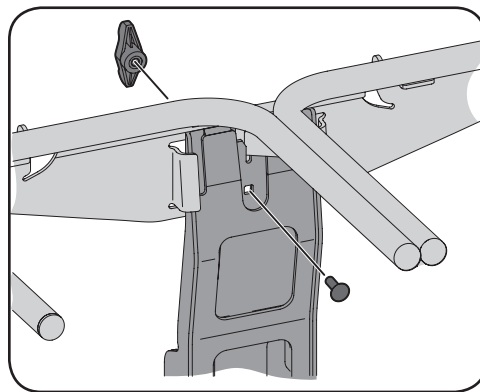


Figure 4-11

Assembling Remaining Bagger Components

With the mounting brackets assembled and in place on the tractor, follow these steps to assemble the remaining bagger components.

1. Tilt the front of the upper chute support slightly forward. Slide the clip behind the tab, then snap the front latch to the rail, as shown in (1) of Figure 4-12.
2. Snap the upper chute support in place by first clipping the side portion onto the bagger support rail. See (2) in Figure 4-12.

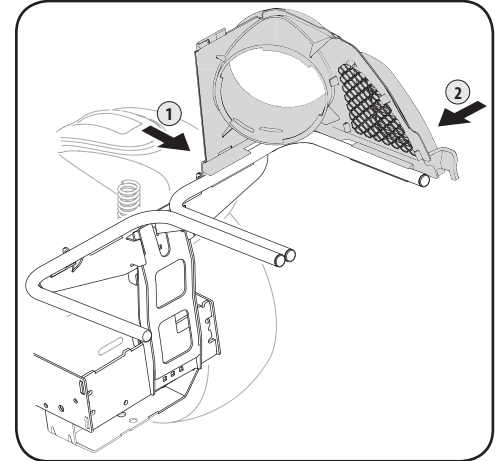


Figure 4-12

3. Slide the left side grass catcher cover over the upper chute support and the bag support assembly. Carefully latch the two tabs in place into the front of the upper chute support, see 1 in Figure 4-13. Fit the snaps onto the left side bagger rail support. See 2 in Figure 4-13.

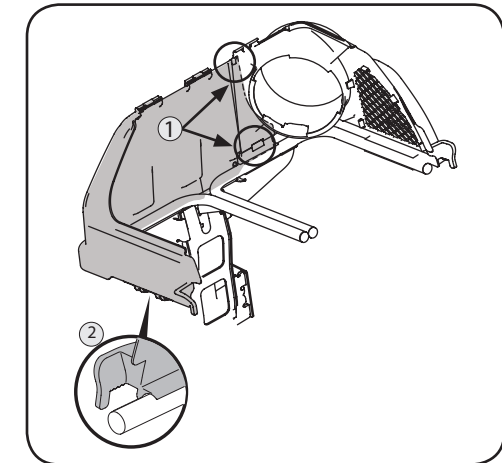


Figure 4-13

- If not already installed, apply seals (720-05151) and (720-05152A) to the underside of the upper grass catcher cover (731-12348A) as shown below. See Figure 4-14.

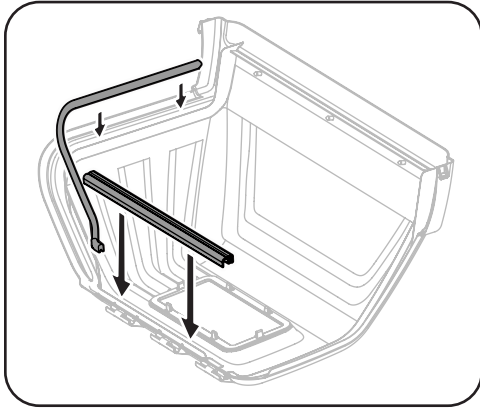


Figure 4-14

- From the front of the assembly, line up the tabs on the upper grass catcher cover with the tabs at the front of the upper chute support. Slide the hinge pin through the slots beginning at the right side upper chute support of the mounting tabs, as in Figure 4-15. Push the pin all the way in until it reaches the end-stop.

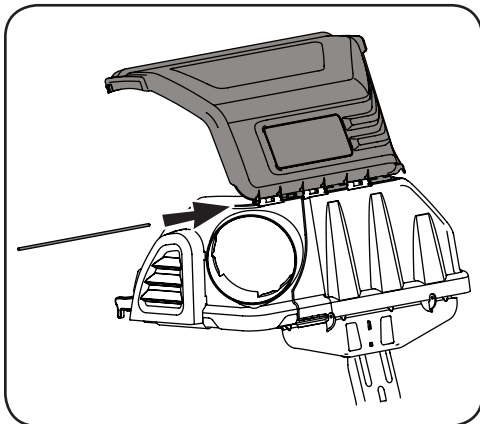


Figure 4-15

NOTE: The pin clips into place and is secured by a tab on each side of the bagger cover.

- Swing the upper grass catcher cover down to close the attachment, pushing in on the rear right-side and rear left-side tabs and lock them into place under the notches on each side. Ensure a secure, snug fit. See Figure 4-16.

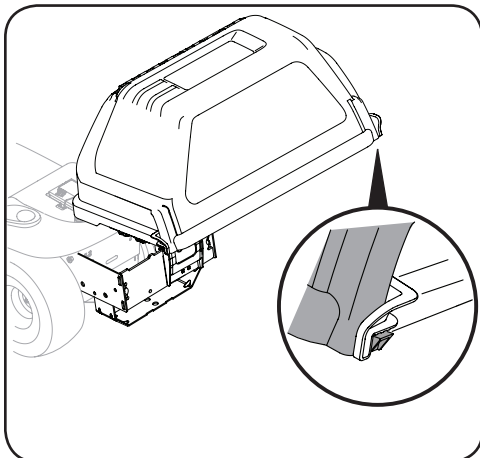


Figure 4-16

- Open the bagger cover by pushing in on the tabs and lifting the upper grass catcher cover. See Figure 4-17.

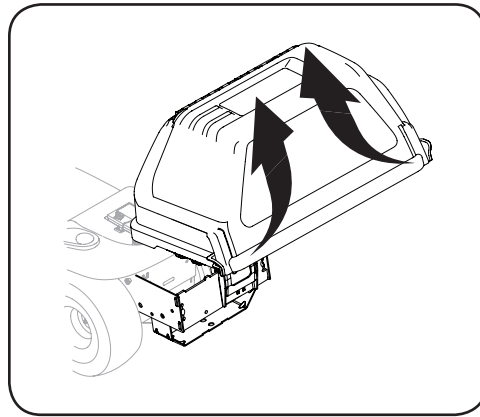


Figure 4-17

- Install both grass bag assemblies, with the tight mesh sides facing forward, onto the bag support brackets by inserting the front edge in first, as shown in Figure 4-18, and setting the back edge down until it fits into the assembly.

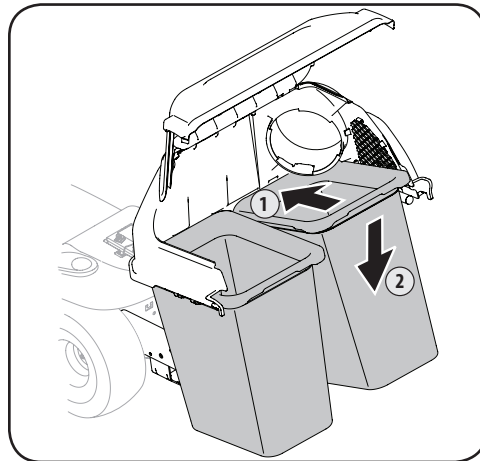


Figure 4-18

Installing the Deck Chute

- Install the boot rod mount (747-06043) to the boot using 2 shoulder screws (738-1225) and 2 flangelock nuts (712-04064) from hardware pack 689-00636. Ensure that the shoulder screws (738-1225) are installed on the interior of the boot. See Figure 4-19.

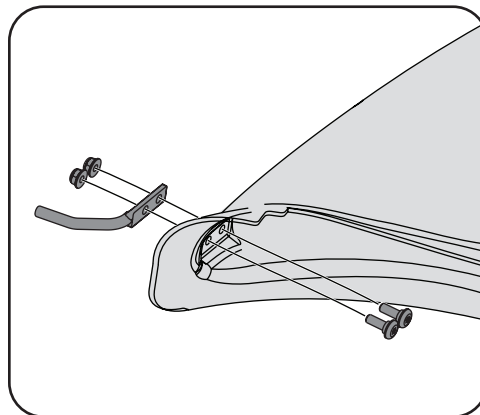


Figure 4-19

- With the tractor's discharge chute raised up and held open (1), install the chute elbow by placing the chute elbow mounting rod into the hole provided in either your deck wheel bracket or chute mounting tab (2), as shown in Figure 4-20.

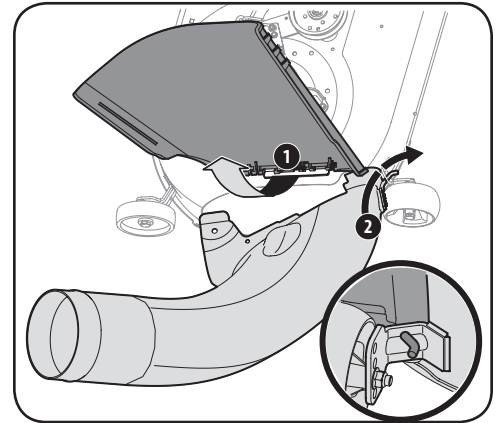


Figure 4-20

- Secure the chute elbow to the deck using a wing knob (720-04122) from hardware pack 689-00312. See Figure 4-21.

NOTE: If present, remove the protective cap off of the mounting stud on the mowing deck as shown in the upper inset of Figure 4-21.

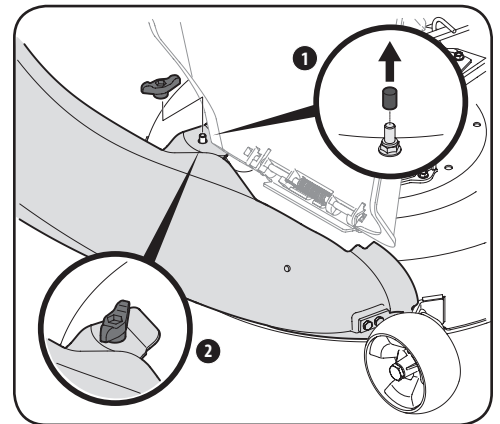


Figure 4-21

IMPORTANT! Be certain that the bottom of the discharge chute is located inside of the lip of the deck opening, as shown in Figure 4-22.

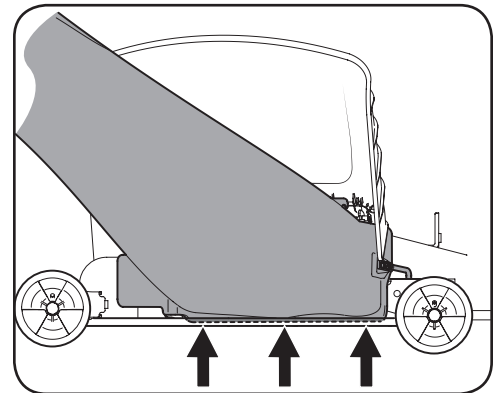


Figure 4-22

Installing the Upper Chute Tube

1. Thread the upper end of the chute tube securely into the upper chute support. There are two tabs on the lower inside part of the upper chute support to allow for secure threading. See Figure 4-23.

NOTE: The chute tube and upper chute support are left-hand threaded. Thread counterclockwise until secure.

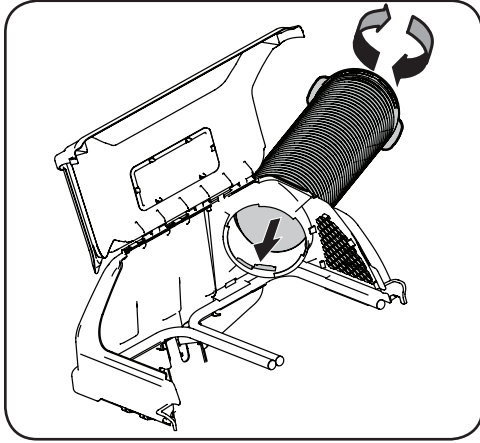


Figure 4-23

2. Lift by the handles at the bottom of the chute tube. Slide the chute tube over the chute elbow mounted on the cutting deck, as shown in Figure 4-24.

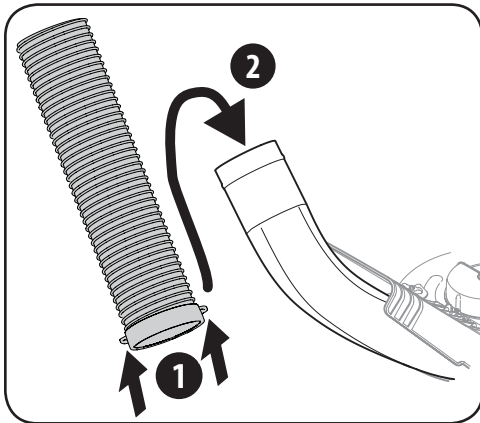


Figure 4-24

3. Make sure the connection is secure and there are no gaps between the chute tube and the chute elbow.
4. If open, close the grass catcher cover prior to mowing.

Bagger Usage

1. While mowing, periodically stop and check the viewing window on top of the grass catcher cover. See Figure 5-1.

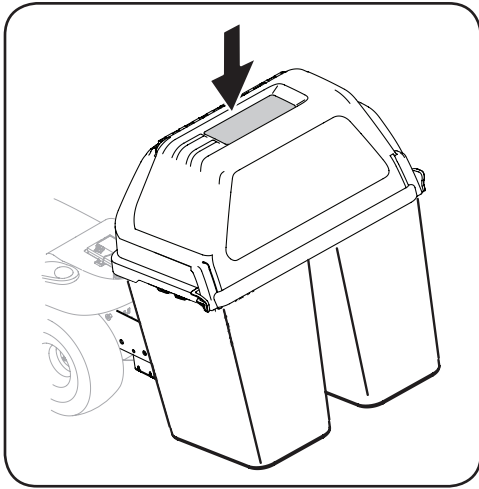


Figure 5-1

NOTE: To ensure longevity and reliable performance do not allow grass bags to fill over the edge of the rim before emptying.

2. When both grass bags are full, place the tractor on a firm, level surface, disengage the PTO, turn the tractor engine off and set the parking brake.
3. Open the grass catcher cover by pushing in on the rear, right-side tab and rear left-side tab, as seen in 1 of Figure 5-2, and lifting the cover from the rear of the bagger cover, 2. Do not remove the chute tube assembly from the tractor.

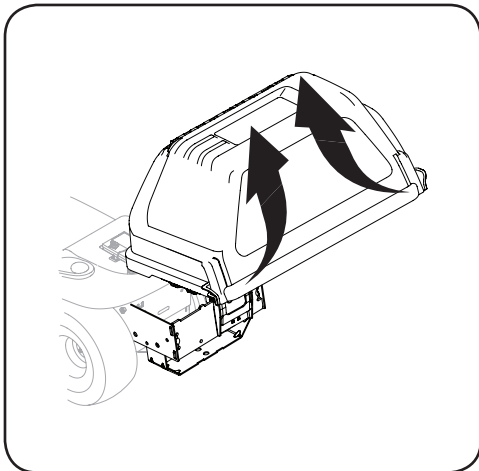


Figure 5-2

4. Remove the grass bags by lifting these up (1 in Figure 5-3) and moving the bags away from the bag support assembly (2).

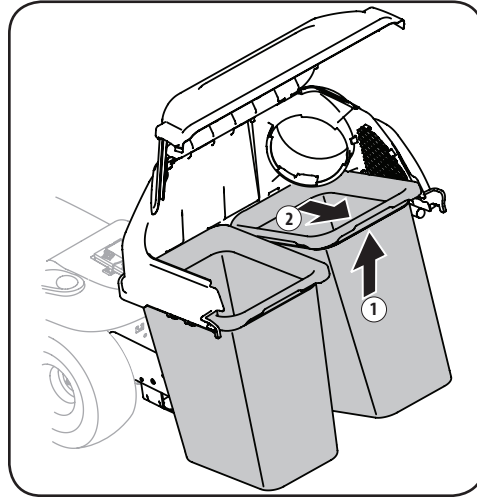


Figure 5-3

5. Empty the grass clippings at a proper disposal site, use the handle at the bottom of each grass bag. Holding the bag firmly, empty the contents.
6. Open the grass catcher as described in step 3, and secure the grass bags back into place in the same orientation in which they were removed. Close the lid and restart your tractor. Resume cutting as needed.
7. Retighten all wing knobs periodically throughout the season.

MANUAL DEL OPERADOR

Índice

<i>Identificación del modelo de tractor.....</i>	<i>2</i>	<i>Funcionamiento.....</i>	<i>10</i>
<i>Medidas de Seguridad.....</i>	<i>3</i>	<i>Français.....</i>	<i>.....</i>
<i>Contenido de la caja y paquetes de herrajes.....</i>	<i>5</i>	<i>Garantía.....</i>	<i>Consulte el suplemento que se adjunta por separado</i>
<i>Armado e Instalación.....</i>	<i>6</i>		

Embolsadora trasera doble — Modelos 19A30003OEM y 19A30031100

ADVERTENCIA

LEA Y CUMPLA TODAS LAS NORMAS E INSTRUCCIONES DE SEGURIDAD DE ESTE MANUAL ANTES DE INTENTAR HACER FUNCIONAR ESTA MÁQUINA.

SI NO RESPETA ESTAS INSTRUCCIONES PUEDE PROVOCAR LESIONES PERSONALES.

NOTA: Este manual de instalación cubre varios modelos. Las características técnicas pueden variar según el modelo. No todas las características que se incluyen en este manual se aplican a todos los modelos y el modelo ilustrado puede ser diferente al suyo.

Muchas gracias

Gracias por comprar este producto. Ha sido cuidadosamente diseñado para brindar excelente rendimiento si se lo hace funcionar y se lo mantiene correctamente.

Por favor lea todo este manual antes de hacer funcionar el equipo. El manual le indica cómo configurar, operar y mantener este equipo de manera fácil y segura. Por favor asegúrese de que usted, y cualquier otra persona que utilice la máquina, siga atentamente y en todo momento las medidas de seguridad recomendadas. De lo contrario, podría ocasionar lesiones personales o daños materiales.

Toda la información contenida en este manual hace referencia a la más reciente información de producto disponible en el momento de la impresión. Revise el manual frecuentemente para familiarizarse con el accesorio, sus características y funcionamiento. Por favor tenga en cuenta que este Manual del Operador puede abarcar diferentes especificaciones de producto para diversos modelos.

Es posible que las características y funciones incluidas y/o ilustradas en este manual no se apliquen a todos los modelos. Nos reservamos el derecho de modificar las especificaciones de los productos, los diseños y los equipos sin previo aviso y sin generar responsabilidad por obligaciones de ningún tipo.

Si tiene algún problema o duda respecto a este accesorio, llame a su distribuidor de servicio local autorizado o póngase en contacto directamente con nosotros. Los números de teléfono, dirección del sitio web y dirección postal de Asistencia al Cliente se encuentran en la hoja complementaria por separada. Queremos garantizar su entera satisfacción en todo momento.

En este manual, todas las referencias al lado *derecho* e *izquierdo* de la máquina se hacen observándola desde la posición de operación a menos que se indique lo contrario.

Registro de información de producto

Antes de instalar y hacer funcionar su equipo nuevo, por favor localice la placa de modelo en el equipo y registre la información en el espacio de la derecha. Desde la posición del operador, ubique la placa de modelo en el frente, en la parte delantera, lado izquierdo, de la cubierta plástica de la tolva para recorte de césped. Necesitará esta información para solicitar soporte técnico a través de nuestro sitio web, el Departamento de Atención al Cliente, o de un distribuidor local de servicio autorizado.

NÚMERO DE MODELO

--	--	--	--	--	--	--	--	--	--	--	--

NÚMERO DE SERIE

--	--	--	--	--	--	--	--	--	--	--	--

Identificación del modelo de tractor

Este manual está destinado a la instalación de la nueva unidad embolsadora en varios modelos distintos de tractor. Es importante que usted determine el modelo de tractor que tiene. Una vez identificado, siga el conjunto de instrucciones pertinentes en las páginas siguientes.

NOTA: Lea y observe todas las ADVERTENCIAS, NOTAS y declaraciones IMPORTANTES. Se las ha incluido para proporcionar protección al instalador y al usuario del equipo, y para asegurar una prolongada vida útil para el equipo.

NOTA: Las referencias relativas a los lados IZQUIERDO y DERECHO indican los lados izquierdo y derecho del tractor mirando hacia adelante desde la posición del operador. La referencia al FRENTE indica el extremo de la parrilla; la referencia a la parte POSTERIOR indica el extremo trasero del tractor.

Para determinar cuál es el modelo de su tractor, será necesario que ubique la placa de modelo que se encuentra debajo del asiento. Simplemente levante el asiento y ubique la placa de modelo, la cual comprende un número de modelo de 11 dígitos/letras y un número de serie. Consulte la Figura 1-1. Para facilitar la instalación y para uso futuro, copie el número de modelo y el número de serie del tractor cortacésped a continuación ahora:

Tractor cortacésped modelo N°:

--	--	--

Tractor cortacésped serie N°: _____

Los números de modelo ubicados en 5º, 6º y 7º lugar a partir de la izquierda, determinan la serie del modelo del tractor cortacésped. Consulte la Figura 1-2.

Cuando complete el número de modelo en el espacio anterior, el número de serie correspondiente se encontrará en el área sombreada en gris.

Ahora que ha determinado cuál es el modelo de tractor cortacésped al cual usted va a adosar este sistema de recolección de césped, observe las instrucciones de las páginas siguientes correspondientes a su modelo de tractor cortacésped.

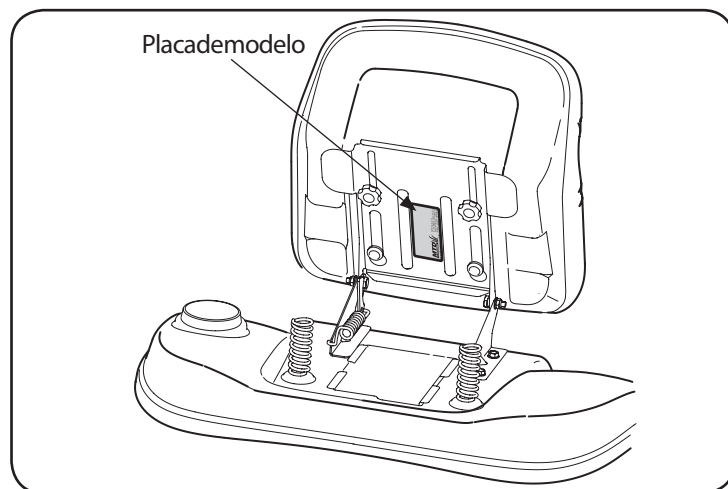


Figura 1-1

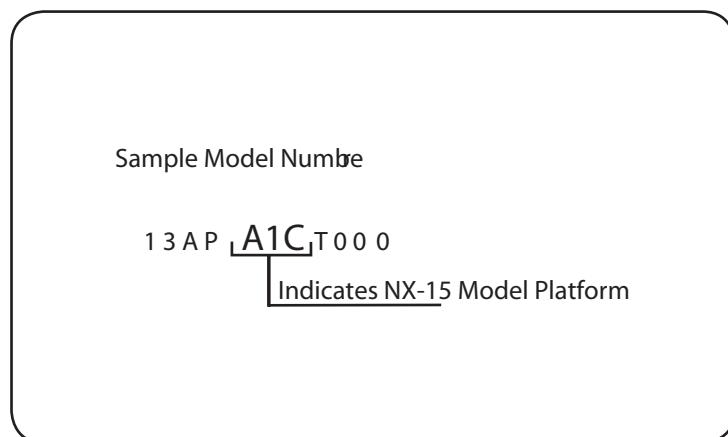


Figura 1-2

Medidas importantes de seguridad



¡ADVERTENCIA! La presencia de este símbolo indica que se trata de instrucciones importantes de seguridad que se deben respetar para evitar poner en peligro su seguridad personal y/o material y la de otras personas. Lea y cumpla todas las instrucciones de este manual antes de intentar operar esta máquina. Si no respeta estas instrucciones puede causar lesiones personales. Cuando vea este símbolo. **¡TENGA EN CUENTA LAS ADVERTENCIAS!**



¡PELIGRO! Este accesorio está diseñado para ser usado respetando las normas de seguridad contenidas en este manual. Un descuido o error por parte del operador puede ocasionar lesiones graves. Una cortadora es capaz de amputar manos y pies y de arrojar objetos con gran fuerza. Si no se observan las siguientes instrucciones de seguridad junto con las instrucciones suministradas con la cortadora, se puede ocasionar lesiones graves e incluso la muerte.

Funcionamiento general

1. Lea, comprenda y respete todas las instrucciones que figuran en el equipo y en los manuales antes de intentar armarlo y hacerlo funcionar. Guarde este manual en un lugar seguro para consultas futuras y periódicas, así como para solicitar repuestos.
2. Para ayudar a evitar una lesión por contacto con las cuchillas o con un objeto que sea arrojado, mantenga a las personas que observan, a los ayudantes, niños y mascotas alejados a no menos de 25 metros de la máquina mientras está funcionando. Detenga la máquina si alguien entra en la zona.
3. Revise minuciosamente el área donde se va a usar el equipo. Retire todas las piedras, palos, cables, huesos, juguetes y otros objetos extraños que podrían ser recogidos y arrojados por la acción de las cuchillas. Los objetos arrojados por la máquina pueden causar lesiones graves.
4. Para protegerse los ojos, utilice siempre gafas o lentes de seguridad mientras opera la máquina o mientras la ajusta o repara. Los objetos arrojados que rebotan pueden causar lesiones oculares graves.
5. Nunca opere la cortadora de césped sin tener bien colocada la cubierta de descarga o el colector de césped. Si falta o está dañada la cubierta de descarga o un componente del accesorio embolsador puede resultar en lesiones por contacto con la cuchilla o con objetos arrojados.
6. No ponga las manos ni los pies cerca de las piezas rotatorias ni debajo de la plataforma de corte. El contacto con las cuchillas puede resultar en la amputación de una mano o pie.
7. Apague el motor de la cortadora de césped y espere que las cuchillas se detengan totalmente antes de desbloquear la abertura de descarga de la cortadora o las piezas de la embolsadora.
8. Reduzca la velocidad antes de girar. Opere la máquina de forma pareja. Evite el funcionamiento errático y la velocidad excesiva. Tenga en cuenta que el accesorio colector de césped puede afectar las características de manejo de su cortadora.
9. Desenganche las cuchillas, coloque el freno de mano, detenga el motor y espere hasta que las cuchillas se detengan totalmente antes de abrir la cubierta superior del accesorio embolsador, sacar el colector de césped, vaciar los recortes, desbloquear el canal, retirar cualquier residuo o desecho, o realizar cualquier ajuste.

10. Nunca deje la máquina en funcionamiento sin vigilancia. Apague siempre las cuchillas, coloque la transmisión en neutral, coloque el freno de mano, detenga el motor y retire la llave antes de bajarse del vehículo.
11. Su máquina fue diseñada para cortar césped residencial normal, con una altura no mayor a 10". No intente cortar pasto demasiado crecido y seco (por ej., pastura) ni pilas de hojas secas. El pasto y las hojas secas pueden entrar en contacto con el escape del motor y/o acumularse en la plataforma de la cortadora de césped, convirtiéndose en un peligro de incendio.
12. Si se presentan situaciones que no están previstas en este manual, sea cuidadoso y use el sentido común. Póngase en contacto con su representante de atención al cliente para solicitar asistencia.

Funcionamiento en pendientes

Las pendientes son un factor importante en los accidentes ocasionados por pérdida de control y vuelcos que pueden causar lesiones graves e incluso la muerte. Los accesorios también pueden afectar la estabilidad de la máquina. La operación en pendiente requiere mayor precaución.

Para seguridad, use el medidor de pendientes que se incluye como parte de este manual para estimar el ángulo de la pendiente antes de hacer funcionar la máquina en una zona inclinada. Si la pendiente es mayor a 10 grados en el medidor, no opere la cortadora con el accesorio embolsador en ese sector, pues podría causar lesiones graves.

Haga lo siguiente:

13. Corte hacia arriba y abajo de las pendientes, no en forma transversal. Tenga sumo cuidado al cambiar de dirección en una pendiente.
14. Esté atento a los hoyos, surcos, baches, rocas, u otros objetos ocultos. El terreno desnivelado puede voltear la máquina. El pasto alto puede ocultar obstáculos.
15. Conduzca a baja velocidad. Elija una velocidad lo suficientemente baja como para no tener que detenerse o cambiar de marcha mientras está en la pendiente. Los neumáticos pueden perder tracción en las pendientes aún cuando los frenos funcionen correctamente. Mantenga la máquina siempre en velocidad cuando desciende una pendiente, para poder frenar con el motor.
16. Siga las recomendaciones del fabricante sobre pesos y contrapesos de las ruedas, para mejorar la estabilidad.
17. Haga que todos los movimientos en las pendientes sean lentos y graduales. No cambie repentinamente la velocidad ni la dirección. Un frenado o cambio de velocidad repentinos pueden causar que el frente de la máquina se levante y dé una voltereta hacia atrás, lo que podría causar lesiones graves.

18. Evite arrancar o detenerse en una pendiente. Si los neumáticos pierden tracción, desenganche las cuchillas y descienda lentamente la pendiente.

No haga lo siguiente:

19. No gire en una pendiente a menos que sea imprescindible. De ser posible, gire lenta y gradualmente cuesta abajo.
20. No corte el césped cerca de barrancos, zanjas o terraplenes. La cortadora de césped podría volcarse repentinamente si una de las ruedas estuviera sobre el borde de un acantilado o zanja, o si un borde se desmoronara.
21. No intente estabilizar la máquina poniendo el pie en el suelo.
22. No utilice un colector de césped en pendientes empinadas.
23. No corte el césped húmedo. Una reducción en tracción puede causar derrapes.

Servicio general

24. Antes de limpiar, reparar o inspeccionar la máquina, compruebe que las cuchillas y todas las piezas móviles se hayan detenido. Desconecte el cable de la bujía y póngalo haciendo masa contra el motor para evitar que arranque accidentalmente.
25. Mantenga todas las tuercas, pernos y tornillos bien ajustados para asegurarse de que el equipo está en condiciones seguras de operación.
26. Nunca intente violar el sistema de bloqueo de seguridad u otros mecanismos de seguridad de la cortadora. Controle periódicamente que funcionen correctamente.
27. No intente nunca hacer ajustes o reparaciones a la cortadora mientras el motor está en marcha.
28. Los componentes del colector de césped y la cubierta de descarga están sujetos a desgaste y daños que podrían dejar expuestas piezas que se mueven o permitir que se arrojen objetos. Para proteger su seguridad, verifique frecuentemente todos los componentes y reemplácelos inmediatamente únicamente con piezas de los fabricantes del equipo original (O.E.M.) indicados en este manual. El uso de piezas que no cumplen con las especificaciones del equipo original puede resultar en rendimiento inadecuado y puede poner en peligro la seguridad.
29. Mantenga o reemplace las etiquetas de seguridad y de instrucciones según sea necesario.

Símbolos de seguridad

En esta página se presentan y describen los símbolos de seguridad que pueden aparecer en este producto. Lea, entienda y cumpla todas las instrucciones incluidas en la máquina antes de intentar armarla y utilizarla.

Símbolo	Descripción
	LEA LOS MANUALES DEL OPERADOR Lea, entienda y cumpla todas las instrucciones incluidas en los manuales antes de intentar armar la unidad y utilizarla.
	DETENCIÓN Apague el motor antes de abrir la cubierta de la embolsadora.



¡ADVERTENCIA! Su responsabilidad—Limite el uso de esta máquina motorizada a las personas que lean, comprendan y cumplan las advertencias e instrucciones que aparecen en este manual y en la máquina.

¡GUARDE ESTAS INSTRUCCIONES!

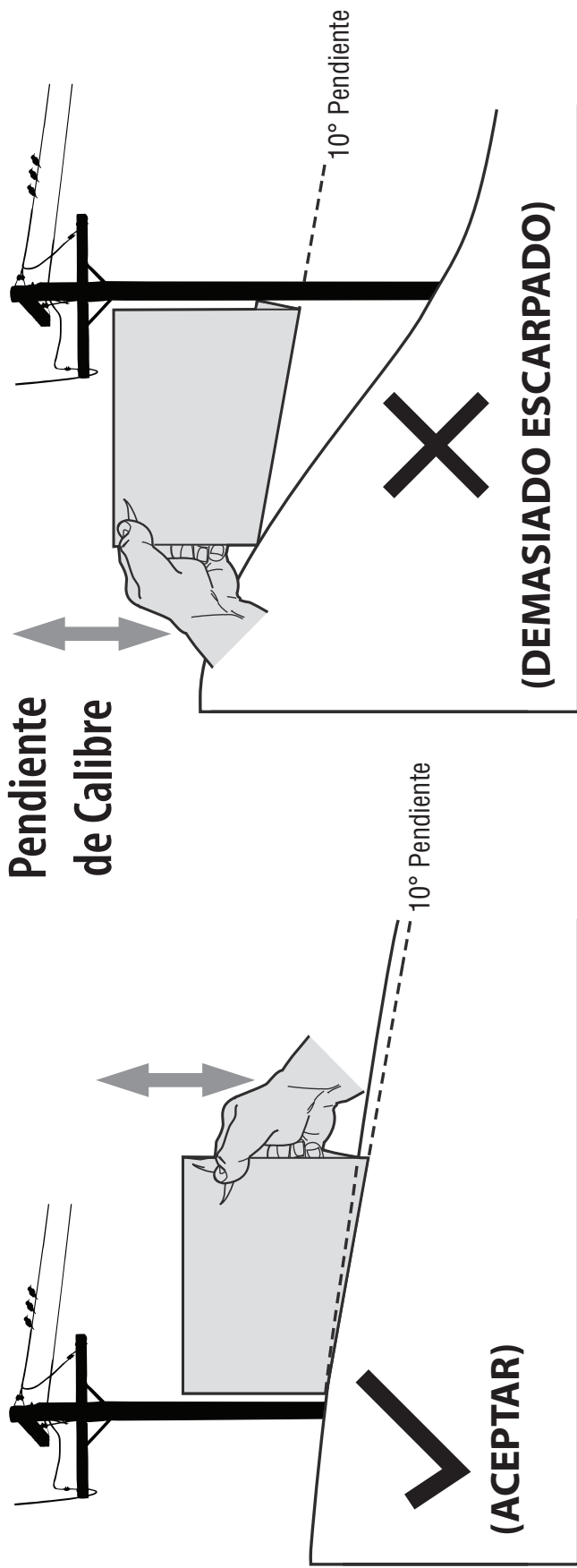
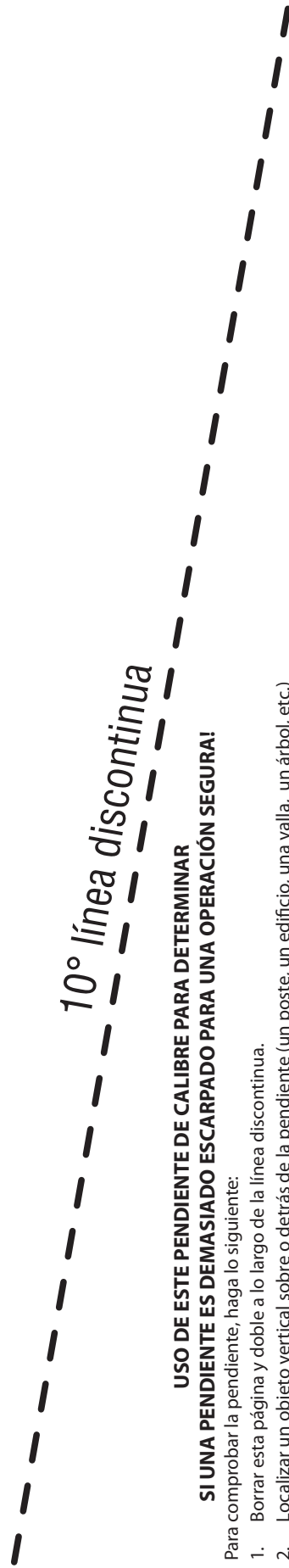


Figura 1

Figura 2



USO DE ESTE PENDIENTE DE CALIBRE PARA DETERMINAR SI UNA PENDIENTE ES DEMASIADO ESCARPADO PARA UNA OPERACIÓN SEGURA!

Para comprobar la pendiente, haga lo siguiente:

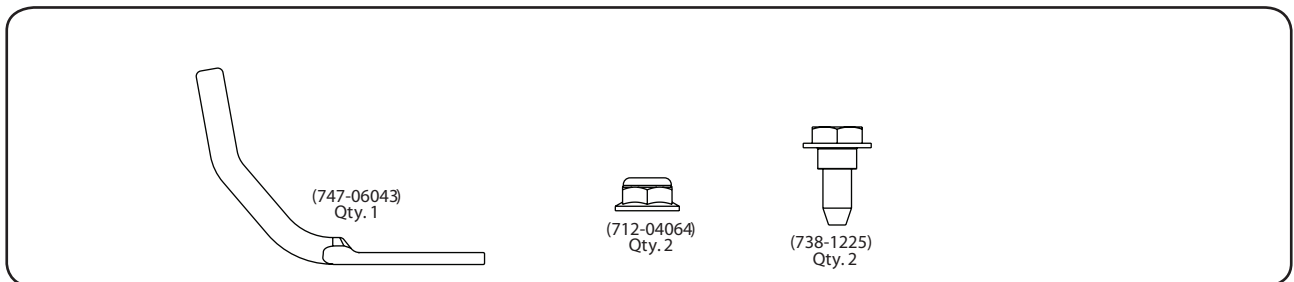
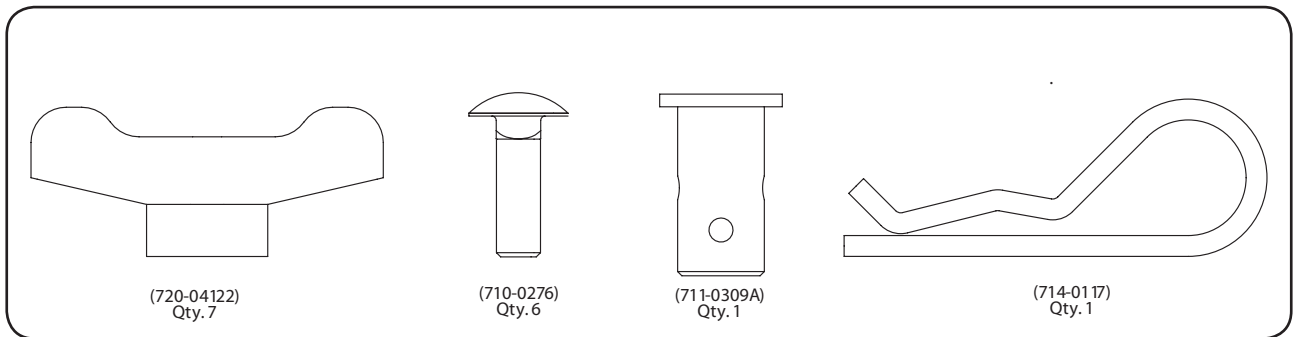
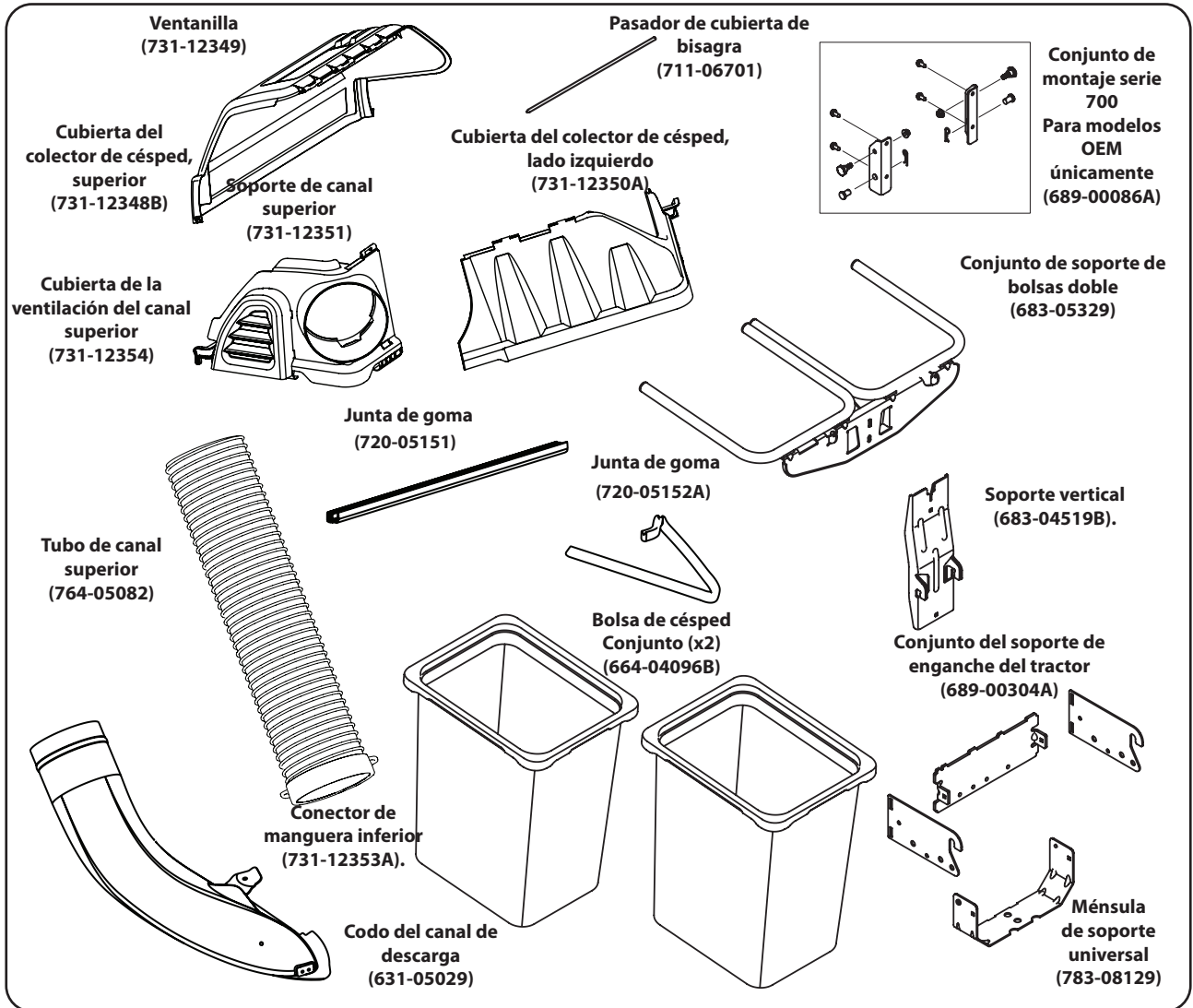
1. Borrar esta página y doble a lo largo de la línea discontinua.
2. Localizar un objeto vertical sobre o detrás de la pendiente (un poste, un edificio, una valla, un árbol, etc.)
3. Alinee cada lado de pendiente de calibre con el objeto vertical (consultar Figura 1 and Figura 2).
4. Ajuste el pendiente de calibre arriba o hacia abajo hasta los toques esquina izquierda el pendiente (consultar Figura 1 and Figura 2).
5. Si hay un espacio por debajo de la pendiente de calibre, el pendiente es demasiado escarpa por operación segura (consultar Figura 2 above).



ADVERTENCIA! Las pendientes son un factor importante relacionado con un vuelco y renovación de los accidentes que pueden provocar lesiones graves o la muerte. No utilice la máquina en pendientes de más de 10 grados. Todos pendientes requiere mayor precaución. Si no puede retroceder en la pendiente o si se siente inseguro en ella, no la recorte. Siempre corte el césped arriba y abajo las pendientes, nunca en toda la superficie de la cuesta.

Contenido de la caja

Antes de comenzar la instalación, retire todas las piezas de la caja para asegurarse de que no falta nada. El contenido de la caja se muestra a continuación. Los números de pieza para estos herrajes se pueden encontrar en la sección Lista de piezas de este manual. Este juego colector de césped se envía con un paquete de herrajes 689-00312 incluido y un paquete de elementos de ferretería como parte del conjunto de la ménsula de montaje.



Solo tractores de la serie 700

Si está armando esta unidad embolsadora para usarla con un tractor de cualquier modelo de la serie 700 deberá instalar las ménsulas de soporte embaladas con el kit de su embolsadora. Si está instalando la embolsadora para usar en cualquier otro tractor, omita estos pasos y continúe con el Armado de las ménsulas de montaje. A fin de determinar en qué modelo de tractor se instala la embolsadora, consulte la página 3 del presente manual.

Para instalar estas ménsulas en un tractor de un modelo de la serie 700, siga estos pasos:

1. Si no viene instalado de fábrica, instale un perno con reborde del paquete de elementos de ferretería en cada ménsula, asegurándolas con tuercas de seguridad con brida también incluidas en el paquete de elementos de ferretería. Consulte la Figura 4-1.
2. Si ya está instalado en las ménsulas, retire los sujetadores y pasadores de horquilla y reténgalos para las instrucciones más adelante. Consulte la Figura 4-1.

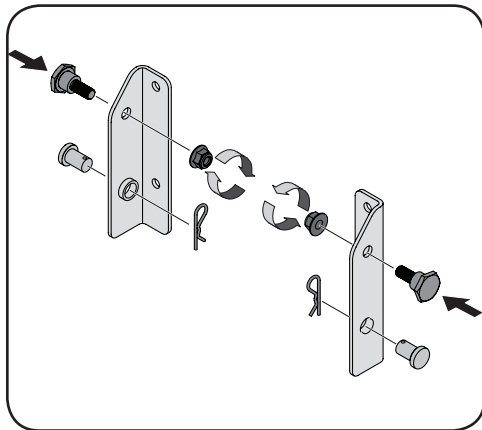


Figura 4-1

3. Monte las ménsulas de soporte del tractor de la serie 700 a su tractor con cuatro tornillos hexagonales autorroscantes incluidos en el kit. Consulte la Figura 4-2.

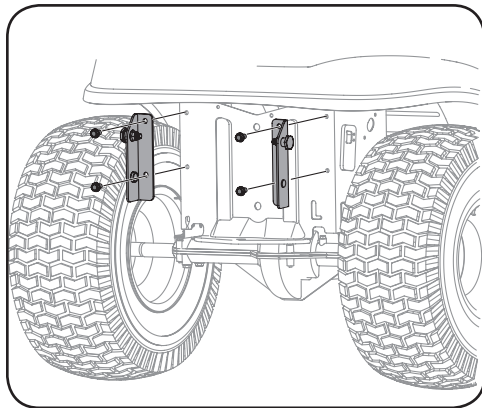


Figura 4-2

Arme las ménsulas de soporte

Para armar el conjunto de montaje de la embolsadora, localice el paquete del conjunto de montaje y siga estos pasos:

1. Sujete las dos ménsulas laterales de enganche a la ménsula de unión trasera universal utilizando los dos pernos de carro (710-0276) y las perillas de aleta (720-04122) del paquete de elementos de ferretería 689-00312.

NOTA: Los ganchos sobre las ménsulas laterales deben apuntar hacia abajo y las lengüetas sobre la placa trasera hacia arriba como se muestra en la Figura 4-3.

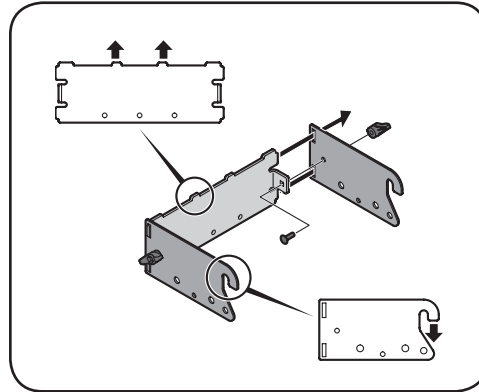


Figura 4-3

2. Dé vuelta el conjunto y monte la ménsula de soporte de enganche a la unidad de montaje como se muestra en la Figura 4-4.

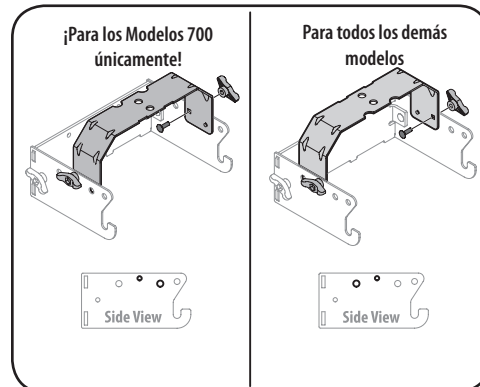


Figura 4-4

NOTA: Durante la etapa de montaje podría resultar más fácil dejar ajustado este único elemento de ferretería para facilitar el alineamiento con el orificio de enganche para el pasador de horquilla. Más adelante en el manual se le indicará que ajuste este elemento de ferretería.

NOTA: Los orificios más próximos a los ganchos de montaje se utilizarán para todas las máquinas del modelo de la serie 700, en tanto que los dos orificios más cercanos al montaje cruzado son para todos los demás modelos. La ménsula de soporte de enganche tendrá que estar dada vuelta para permitir el alineamiento adecuado de los orificios según el modelo de máquina en la que se instale esta embolsadora. Consulte la Figura 4-4.

Monte el conjunto en el tractor (todos los demás tractores)

Instale la unidad de montaje en los tractores de la serie 900 de la siguiente manera:

1. Coloque los extremos con gancho del conjunto de montaje sobre los pernos con reborde en la parte posterior del bastidor del tractor, como en la Figura 4-5, y alinee el orificio central de la ménsula de soporte del enganche con el orificio del enganche del tractor.

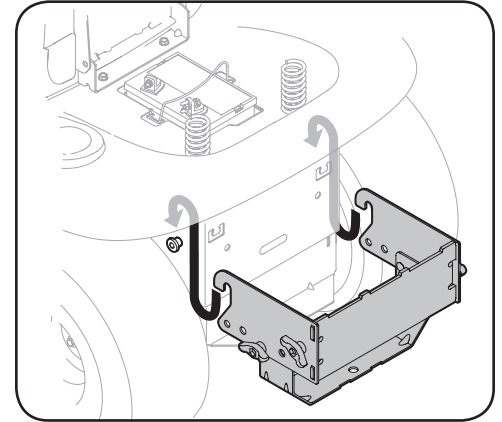


Figura 4-5

2. Instale el pasador de horquilla (711-0309A) del paquete de herrajes 689-00312 en el enganche del tractor y fije con un sujetador de horquilla (714-0117). Consulte la Figura 4-6.

NOTA: El pasador de horquilla se puede pasar hacia abajo por la placa de enganche y asegurarlo por abajo con el sujetador de horquilla; o puede resultar más fácil pasarlo hacia arriba por el orificio de la placa de enganche y asegurarlo con el sujetador en la parte superior. Inserte el pasador de horquilla dentro del agujero superior, que está más cerca de la cabeza del pasador. Puede necesitar empujar el pasador para hacer que se pueda acceder al orificio.

¡IMPORTANTE! Si decidió dejar el soporte del enganche ajustado solo manualmente durante el proceso de montaje, ajuste firmemente todos los demás herrajes en este momento.

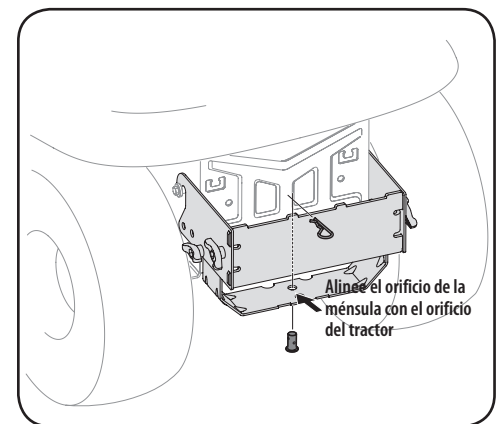


Figura 4-6

Monte el conjunto en el tractor (Tractores de la serie 700)

1. Coloque los extremos con gancho del conjunto de montaje sobre los pernos con reborde, como en la Figura 4-7, sobre los soportes de montaje instalados previamente en el tractor y alinee el orificio central de la ménsula de soporte del enganche con el orificio del enganche del tractor.

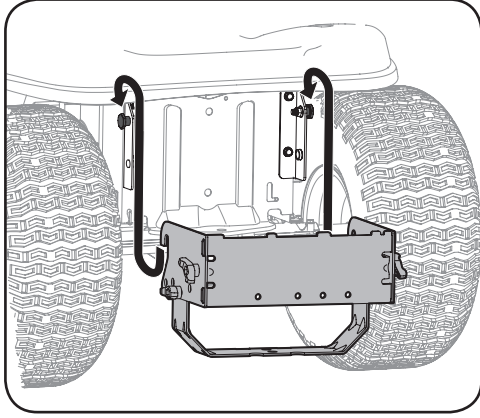


Figura 4-7

2. Instale el pasador de horquilla (711-0309A) del paquete de herrajes 689-00312 en el enganche del tractor y fije con un sujetador de horquilla (714-0117). Consulte la Figura 4-8.

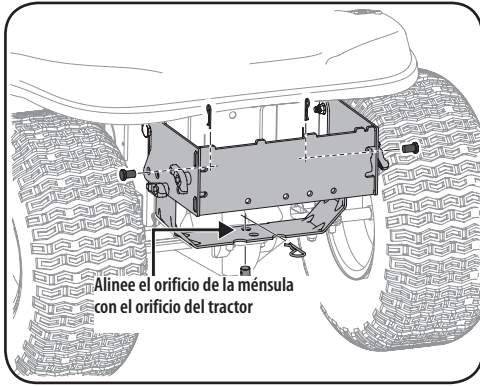


Figura 4-8

NOTA: El pasador de horquilla se puede pasar hacia abajo por la placa de enganche y asegurarlo por abajo con el sujetador de horquilla; o puede resultar más fácil pasarlo hacia arriba por el orificio de la placa de enganche y asegurarlo con el sujetador en la parte superior. Inserte el pasador de horquilla dentro del agujero superior, que está más cerca de la cabeza del pasador. Puede necesitar empujar el pasador para hacer que se pueda acceder al orificio.

3. Instale dos pasadores de horquilla por la unidad de montaje y asegure a las ménsulas de montaje de la serie 700 instalados anteriormente con los pasadores de trinquete proporcionados en el paquete de elementos de ferretería. Consulte la Figura 4-8.

¡¡IMPORTANTE! Si decidió dejar el soporte de enganche ajustado sólo manualmente durante el proceso de montaje, ajuste firmemente todos los demás elementos de ferretería en este momento.

Instale la unidad de suspensión de la embolsadora

1. Instale la ménsula de soporte vertical en el conjunto de montaje sobre el tractor enganchándola encima del soporte de montaje cruzado. Consulte la Figura 4-9.
2. Alinee la ménsula de soporte vertical con el orificio etiquetado "B". Vea el recuadro de la Figura 4-9.

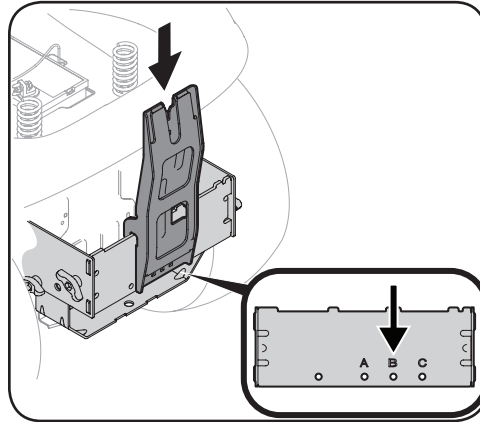


Figura 4-9

3. Fije la unidad de soporte de bolsas a la unidad de montaje con un perno de carro (710-0276) y perilla de aleta (720-04122) del paquete de elementos de ferretería 689-00312. Consulte la Figura 4-10.

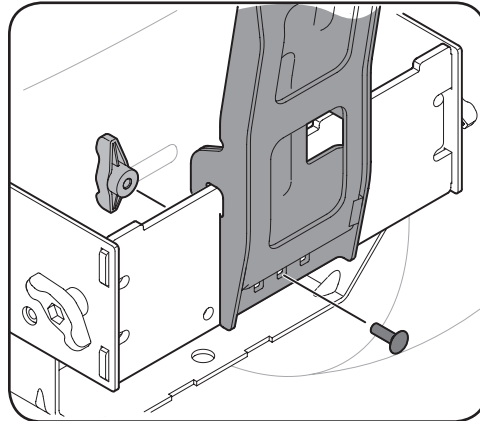


Figura 4-10

4. Fije la unidad de suspensión a la ménsula de soporte vertical con un perno de carro (710-0276) y perilla de aleta (720-04122) del paquete de herrajes 689-00312. Consulte la Figura 4-11.

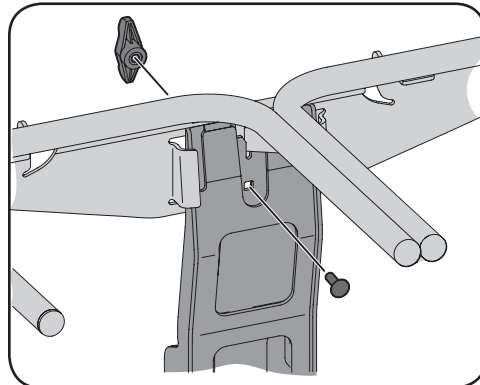


Figura 4-11

Armado del resto de los componentes de la embolsadora

Con las ménsulas de montaje armadas y colocadas en el tractor, siga estos pasos para armar el resto de los componentes de la embolsadora.

1. Inclíne el frente del soporte del canal superior ligeramente hacia adelante y ajuste a presión el pestillo del lado frontal al riel, como se indica en (1) de la Figura 4-12. Deslice el broche detrás de la lengüeta.
2. Calce a presión el soporte del canal superior colocando primero la porción lateral sobre el riel de soporte de la embolsadora. Consulte (2) en la Figura 4-12.

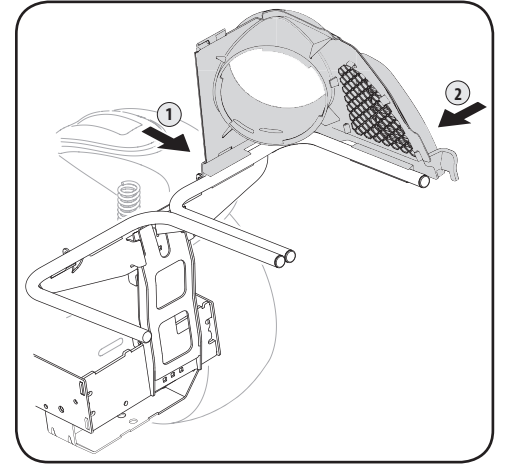


Figura 4-12

3. Deslice la cubierta de la embolsadora del lado izquierdo sobre el soporte del canal superior y el conjunto del soporte de la bolsa. Trabe con precaución las dos lengüetas en su lugar en el frente del soporte del canal superior, consulte 1 en la Figura 4-13. Coloque los cierres a presión sobre el soporte de riel de la embolsadora del lado izquierdo. Vea 2 en la Figura 4-13.

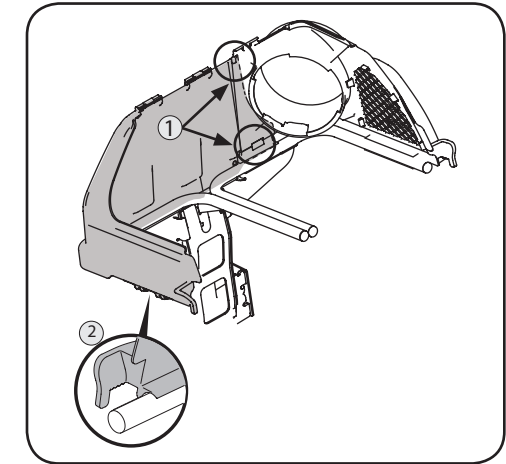


Figura 4-13

4. Si no está ya instalado, aplique sellos (720-05151) y (720-05152A) en la parte inferior de la cubierta superior del recogedor de césped (731-12348A) como se muestra a continuación. Vea la Figura 4-14.

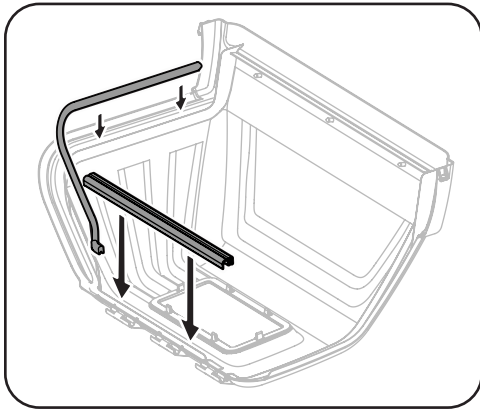


Figura 4-14

5. Desde el frente del conjunto, se deben alinear las lengüetas de la cubierta de la embolsadora superior con las lengüetas en el frente del soporte del canal superior. Deslice el pasador de horquilla a través de las ranuras comenzando en el soporte del canal superior del lado derecho de las lengüetas de montaje, como en la Figura 4-15. Oprima el pasador completamente hasta que llegue al tope de extremo.

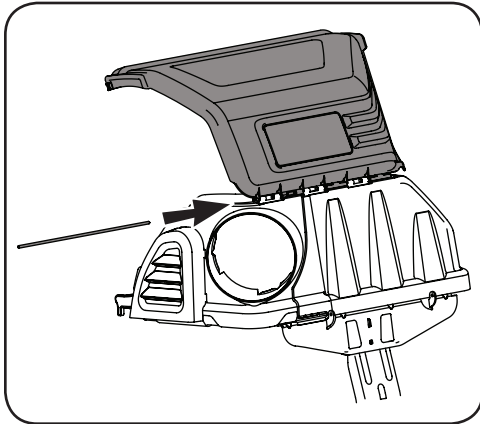


Figura 4-15

NOTA: El pasador calza en su posición y queda asegurado por una lengüeta, una a cada lado de la cubierta de la embolsadora.

6. Gire la cubierta de la embolsadora superior hacia abajo para cerrar el accesorio, oprimiendo las lengüetas posteriores del lado derecho y del lado izquierdo y trábelas en su lugar debajo de las muescas de cada lado. Compruebe que encajen perfectamente. Consulte la Figura 4-16.

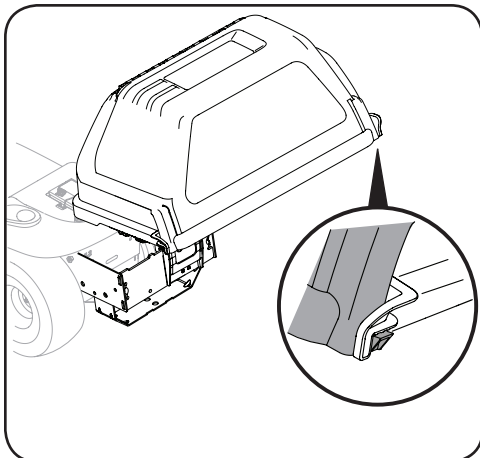


Figura 4-16

7. Abra la cubierta de la embolsadora oprimiendo las lengüetas y levantando la cubierta de la embolsadora superior. Consulte la Figura 4-17.

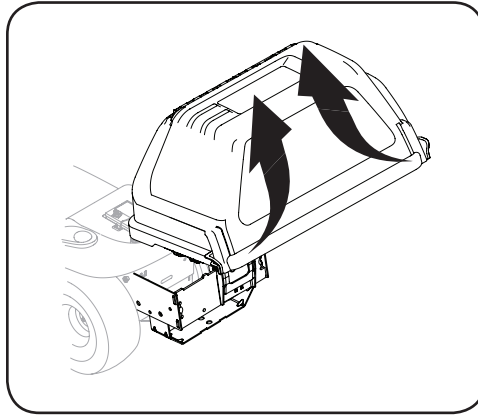


Figura 4-17

8. Instale ambos conjuntos de bolsas recolectoras de césped con los lados de engrane apretados hacia adelante, a las ménsulas de soporte de las bolsas insertando el borde delantero primero, como se muestra en la Figura 4-18, y manteniendo el borde trasero hacia abajo hasta que encaje en la unidad

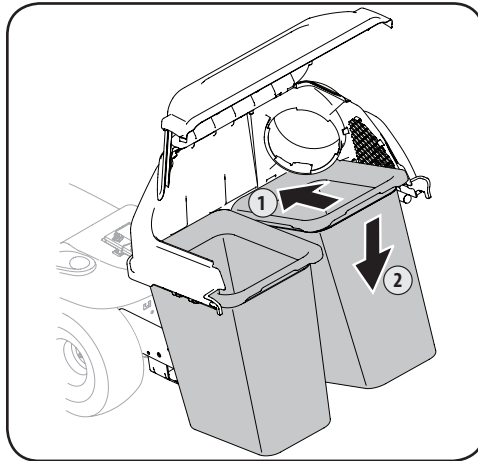


Figura 4-18

Instalación del canal de la plataforma

1. Instale el soporte de la barra de arranque (747-06043) en la bota usando 2 tornillos de hombro (738-1225) y 2 tuercas de llave (712-04064) del paquete de herrajes 689-00636. Asegúrese de que los tornillos de hombro (738-1225) estén instalados en el interior de la bota. Vea la Figura 4-19.

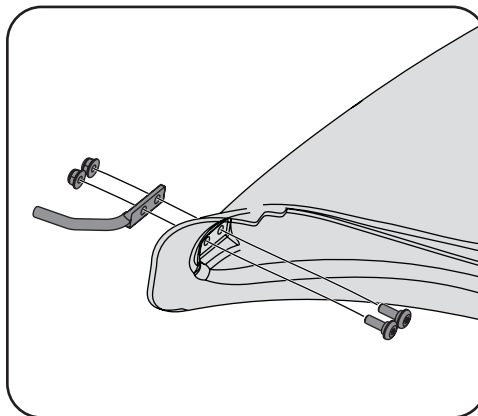


Figura 4-19

2. Con el canal de descarga del tractor elevado y abierto (1), instale el codo del canal colocando la varilla de montaje del codo del canal en el orificio suministrado en la ménsula de las ruedas de la plataforma o la lengüeta de montaje del canal (2), como se ve en la Figura 4-20.

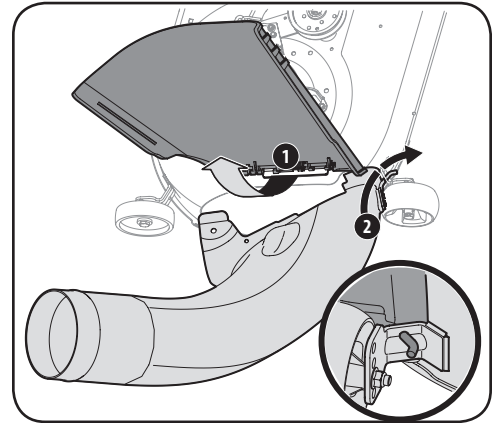
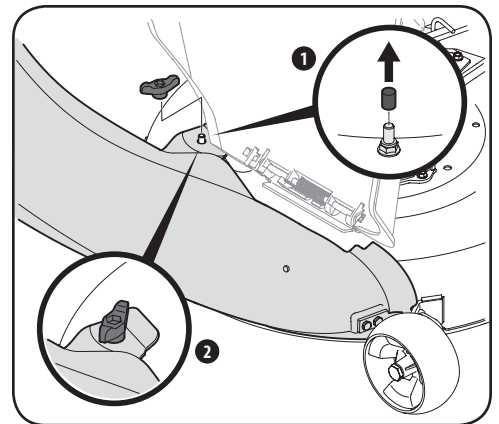


Figura 4-20

3. Fije el codo del canal a la plataforma con la perilla de aletas (720-04122) del paquete de herrajes 689-00312. Consulte la Figura 4-21.

NOTA: Si la hubiera, retire la cubierta protectora del prisionero de montaje en la plataforma de corte como se muestra en el recuadro de la Figura 4-21.



¡IMPORTANTE! Asegúrese de que la parte inferior del canal de descarga está ubicado dentro del borde de la abertura de plataforma, como se muestra en la Figura 4-22.

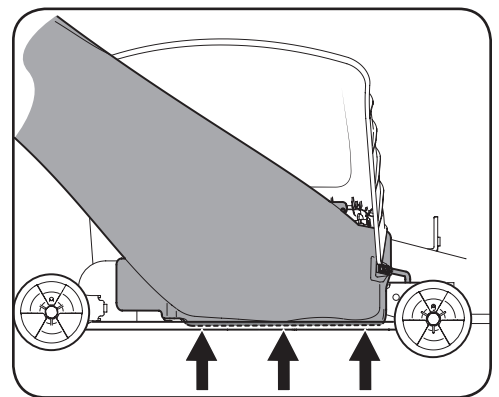


Figura 4-21

Instalación del tubo de canal superior

1. Enrosque el extremo superior del tubo del canal firmemente en el soporte del canal superior. Hay dos lengüetas en la parte interna inferior del soporte del canal superior para permitir que se enrosque firmemente. Consulte la Figura 4-23.

NOTA: El tubo del canal y el soporte del canal superior se enroscan hacia la izquierda. Enrosque en el sentido contrario a las agujas del reloj hasta que quede firme.

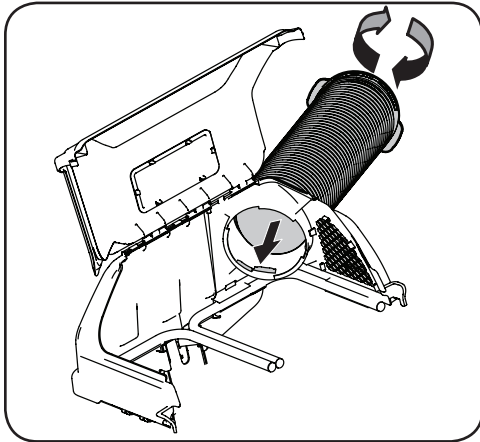


Figura 4-22

2. Levante por las manijas que están en la parte inferior del tubo del canal. Deslice el tubo del canal sobre el codo del canal que está montado en la plataforma de corte, como se indica en la Figura 4-24.

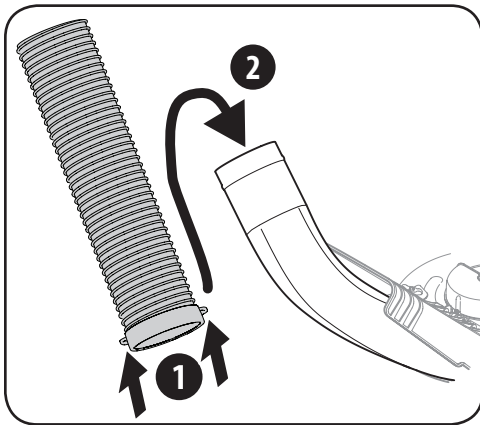


Figura 4-23

3. Asegúrese de que la conexión sea firme y que no haya separaciones entre el tubo del canal y el codo del canal.
4. Si está abierta, cierre la cubierta de la embolsadora antes de cortar el césped.

Uso de la embolsadora

1. Mientras corta el césped, deténgase periódicamente y controle la ventanilla de visualización que está arriba de la tapa del colector de césped. Consulte la Figura 5-1.

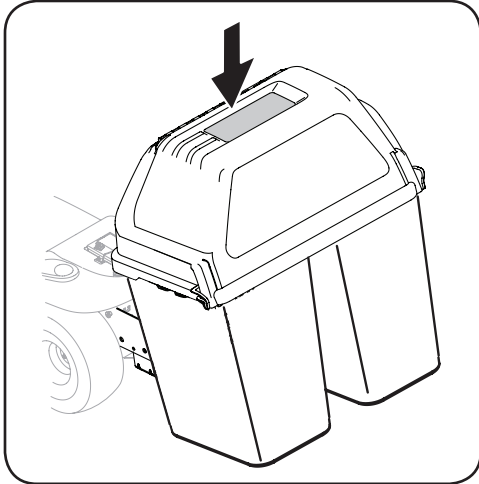


Figura 5-1

NOTA A fin de asegurar una vida útil prolongada y un rendimiento confiable, no permita que las bolsas recolectoras se llenen por encima del borde antes de vaciarlas.

2. Una vez que estén llenas ambas bolsas recolectoras de césped, coloque el tractor en suelo firme y nivelado, desactive la PTO, apague el motor del tractor y ponga el freno de mano.
3. Abra la cubierta de la colector de césped oprimiendo hacia adentro la lengüeta posterior derecha y la lengüeta posterior izquierda, como se ve en 1 de la Figura 5-2, y levantando la cubierta por la parte posterior de la cubierta de la embolsadora, 2. No extraiga del tractor el conjunto de tubo del canal.

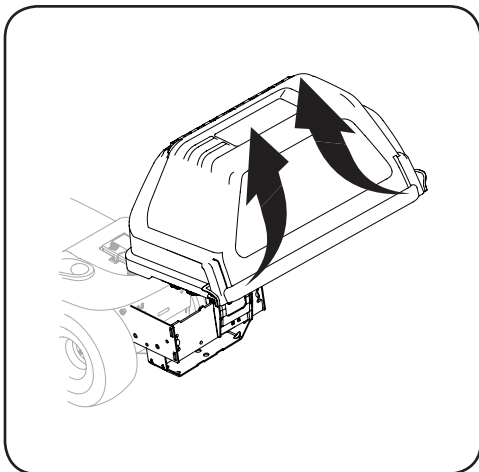


Figura 5-2

4. Retire las bolsas de césped, levantándolas (1 en Figura 5-3) y separándolas del conjunto de soporte de las bolsas (2).

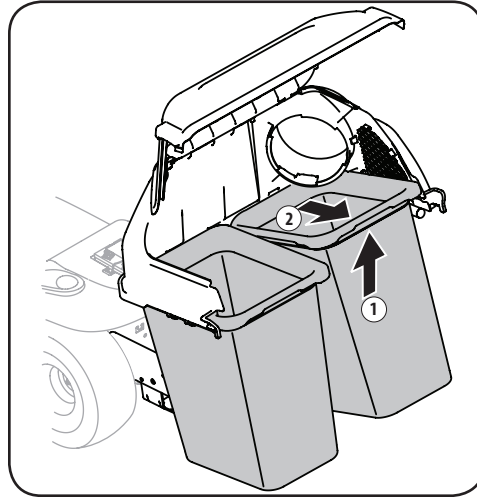


Figura 5-3

5. Vacíe los recortes de pasto en un predio de eliminación adecuado, use la manija del fondo de cada bolsa para césped. Para vaciar el contenido sostenga firmemente la bolsa.
6. Abra la recolectora como se describe en el paso 3 y sujete las bolsas recolectoras de césped de nuevo en su lugar con la misma orientación en la que se extrajeron. Cierre la tapa y vuelva a arrancar el tractor. Retome el corte según sea necesario.
7. Vuelva a ajustar las perillas de aletas periódicamente durante toda la temporada.

MANUEL DE L'UTILISATEUR

Table des matières

Identification du modèle de tracteur	2	Utilisation	10
Consignes de sécurité.....	3	Garantie.....	Document séparé
Contenu et ensembles de quincaillerie.....	5		
Assemblage et installation.....	6		

Bac récupérateur double — Modèles 19A30003OEM et 19A30031100

AVERTISSEMENT

**LISEZ ATTENTIVEMENT LES CONSIGNES DE SÉCURITÉ ET LES INSTRUCTIONS DE CE MANUEL
AVANT D'UTILISER VOTRE ÉQUIPEMENT.**

LE NON-RESPECT DE CES INSTRUCTIONS PEUT ENTRAÎNER DES BLESSURES CORPORELLES.

NOTE : Ce manuel de l'utilisateur se rapporte à plusieurs modèles. Les caractéristiques peuvent varier selon le modèle. Certaines caractéristiques décrites dans ce manuel peuvent ne pas s'appliquer à tous les modèles. Votre équipement peut différer du modèle illustré.

Merci

Nous vous remercions d'avoir acheté ce produit. Ce produit a été soigneusement conçu pour vous offrir une performance remarquable lorsqu'il est correctement utilisé et entretenu.

Veillez lire tout le manuel avant d'utiliser l'équipement. Ce manuel vous indique comment installer, utiliser et entretenir l'équipement facilement et sans danger. Veuillez vous assurer que toute personne qui utilisera l'équipement suivra attentivement et en tout temps les consignes de sécurité énoncées. Le non-respect de ces consignes peut entraîner des blessures corporelles ou des dommages matériels.

Toute l'information contenue dans ce manuel s'appuie sur l'information la plus récente disponible au moment de la publication de ce manuel. Consultez souvent ce manuel afin de vous familiariser avec l'équipement, ses caractéristiques et son fonctionnement. Veuillez noter que ce manuel peut mentionner une vaste gamme de spécifications techniques concernant différents modèles.

Les caractéristiques décrites ou illustrées dans ce manuel peuvent ne pas s'appliquer à tous les modèles. Nous nous réservons le droit de modifier les spécifications du produit, la conception ou l'équipement sans préavis et sans obligation.

En cas de problèmes ou de questions concernant ce produit, adressez-vous au centre de service agréé de votre région ou appelez-nous directement. Consultez le document séparé pour les numéros de téléphone du service à la clientèle, l'adresse Internet et l'adresse postale. Nous désirons assurer votre entière satisfaction en tout temps.

Dans ce manuel, toutes les mentions de droite ou de gauche s'entendent à partir du poste de conduite, à moins d'indications contraires.

Identification du produit

Avant de préparer et d'utiliser votre équipement, veuillez localiser la plaque signalétique et reporter les renseignements dans la section à droite. Repérez la plaque signalétique qui se trouve sur la partie avant gauche du couvercle du bac récupérateur. Ces renseignements sont nécessaires lorsque vous avez besoin d'aide technique soit par l'intermédiaire de notre site Web, soit auprès de notre service à la clientèle ou du centre de service agréé de votre région.

NUMÉRO DE MODÈLE

--	--	--	--	--	--	--	--	--	--	--	--

NUMÉRO DE SÉRIE

--	--	--	--	--	--	--	--	--	--	--	--

Identification du modèle de tracteur

Ce manuel contient les instructions nécessaires pour installer ce bac récupérateur sur différents modèles de tracteurs. Il est important d'identifier le modèle de votre tracteur avant de suivre les instructions des pages suivantes.

NOTE : Lisez attentivement les avertissements, les notes et les déclarations importantes. Ils offrent de l'information concernant la sécurité de l'installateur et de l'utilisateur ainsi que la durée de vie du produit.

NOTE : Toutes mentions de droite ou de gauche s'entendent à partir du poste de conduite. Toutes les mentions de l'avant se rapportent à l'extrémité de la calandre. Toutes les mentions de l'arrière se rapportent à l'extrémité arrière du tracteur.

La plaque signalétique placée sous le siège vous permettra d'identifier le modèle de votre tracteur. Faites basculer le siège vers l'avant pour voir la plaque signalétique. Le numéro de série et le numéro de modèle de 11 caractères sont gravés sur cette plaque. Voir Figure 1-1. Pour référence future, inscrivez le numéro de série et le numéro de modèle ci-dessous :

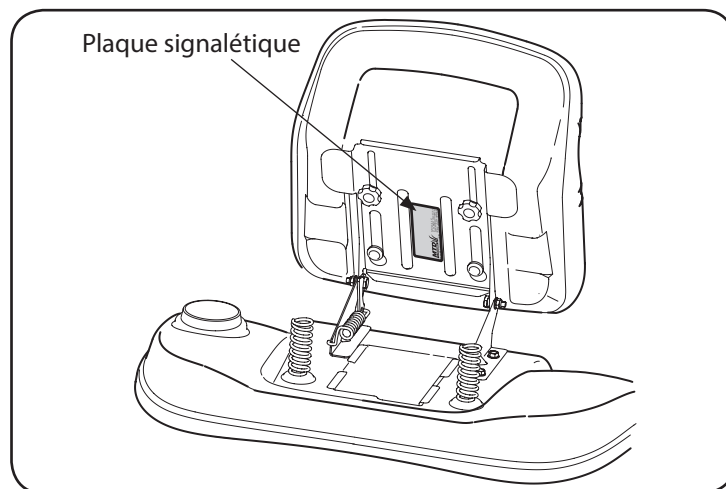


Figure 1-1

Numéro de modèle du tracteur : _____



Numéro de série du tracteur : _____

La série de votre tracteur est identifiée par les 5^e, 6^e et 7^e caractères du numéro de modèle. Voir Figure 1-2.

Assurez-vous d'inscrire ces trois chiffres dans la zone en gris du numéro de modèle.

Après avoir identifié le modèle de votre tracteur, vous pouvez suivre les instructions des pages suivantes qui correspondent à votre modèle pour installer le bac récupérateur.

Exemple de numéro de modèle



1 3 A P **A1C** T 0 0 0

Représente la plate-forme NX-15

Figure 1-2

Consignes de sécurité importantes

2

-  **AVERTISSEMENT !** Ce symbole indique les consignes de sécurité importantes qui, si elles ne sont pas respectées, peuvent mettre en danger votre propre sécurité et celle d'autrui ou entraîner des dommages matériels. Veuillez lire et respecter toutes les instructions du présent manuel avant d'utiliser cet équipement. Le non-respect de ces consignes peut entraîner des blessures corporelles. **RESPECTEZ L'AVERTISSEMENT QUI ACCOMPAGNE CE SYMBOLE !**
-  **DANGER !** Cet équipement a été conçu pour être utilisé selon les consignes de sécurité décrites dans ce manuel. La négligence ou une erreur de la part de l'utilisateur peut entraîner de graves blessures. Cet équipement peut amputer les mains et les pieds et projeter des débris. Le non-respect des consignes de sécurité suivantes ainsi que celles fournies avec votre appareil peut entraîner de graves blessures, voire la mort.

Utilisation générale

1. Veuillez lire, comprendre et suivre toutes les instructions figurant sur l'équipement et dans les manuels avant d'assembler et d'utiliser l'équipement. Conservez ce manuel en lieu sûr pour toute consultation ultérieure ainsi que pour toute commande de pièces de rechange.
2. Afin d'éviter tout contact avec les lames et toute blessure causée par un objet projeté, ne permettez pas aux spectateurs, aux enfants, ni aux animaux de s'approcher à moins de 23 mètres (75 pieds) du tracteur lorsqu'il est en marche. Arrêtez le tracteur si quelqu'un s'approche de la zone de travail.
3. Examinez soigneusement la zone de travail avant d'utiliser le tracteur avec l'accessoire. Ramassez les pierres, les brindilles, les fils, les os, les jouets ainsi que tous les autres objets qui risquent d'être projetés par les lames. Les objets projetés peuvent causer de graves blessures corporelles.
4. Portez toujours des lunettes de sécurité pour protéger vos yeux lorsque vous utilisez le tracteur ou lorsque vous effectuez un réglage ou une réparation. Les objets projetés risquent de ricocher et gravement blesser les yeux.
5. N'utilisez jamais le tracteur si le déflecteur d'éjection ou le bac récupérateur n'est pas installé. Afin d'éviter tout contact avec les lames et toute blessure causée par un objet projeté, assurez-vous que le bac récupérateur et les dispositifs de protection ne sont pas endommagés ou manquants.
6. N'approchez pas vos mains ni vos pieds des pièces en mouvement et ne les placez pas sous le plateau de coupe. Les lames peuvent amputer les mains et les pieds.
7. Arrêtez le moteur du tracteur et attendez que les lames soient immobilisées complètement avant de déboucher l'orifice d'évacuation ou tout autre composant du bac récupérateur.
8. Ralentissez avant d'effectuer un virage. Conduisez doucement. Évitez les manœuvres brusques et l'excès de vitesse. Notez que le bac récupérateur peut affecter la manœuvrabilité du tracteur.
9. Débrayez les lames, engagez le frein de stationnement, arrêtez le moteur et attendez que les lames soient immobilisées avant d'ouvrir le couvercle du bac récupérateur, de retirer le bac récupérateur, de déboucher la goulotte, d'enlever de l'herbe ou des débris ou de faire un réglage quelconque.
10. Ne laissez jamais le tracteur en marche sans surveillance. Débrayez toujours les lames, passez au point mort, engagez le frein de stationnement, arrêtez le moteur et retirez la clé avant de quitter le poste de conduite.

11. Ce tracteur a été conçu pour tondre une pelouse résidentielle ne mesurant pas plus de 25 cm (10 pouces) en hauteur. Ne tondez pas l'herbe très haute, l'herbe sèche (par ex. dans un pré) ou des piles de feuilles sèches. L'herbe ou les feuilles sèches peuvent s'accumuler sous le plateau de coupe, entrer en contact avec le tuyau d'échappement du moteur et provoquer un incendie.
12. En cas de situations qui ne sont pas mentionnées dans ce manuel, soyez prudent et faites preuve de bon sens. Pour obtenir de l'aide, communiquez avec notre service à la clientèle.

Utilisation sur une pente

Les pertes de contrôle et les renversements se produisent souvent sur des pentes et peuvent causer de graves blessures, voire la mort. Cet accessoire peut altérer la stabilité du tracteur. Travailler sur un terrain en pente demande des précautions supplémentaires.

Par mesure de sécurité, utilisez l'inclinomètre fourni dans ce manuel pour mesurer la pente du terrain avant de commencer à y travailler. Si, selon l'inclinomètre, la pente est supérieure à 10°, n'utilisez pas le tracteur sur cette pente afin d'éviter de graves blessures.

À faire :

1. Travaillez en remontant et en descendant la pente, et non à travers la pente. Faites très attention lorsque vous changez de direction sur une pente.
2. Faites attention aux trous, aux ornières, aux bosses, aux roches et à tout autre objet non visible. Le tracteur peut se renverser sur un terrain accidenté. Les herbes hautes peuvent cacher des obstacles.
3. Conduisez lentement. Utilisez une vitesse suffisamment lente pour ne pas avoir à vous arrêter ou à changer de vitesse sur une pente. Les pneus risquent de manquer de traction sur une pente, même si les freins fonctionnent correctement. Gardez toujours la transmission engagée lorsque vous descendez une pente pour profiter du freinage par compression du moteur.
4. Suivez les recommandations du fabricant quant aux poids pour roues et contrepoids à utiliser pour améliorer la stabilité du tracteur.
5. Déplacez-vous lentement et progressivement sur une pente. Ne changez pas de vitesse ou de direction brusquement. Une accélération ou un freinage brusque peut faire soulever l'avant du tracteur et faire basculer l'appareil vers l'arrière, ce qui peut entraîner de graves blessures.
6. Évitez de démarrer ou de vous arrêter sur une pente. Si les pneus n'adhèrent pas bien au sol, débrayez les lames et descendez la pente lentement en ligne droite.

À ne pas faire :



1. Ne faites pas de virage sur une pente. Si absolument nécessaire, faites un virage lentement et prudemment en descendant la pente.
2. Ne tondez pas près d'une falaise, d'un fossé ou d'un remblai. Le tracteur peut se renverser soudainement si une roue franchit le bord d'une falaise ou d'un fossé, ou si ce bord cède sous son poids.
3. N'essayez pas de stabiliser le tracteur en mettant votre pied au sol.
4. N'utilisez pas de bac récupérateur sur une pente abrupte.
5. Ne tondez pas l'herbe mouillée. La traction réduite peut causer un glissement et une perte de contrôle.

Entretien général

1. Avant de nettoyer, de réparer ou d'examiner le tracteur, vérifiez que toutes les pièces mobiles, y compris les lames, sont immobilisées. Débranchez le fil de bougie et mettez-le à la masse contre le moteur pour empêcher un démarrage accidentel.
2. Assurez-vous que tous les écrous, les boulons et les vis sont bien serrés pour que l'équipement soit toujours en bon état de fonctionnement.
3. N'altérez jamais le système de verrouillage de sécurité ni tout autre dispositif de sécurité. Vérifiez régulièrement qu'ils sont en bon état de fonctionnement.
4. N'essayez jamais d'effectuer un réglage ou une réparation pendant que le moteur est en marche.
5. Les composants du bac récupérateur et le couvercle d'éjection peuvent s'user et être endommagés et, par conséquent, exposer les pièces mobiles ou projeter des débris. Par mesure de sécurité, vérifiez souvent ces composants et remplacez-les, selon le besoin, par des pièces d'origine. L'emploi de pièces non conformes aux spécifications du matériel d'origine pourrait entraîner un mauvais rendement et compromettre la sécurité !
6. Prenez soin des étiquettes de sécurité et d'instructions. Remplacez-les au besoin.

Symboles de sécurité

Ce tableau illustre et explique les symboles de sécurité qui peuvent se trouver sur cet équipement. Veuillez lire, comprendre et suivre toutes les instructions des étiquettes figurant sur l'équipement avant de l'utiliser.

Symbole	Description
	MANUEL(S) DE L'UTILISATEUR Veuillez lire, bien comprendre et suivre toutes les instructions du manuel avant d'assembler et d'utiliser l'équipement.
	ARRÊT (STOP) Arrêtez le moteur avant d'ouvrir le couvercle du bac récupérateur.

Inclinomètre

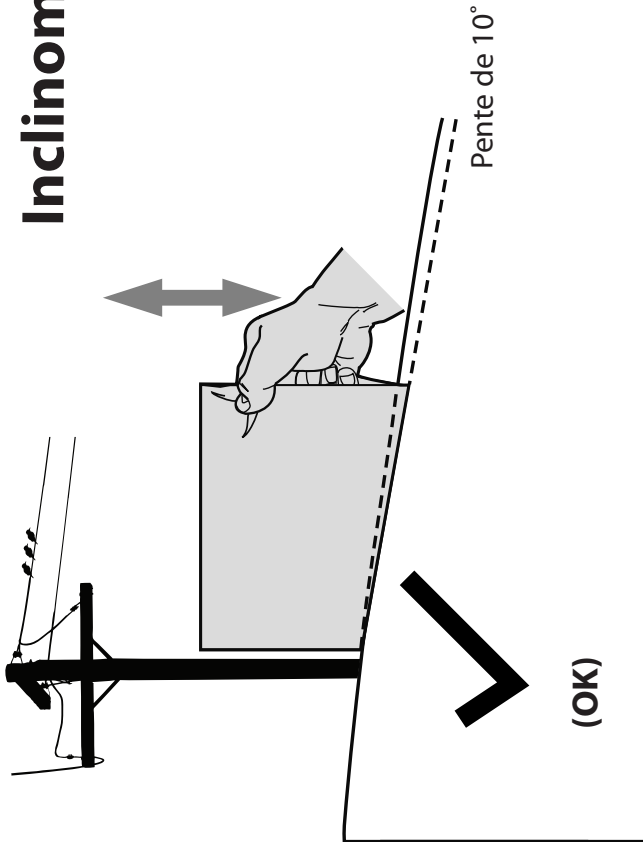


Figure 1

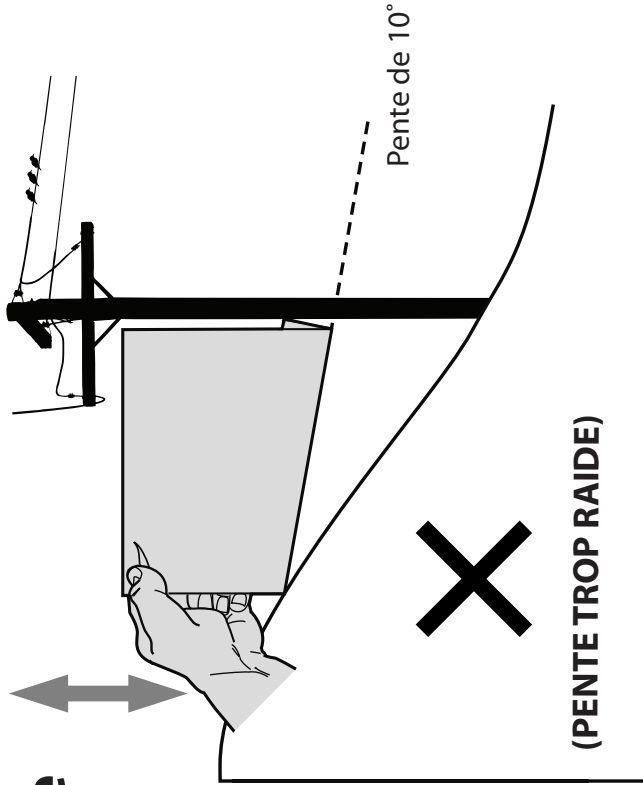


Figure 2

Ligne pointillée représentant une pente de 10°

Pour une utilisation sans danger, utilisez cet inclinomètre afin d'établir si la pente est trop raide!

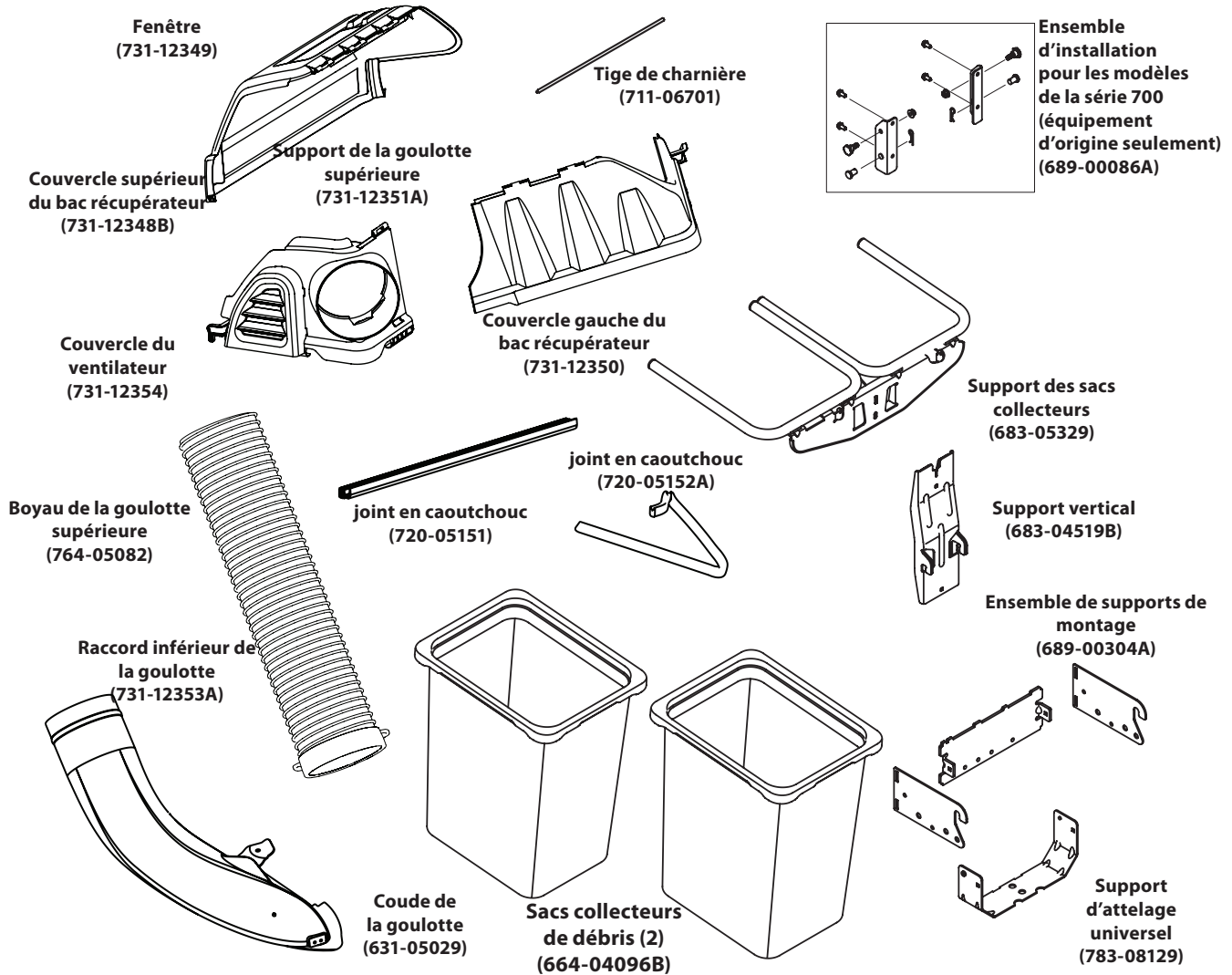
Pour vérifier l'angle de la pente, procédez comme suit :

1. Enlevez cette page et pliez-la en suivant la ligne pointillée.
2. Repérez un objet vertical sur la pente ou à l'arrière de la pente (par exemple, un poteau, un bâtiment, une clôture, un arbre, etc.).
3. Alignez un côté de l'inclinomètre avec l'objet (consultez les figures 1 et 2).
4. Réglez l'inclinomètre vers le haut ou vers le bas jusqu'à ce que le coin gauche touche la pente (voir Figure 1 et Figure 2).
5. S'il y a un écart sous l'inclinomètre, la pente est trop raide.



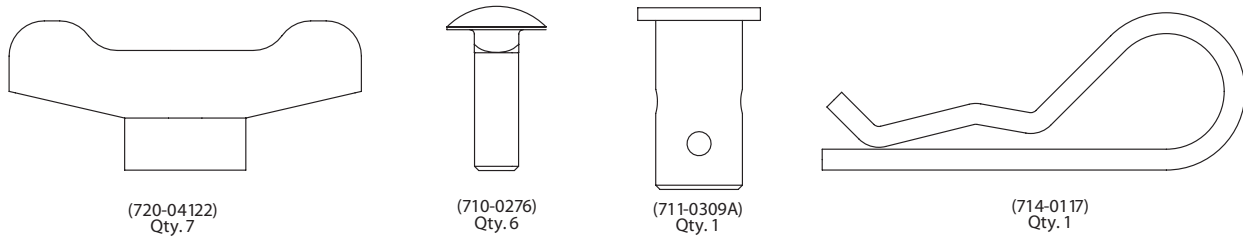
AVERTISSEMENT ! Les renversements se produisent souvent sur des pentes et peuvent causer de graves blessures, voire la mort. N'utilisez pas cet équipement sur des pentes supérieures à 10 degrés. Travailler sur un terrain en pente demande des précautions supplémentaires. Si vous ne pouvez pas reculer sur la pente ou si vous ne vous sentez pas à l'aise de le faire, n'y travaillez pas. Travaillez toujours en remontant et en descendant la pente, et non à travers la pente.

Avant de commencer l'installation, vérifiez que vous avez toutes les pièces nécessaires. Le contenu de la boîte est précisé ci-dessous. L'ensemble du bac récupérateur comprend l'ensemble de quincaillerie 689-00312 et un ensemble de quincaillerie qui est emballé avec l'ensemble de supports de montage.



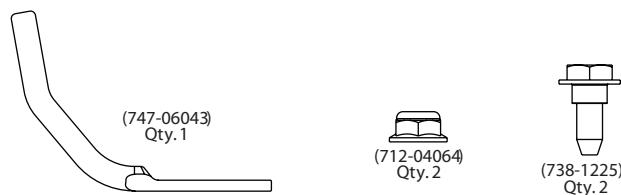
Ensemble de quincaillerie 689-00312

Por favor, compruebe su hardware por las siguientes ilustraciones. La cantidad de cada se muestra a continuación.



Ensemble de quincaillerie 689-00636

Por favor, compruebe su hardware por las siguientes ilustraciones. La cantidad de cada se muestra a continuación.



Tracteurs de la série 700

Vous devez utiliser les supports de montage fournis lorsque vous installez le bac récupérateur sur un tracteur de la série 700. Si vous installez le bac récupérateur sur tout autre modèle de tracteur, ignorez ces étapes et passez à la section *Assemblage des supports de montage*. Consultez la page 3 de ce manuel pour déterminer le modèle de votre tracteur.

Pour installer ces supports sur un tracteur de la série 700, suivez les instructions ci-dessous :

1. S'ils n'ont pas déjà été installés en usine, installez un boulon à épaulement de l'ensemble de quincaillerie sur chaque support et fixez-les avec les écrous autobloquants à bride de l'ensemble de quincaillerie. Voir Figure 4-1.
2. Si la quincaillerie est déjà installée sur les supports, retirez les axes de chape et les attaches et conservez-les pour une utilisation ultérieure. Voir Figure 4-1.

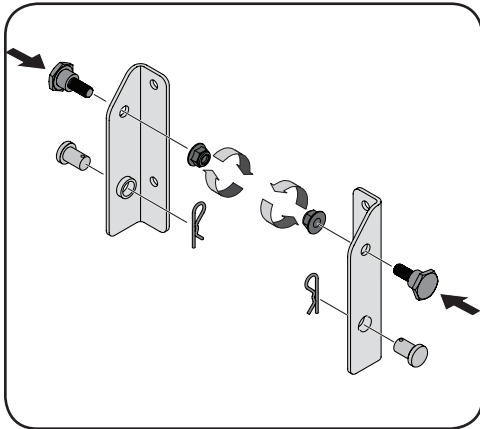


Figure 4-4

3. Installez les supports de montage fournis pour les tracteurs de la série 700 avec quatre vis autotaraudeuses de l'ensemble de quincaillerie. Voir Figure 4-2.

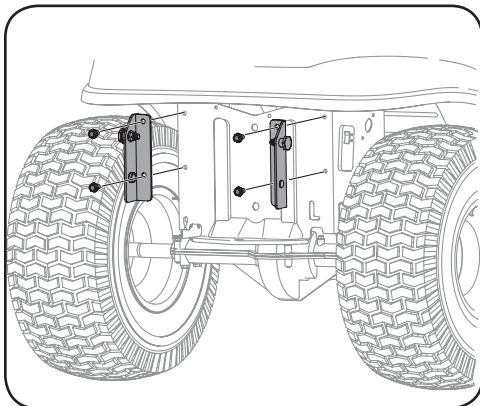


Figure 4-5

Assemblage des supports de montage

Repérez l'ensemble de supports de montage, puis suivez les instructions d'assemblage ci-dessous :

1. Fixez les deux supports de montage latéraux au support de montage arrière à l'aide de deux boulons de carrosserie (710-0276) et deux écrous papillons (720-04122) de l'ensemble de quincaillerie 689-00312.

NOTE : Les crochets sur les supports latéraux doivent pointer vers le bas et les languettes sur le support arrière doivent pointer vers le haut. Voir Figure 4-3.

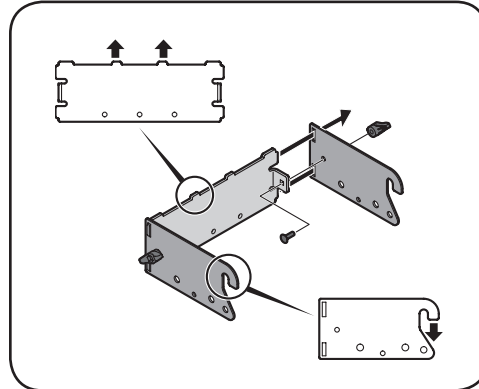


Figure 4-6

2. Retournez l'ensemble de montage et installez-le sur le support d'attelage. Voir Figure 4-4.

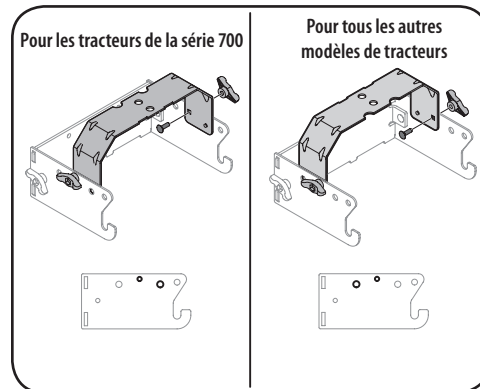


Figure 4-7

NOTE : Il est conseillé de ne pas trop serrer la quincaillerie pour pouvoir facilement aligner l'axe de chape avec le trou du support d'attelage. Vous aurez à serrer la quincaillerie plus tard (vous trouverez les instructions plus loin dans cette section).

NOTE : Les trous les plus rapprochés des crochets sont utilisés pour l'installation des supports sur les tracteurs de la série 700 alors que les trous les plus rapprochés du côté opposé sont utilisés pour l'installation des supports sur les autres modèles. Le support de montage doit être retourné pour qu'il soit possible de l'aligner sur les trous appropriés (selon le modèle de tracteur). Voir Figure 4-4.

Installation de l'ensemble de supports (pour tous les autres modèles de tracteurs)

Installez l'ensemble de supports sur les tracteurs de la série 900 comme suit :

1. Placez les crochets de l'ensemble de montage sur les boulons à épaulement qui se trouvent à l'arrière du châssis du tracteur. Voir Figure 4-5. Alignez le trou d'attelage du tracteur avec le trou central du support d'attelage.

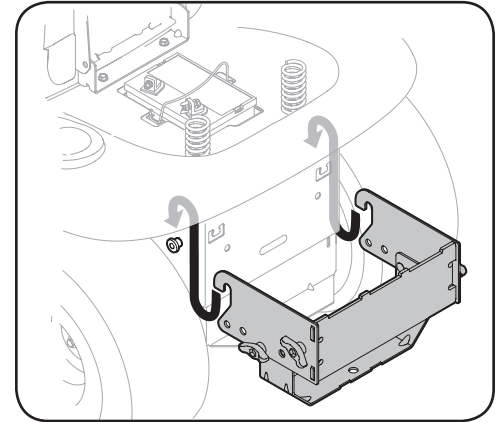


Figure 4-8

2. Insérez l'axe de chape (711-0309A) de l'ensemble de quincaillerie 689-00312 dans le trou d'attelage du tracteur, puis fixez-le avec une goupille fendue (714-0117). Voir Figure 4-6.

NOTE : Vous pouvez insérer l'axe de chape vers le bas à travers la plaque d'attelage en fixant la goupille fendue sous la plaque ou vous pouvez insérer l'axe de chape vers le haut à travers la plaque en fixant la goupille au-dessus de la plaque. Insérez la goupille dans le trou supérieur le plus près de la tête de l'axe de chape. Poussez l'axe de chape pour accéder au trou.

IMPORTANT ! Serrez bien la quincaillerie si vous ne l'avez pas déjà fait lors de l'assemblage précédent.

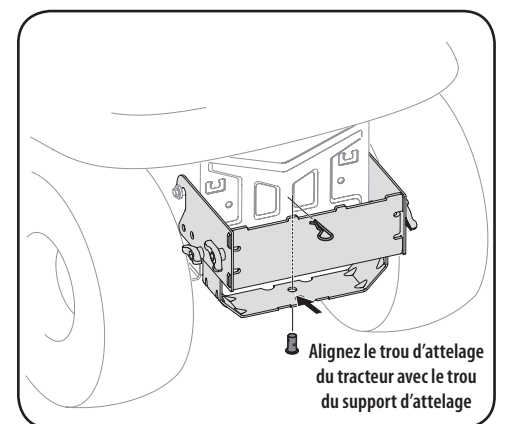


Figure 4-9

Installation de l'ensemble de supports (pour les tracteurs de la série 700)

1. Placez les crochets de l'ensemble de montage sur les boulons à épaulement des supports de montage installés sur le tracteur. Voir Figure 4-7. Alignez le trou d'attelage du tracteur avec le trou central du support d'attelage.

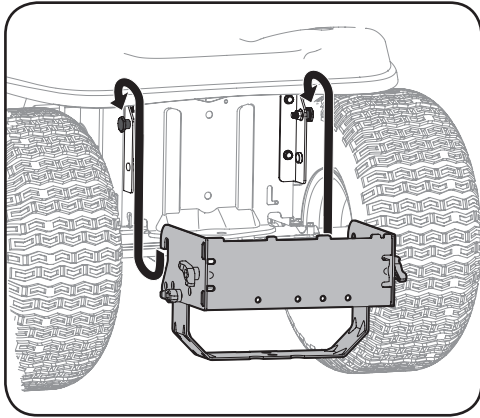


Figure 4-10

2. Insérez l'axe de chape (711-0309A) de l'ensemble de quincaillerie 689-00312 dans le trou d'attelage du tracteur, puis fixez-le avec une goupille fendue (714-0117). Voir Figure 4-8.

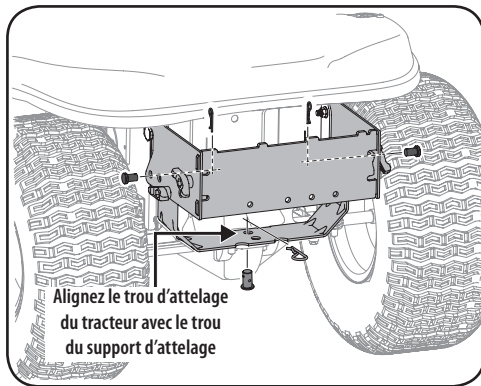


Figure 4-11

NOTE : Vous pouvez insérer l'axe de chape vers le bas à travers la plaque d'attelage en fixant la goupille fendue sous la plaque ou vous pouvez insérer l'axe de chape vers le haut à travers la plaque en fixant la goupille au-dessus de la plaque. Insérez la goupille dans le trou supérieur le plus près de la tête de l'axe de chape. Poussez l'axe de chape pour accéder au trou.

3. Insérez deux axes de chape dans l'ensemble de supports et fixez les supports de montage installés sur le tracteur de la série 700 avec deux goupilles à cliquet fournies avec l'ensemble de quincaillerie. Voir Figure 4-8.

IMPORTANT ! Serrez bien la quincaillerie si vous ne l'avez pas déjà fait lors de l'assemblage précédent.

Installation du support des sacs collecteurs

1. Installez le support vertical sur l'ensemble de montage du tracteur en l'accrochant sur le support de montage transversal. Voir Figure 4-9.
2. Alignez le support vertical avec le trou « B ». Voir Figure 4-9.

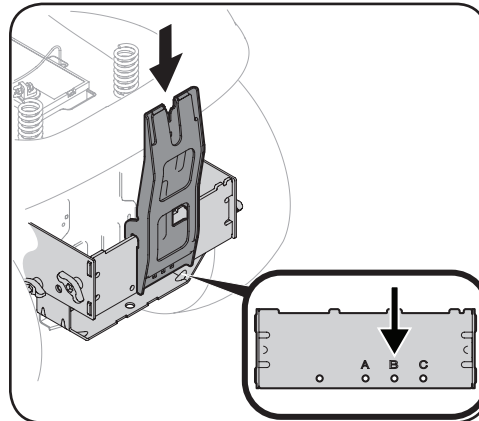


Figure 4-12

3. Fixez le support vertical à l'ensemble de montage avec un boulon de carrosserie (710-0276) et un écrou papillon (720-04122) de l'ensemble de quincaillerie 689-00312. Voir Figure 4-10.

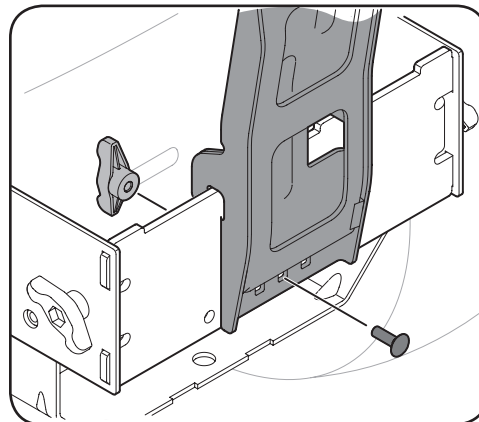


Figure 4-13

4. Fixez le support des sacs collecteurs au support vertical avec un boulon de carrosserie (710-0276) et un écrou papillon (720-04122) de l'ensemble de quincaillerie 689-00312. Voir Figure 4-11.

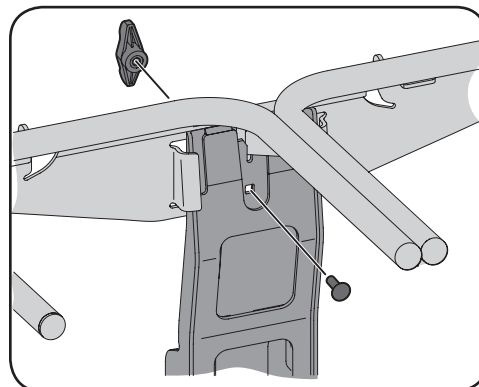


Figure 4-14

Assemblage des autres composants du bac récupérateur

Après avoir installé les supports de montage sur le tracteur, suivez les étapes ci-dessous pour assembler les autres composants du bac récupérateur.

1. Inclinez le support de la goulotte supérieure légèrement vers l'avant et faites enclencher la partie avant du support sur le support des sacs collecteurs. Voir Figure 4-12 (1). Placez l'attache derrière la patte.
2. Faites enclencher la partie latérale du support de la goulotte supérieure sur le support de sacs collecteurs. Voir Figure 4-12 (2).

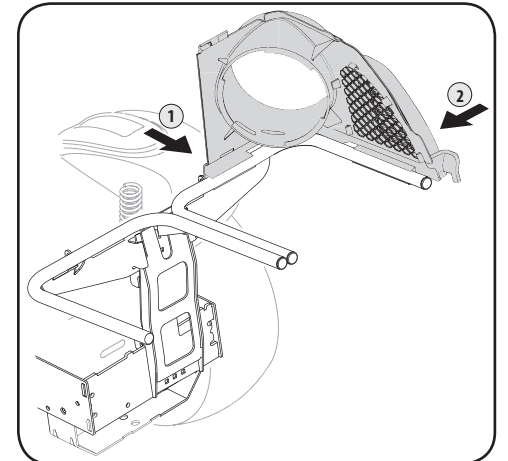


Figure 4-15

3. Faites glisser le couvercle gauche du bac récupérateur dans le support de la goulotte supérieure et installez-le sur le support des sacs collecteurs. Faites enclencher les deux pattes sur la partie avant du support de la goulotte supérieure. Voir Figure 4-13 (1). Faites enclencher les éléments de fixation sur la barre gauche du support des sacs collecteurs. Voir Figure 4-13 (2).

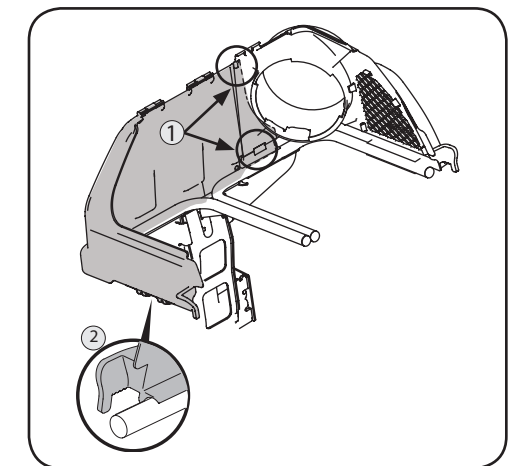


Figure 4-16

4. S'il n'est pas déjà installé, appliquer les joints (720-05151) et (720-05152A) à la face inférieure du capot supérieur (731-12348A) comme illustré ci-dessous. Voir la figure 4-14.

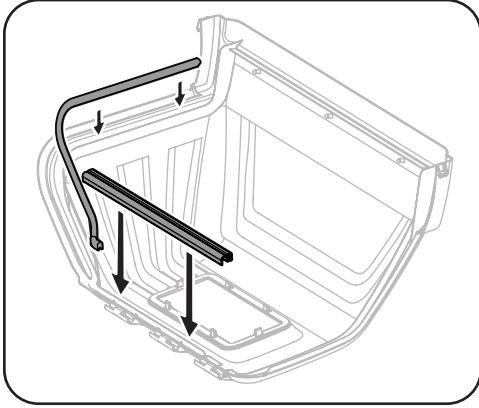


Figure 4-17

5. Faites aligner les encoches du couvercle supérieur du bac récupérateur avec les encoches à l'avant du support de la goulotte supérieure. Insérez la tige de charnière dans les fentes du côté droit du support de la goulotte supérieure. Voir Figure 4-15. Poussez la tige de charnière jusqu'au bout.

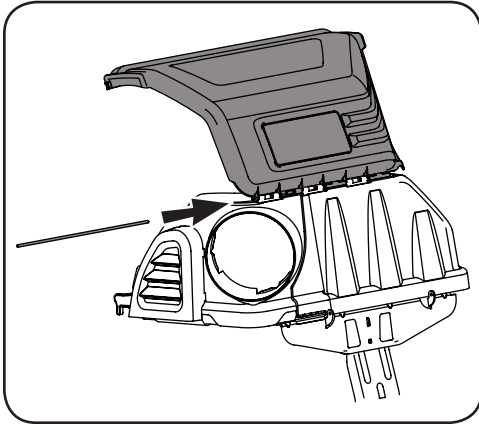


Figure 4-18

NOTE : La tige de charnière s'enclenche en place et est fixée par une encoche de chaque côté du couvercle du bac récupérateur.

6. Basculez le couvercle supérieur du bac récupérateur vers le bas pour le fermer. Poussez l'encoche arrière gauche et l'encoche arrière droite pour les verrouiller en place de chaque côté. Assurez-vous que le couvercle est bien ajusté. Voir Figure 4-16.

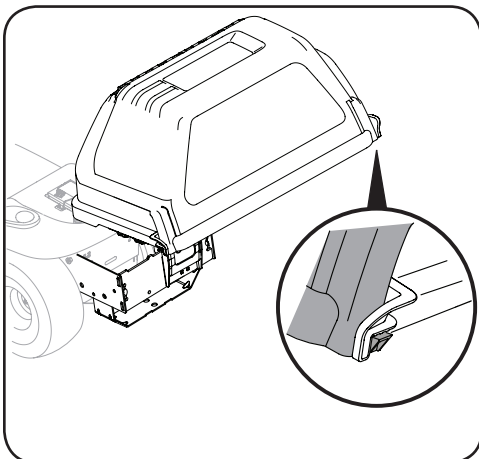


Figure 4-19

7. Ouvrez le couvercle du bac récupérateur en appuyant sur les encoches et en soulevant le couvercle supérieur. Voir Figure 4-17.

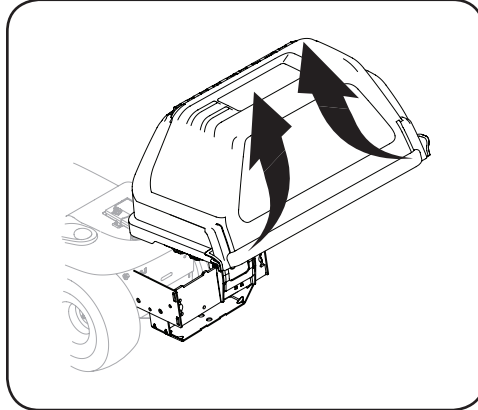


Figure 4-20

8. Installez les sacs collecteurs d'herbe sur leur support en insérant d'abord la partie avant du sac collecteur, puis la partie arrière jusqu'à ce que chaque sac soit correctement placé sur son support. Voir Figure 4-18.

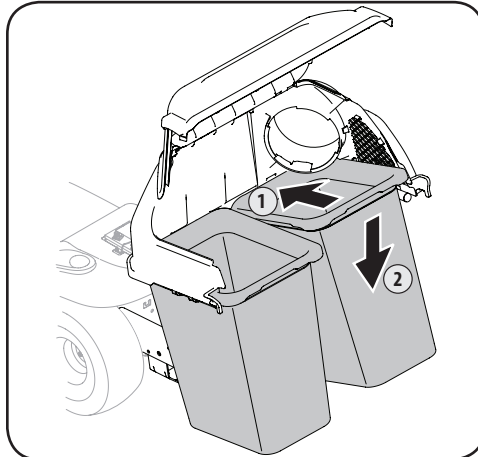


Figure 4-21

Installation du déflecteur d'éjection

1. Installez le support de tige de la botte (747-06043) sur la chaussure à l'aide de 2 vis à épaulement (738-1225) et de 2 écrous de fixation (712-04064) du kit de quincaillerie 689-00636. Assurez-vous que les vis à épaulement (738-1225) sont installées à l'intérieur de la chaussure. Voir Figure 4-19.

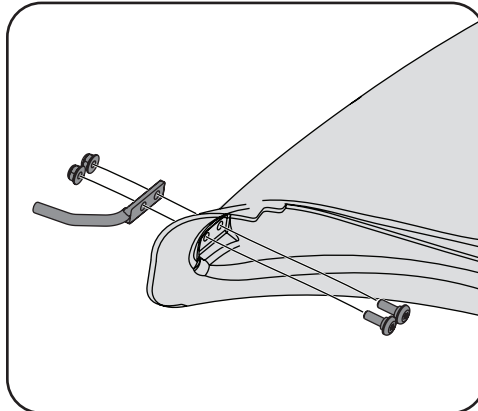


Figure 4-22

2. Relevez le déflecteur d'éjection et tenez-le (1), puis installez le coude de la goulotte en insérant la tige de montage dans le trou approprié du support de roue ou de la patte de montage de la goulotte (2). Voir Figure 4-20.

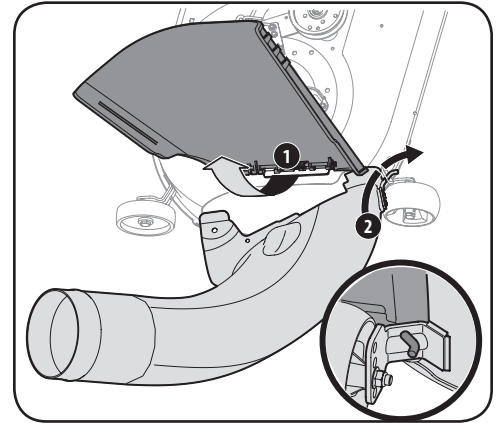


Figure 4-23

3. Fixez le coude de la goulotte au plateau de coupe avec un écrou papillon (720-04122) de l'ensemble de quincaillerie 689-00312. Voir Figure 4-21.

NOTE : Retirez le capuchon protecteur (si présent) du goujon de montage sur le plateau de coupe. Voir Figure 4-21.

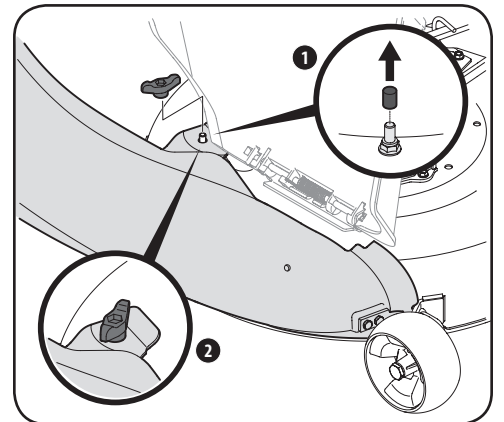


Figure 4-24

! Assurez-vous que le dessous de la goulotte est bien placé sur le rebord de l'ouverture du plateau de coupe. Voir Figure 4-22.

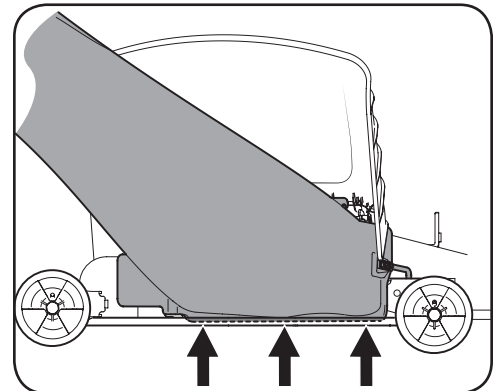


Figure 4-25

Installation de la goulotte supérieure

1. Installez la partie supérieure du boyau de la goulotte dans le support de la goulotte supérieure. Il y a deux encoches à l'intérieur de la partie inférieure du support de la goulotte supérieure qui servent à fixer le boyau de la goulotte. Voir Figure 4-23.

NOTE : Le boyau de la goulotte et le support de la goulotte supérieure ont un filetage vers la gauche. Tournez le boyau dans le sens anti-horaire jusqu'à ce qu'il soit bien fixé en place.

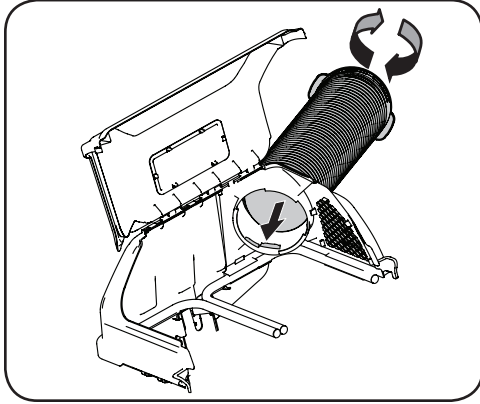


Figure 4-26

2. Saisissez le boyau de la goulotte par les poignées sur la partie inférieure. Placez le boyau de la goulotte par-dessus le coude de la goulotte installé sur le plateau de coupe. Voir Figure 4-24.

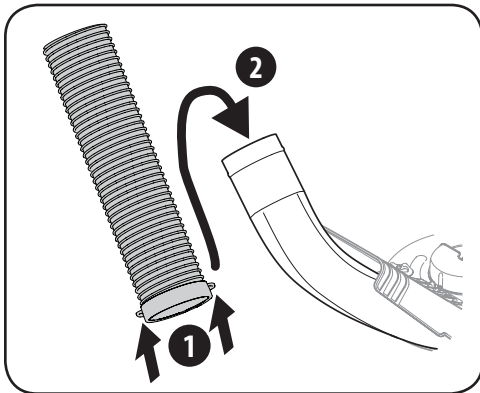


Figure 4-27

3. Vérifiez que le boyau est bien installé et qu'il n'y a pas d'ouverture entre le boyau de la goulotte et le coude de la goulotte.
4. Avant de commencer à travailler, fermez le couvercle du bac récupérateur s'il est ouvert.

Utilisation du bac récupérateur

1. Pendant l'utilisation, arrêtez le tracteur et observez régulièrement la fenêtre sur le couvercle du bac récupérateur. Voir Figure 5-1.

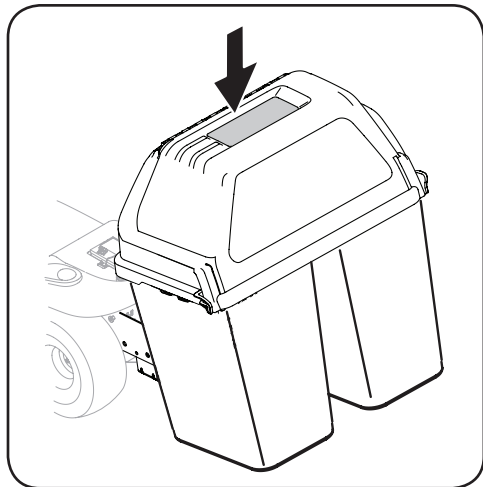


Figure 5-1

NOTE : Pour prolonger la durée de vie des sacs collecteurs et assurer une performance optimale, videz les sacs avant qu'ils soient remplis.

2. Lorsque les sacs collecteurs sont remplis, stationnez le tracteur sur une surface solide et plane, débrayez la prise de force, arrêtez le moteur et engagez le frein de stationnement.
3. Soulevez le couvercle du bac récupérateur en pressant sur l'encoche arrière droite et sur l'encoche arrière gauche (1) et en soulevant la partie arrière du couvercle (2). Voir Figure 5-2. Ne retirez pas le boyau de la goulotte.

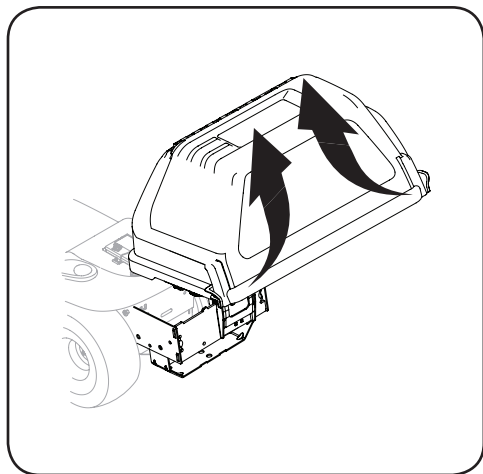


Figure 5-2

4. Pour retirer les sacs collecteurs, soulevez chaque sac (1) et retirez-le du support (2). Voir Figure 5-3.

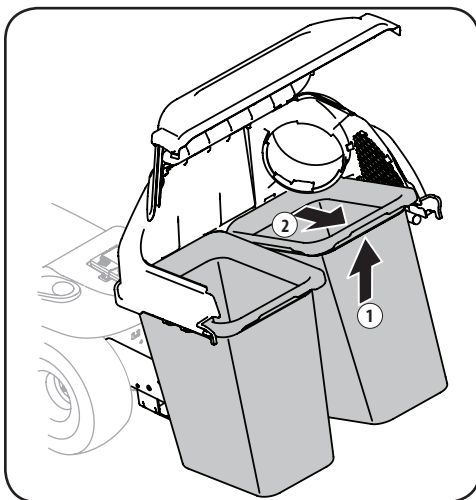


Figure 5-3

5. Tenez les sacs fermement par leur poignée (située sous le sac) et videz le contenu dans un endroit approprié.
6. Ouvrez le couvercle du bac récupérateur comme indiqué à l'étape 3, puis fixez les sacs collecteurs en place. Fermez le couvercle et démarrez le tracteur pour continuer à couper l'herbe.
7. Serrez tous les écrous papillon régulièrement au cours de la saison.

